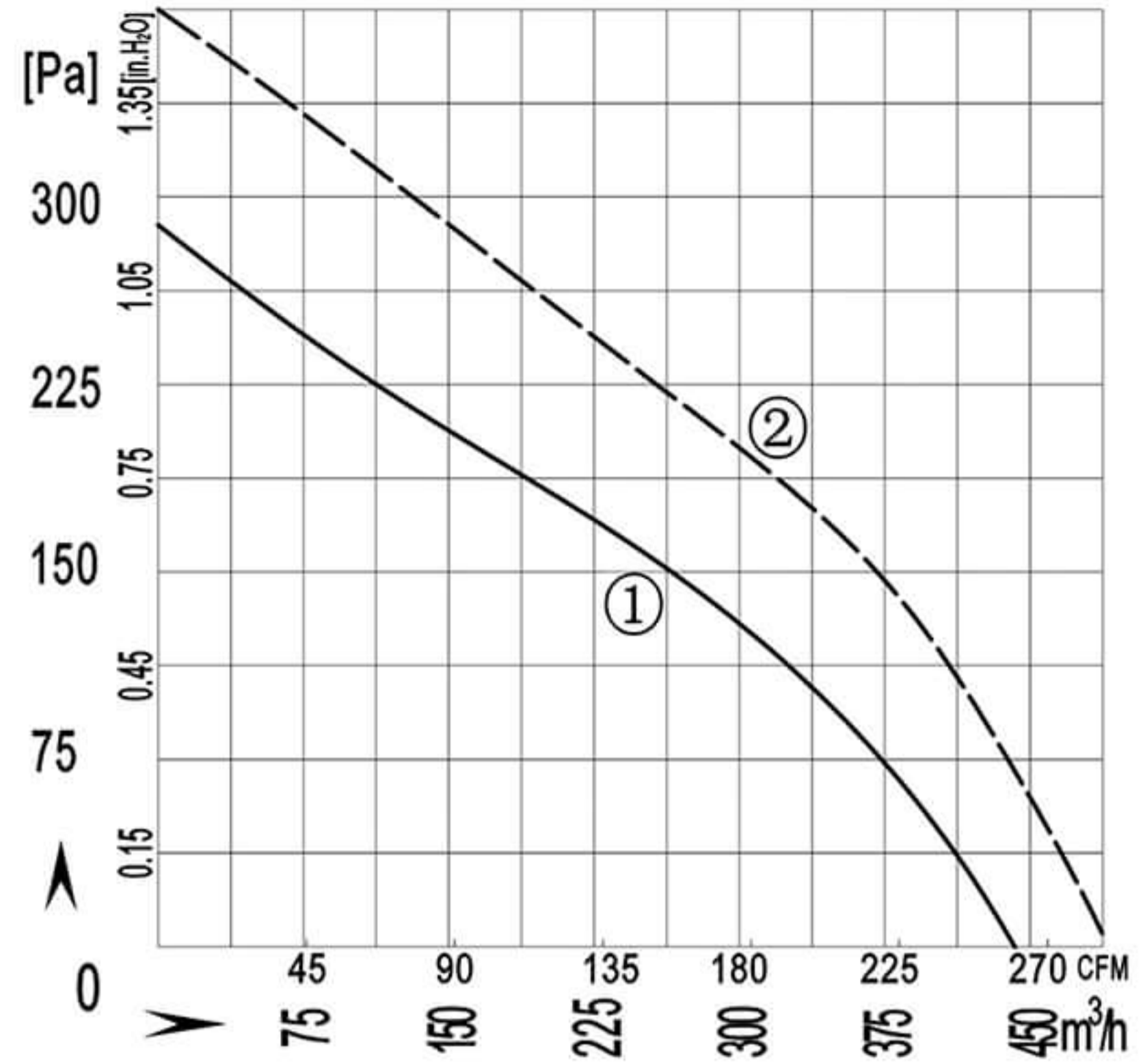
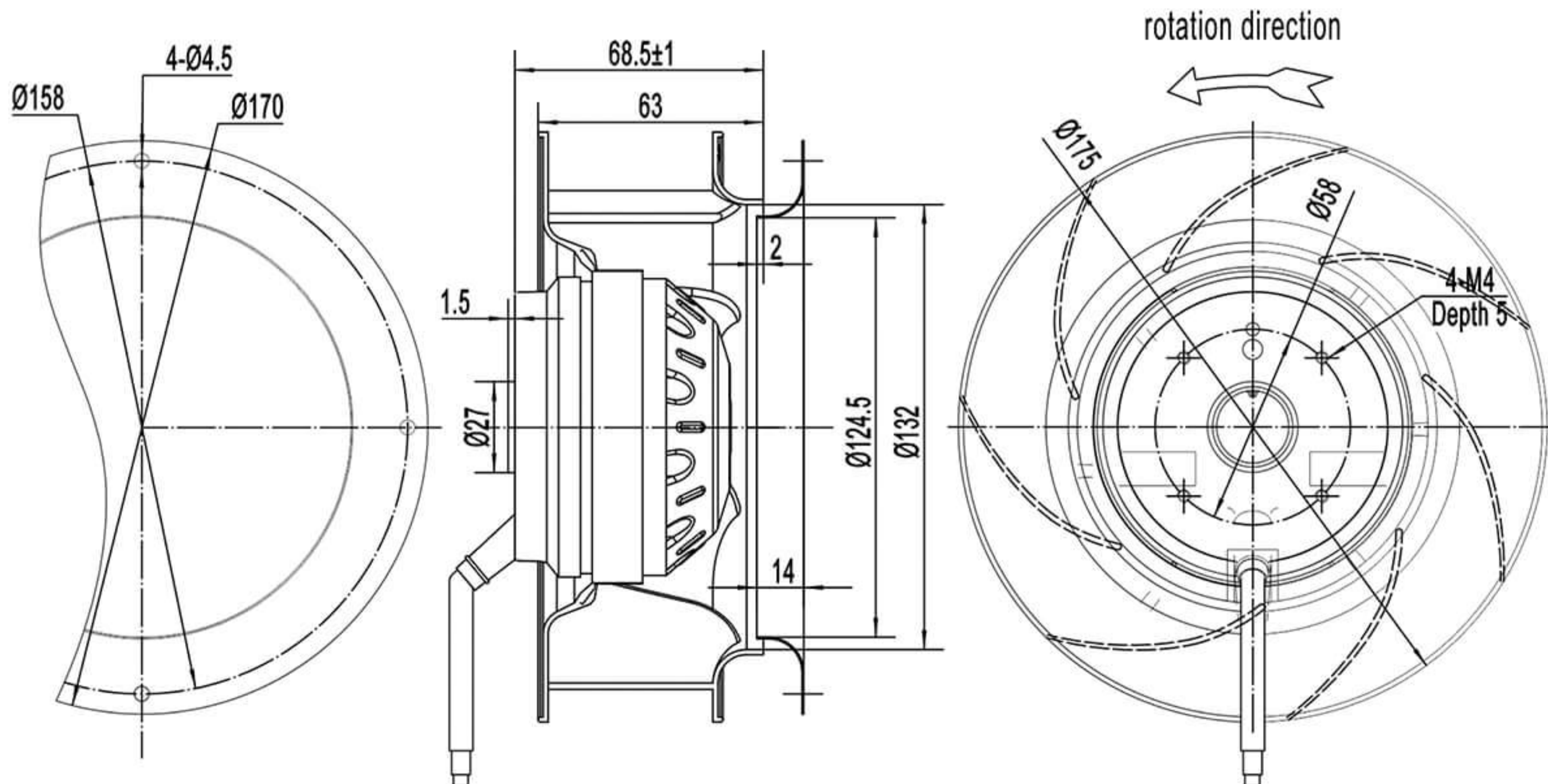


# 175-63 Backward Centrifugal Fan

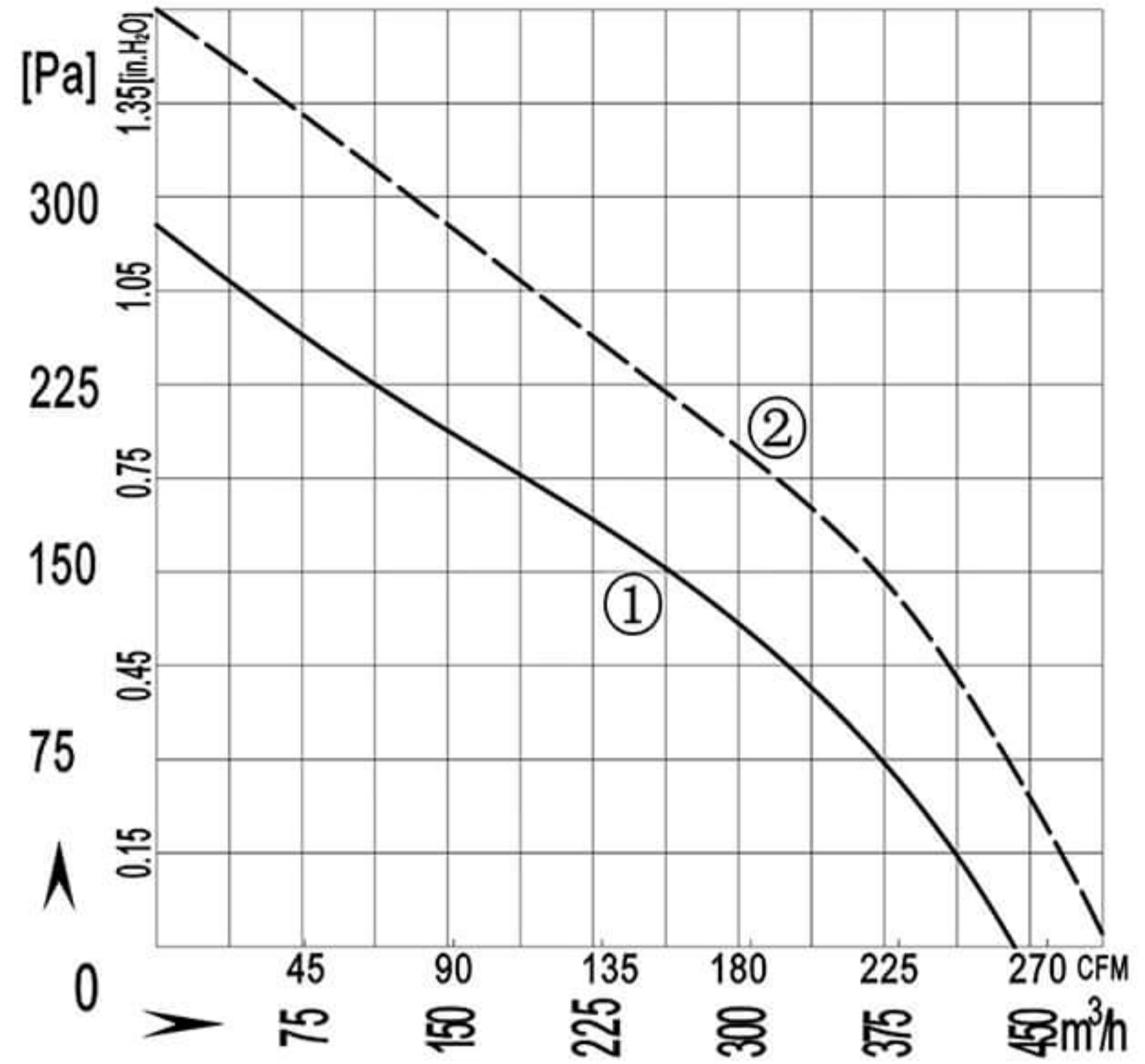


Impeller material: Plastic PA66  
 Protection Class: IP44  
 Approvals: CCC CE  
 Insulation class: F

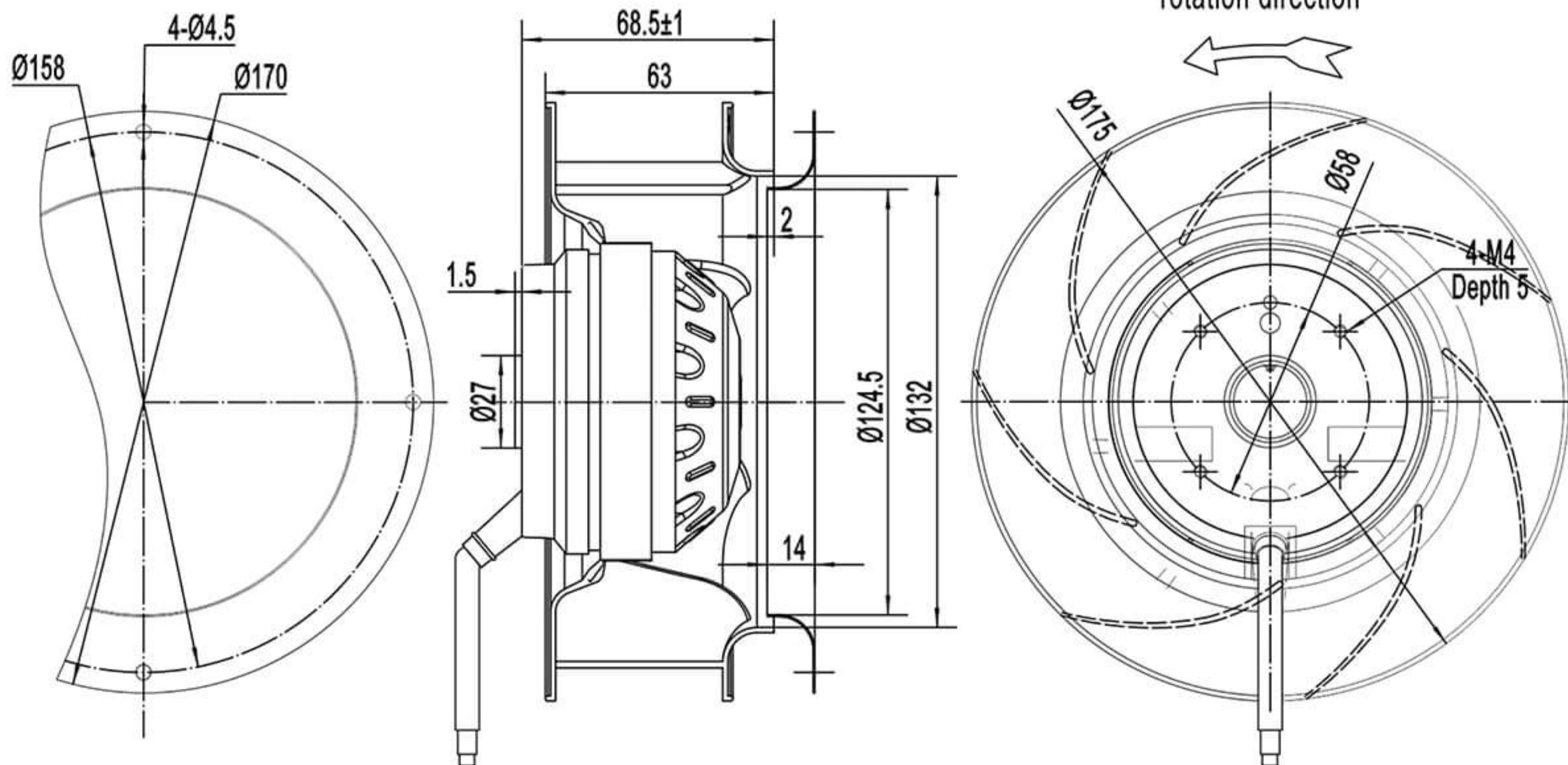


	Voltage V	Frequency Hz	Current A	Input Power W	Speed rpm	Capacitor µF	Air Flow m3/h / CFM	Noise dB(A)	Temperature Min / Max(°C)	Curve No. #	Approvals
<b>BMF175-063A-AA00</b>	220/230	50	0.24	52	2500	1.5	430 / 253	64	-30 / +60	①	CCC ,CE,RoHS
	220/230	60	0.32	66	2700	1.5	490 / 288	66	-30 / +60	②	CCC ,CE,RoHS

# 175-63 Backward Centrifugal Fan

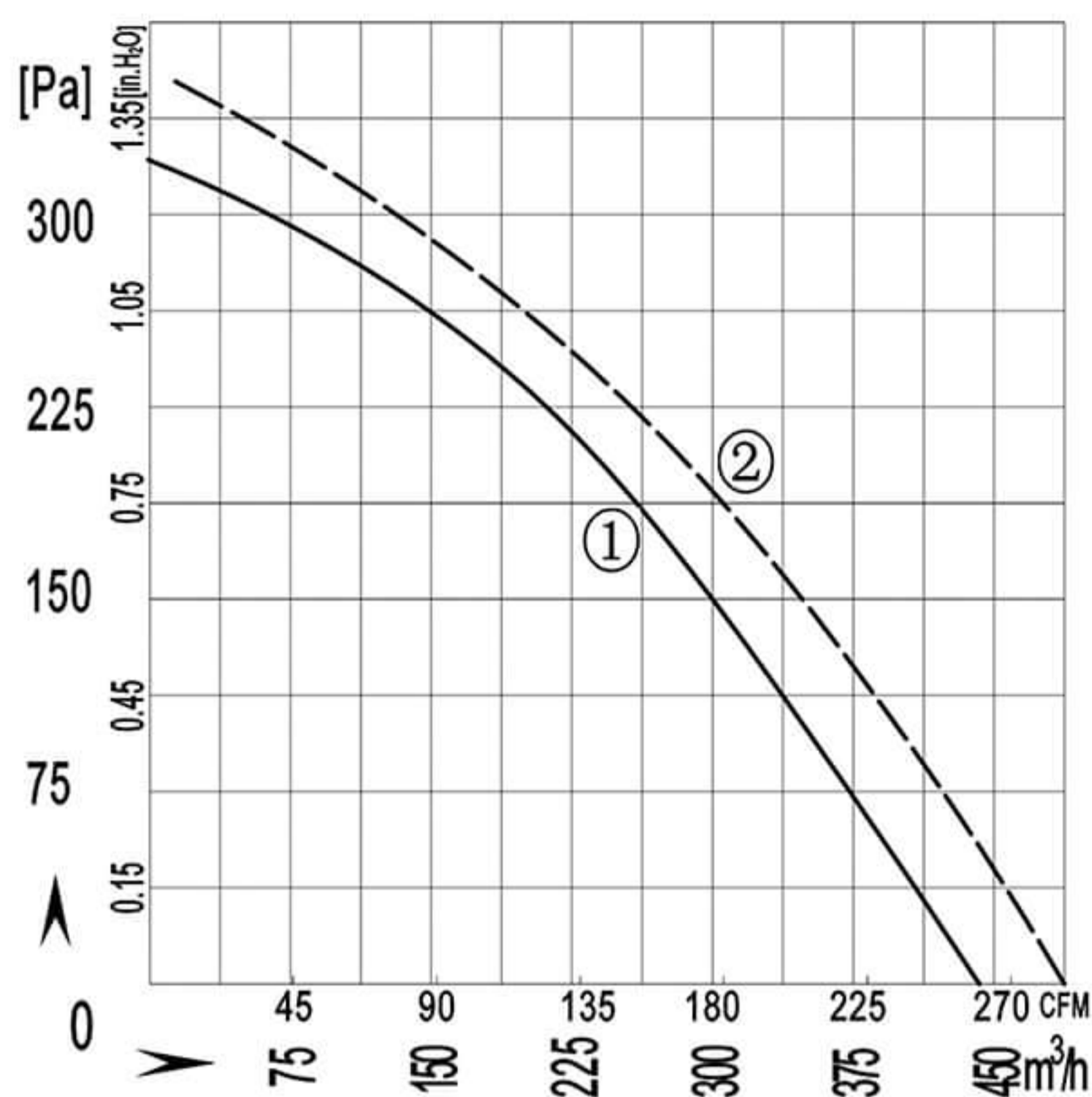


Impeller material: Plastic PA66  
 Protection Class: IP44  
 Approvals: CCC CE  
 Insulation class: F

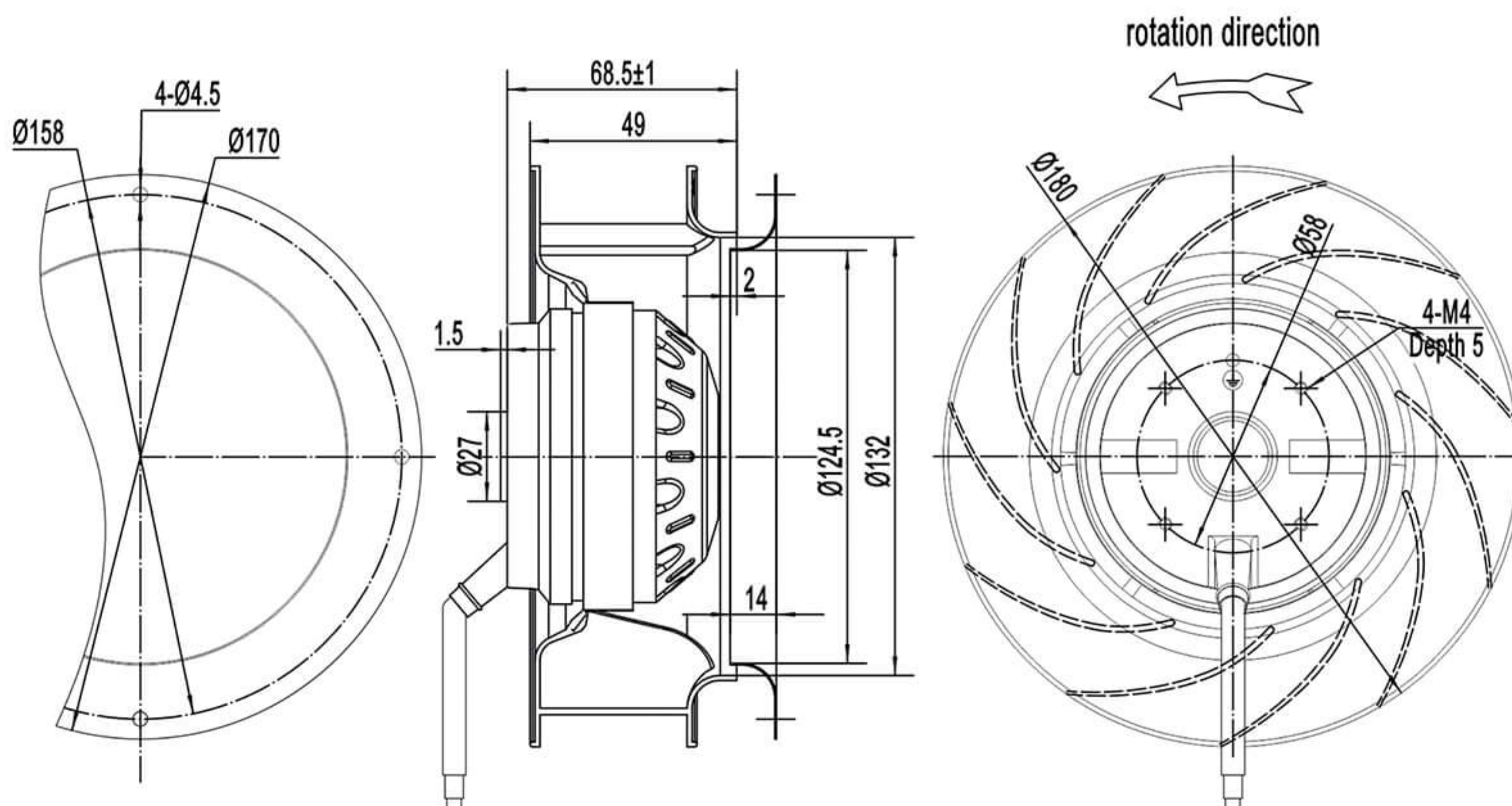


	Voltage V	Frequency Hz	Current A	Input Power W	Speed rpm	Capacitor µF	Air Flow m3/h / CFM	Noise dB(A)	Temperature Min / Max(°C)	Curve No. #	Approvals
BMF175-063A-AA00	220/230	50	0.24	52	2500	1.5	430 / 253	64	-30 / +60	①	CCC ,CE,RoHS
	220/230	60	0.32	66	2700	1.5	490 / 288	66	-30 / +60	②	CCC ,CE,RoHS

# 180-49 Backward Centrifugal Fan

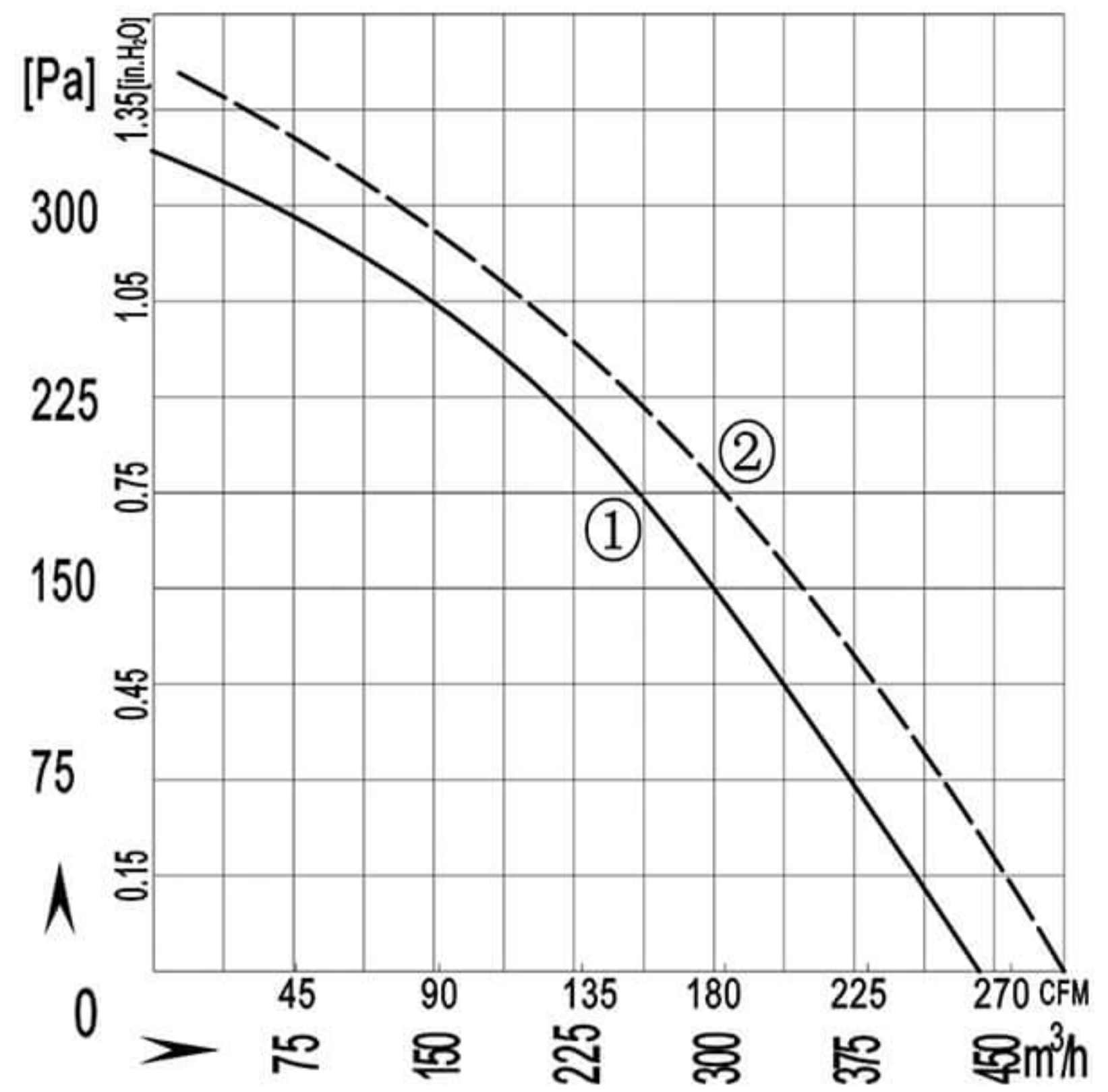


Impeller material: Plastic PA66  
 Protection Class: IP44  
 Approvals: CCC CE  
 Insulation class: F

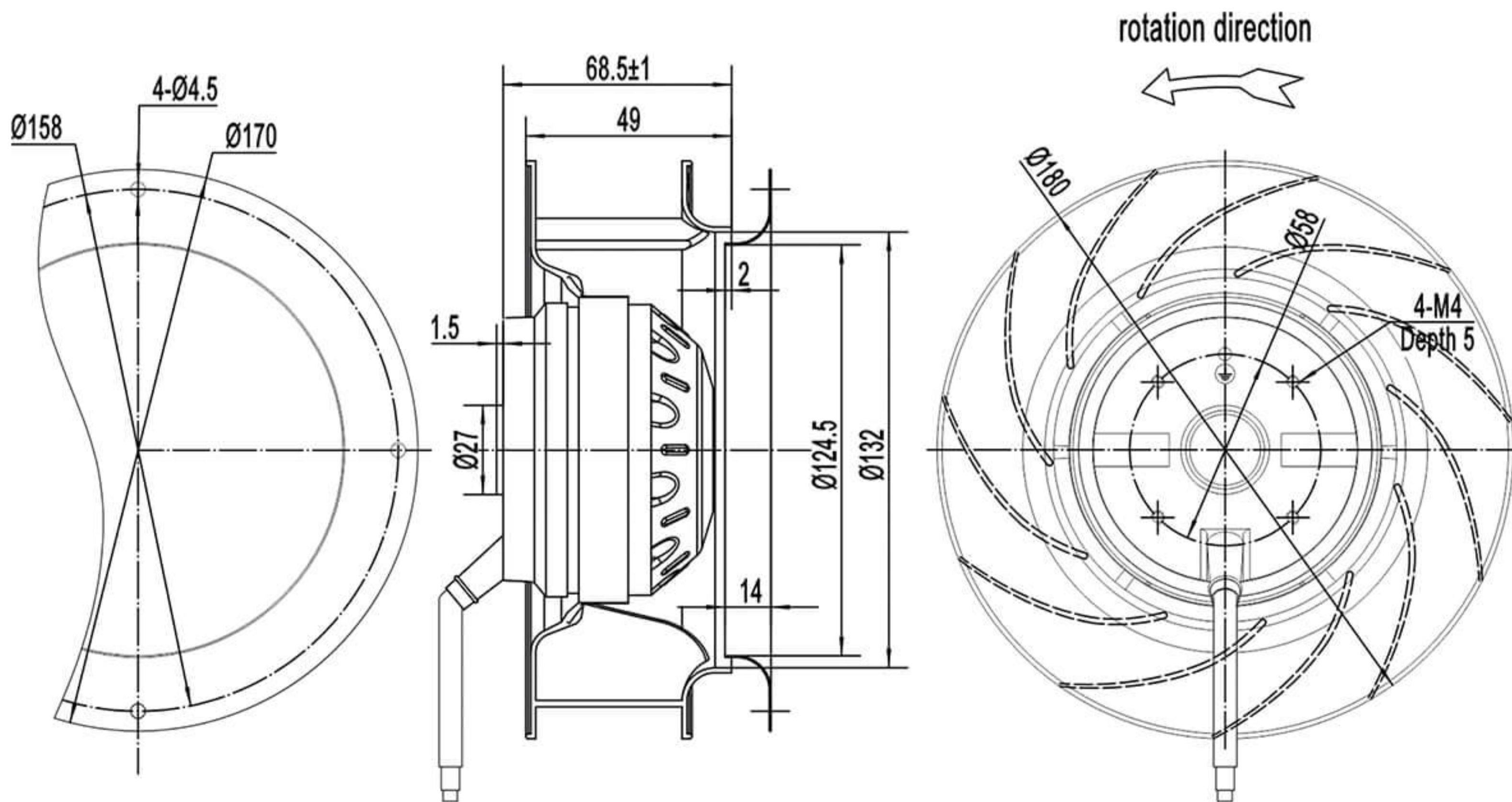


	Voltage V	Frequency Hz	Current A	Input Power W	Speed rpm	Capacitor µF	Air Flow m3/h / CFM	Noise dB(A)	Temperature Min / Max(°C)	Curve No. #	Approvals
BMF180-049A-AA00	220/230	50	0.24	52	2550	1.5	430 / 253	63	-30 / +60	①	CCC ,CE,RoHS
	220/230	60	0.32	66	2850	1.5	480 / 282	66	-30 / +60	②	CCC ,CE,RoHS

# 180-49 Backward Centrifugal Fan

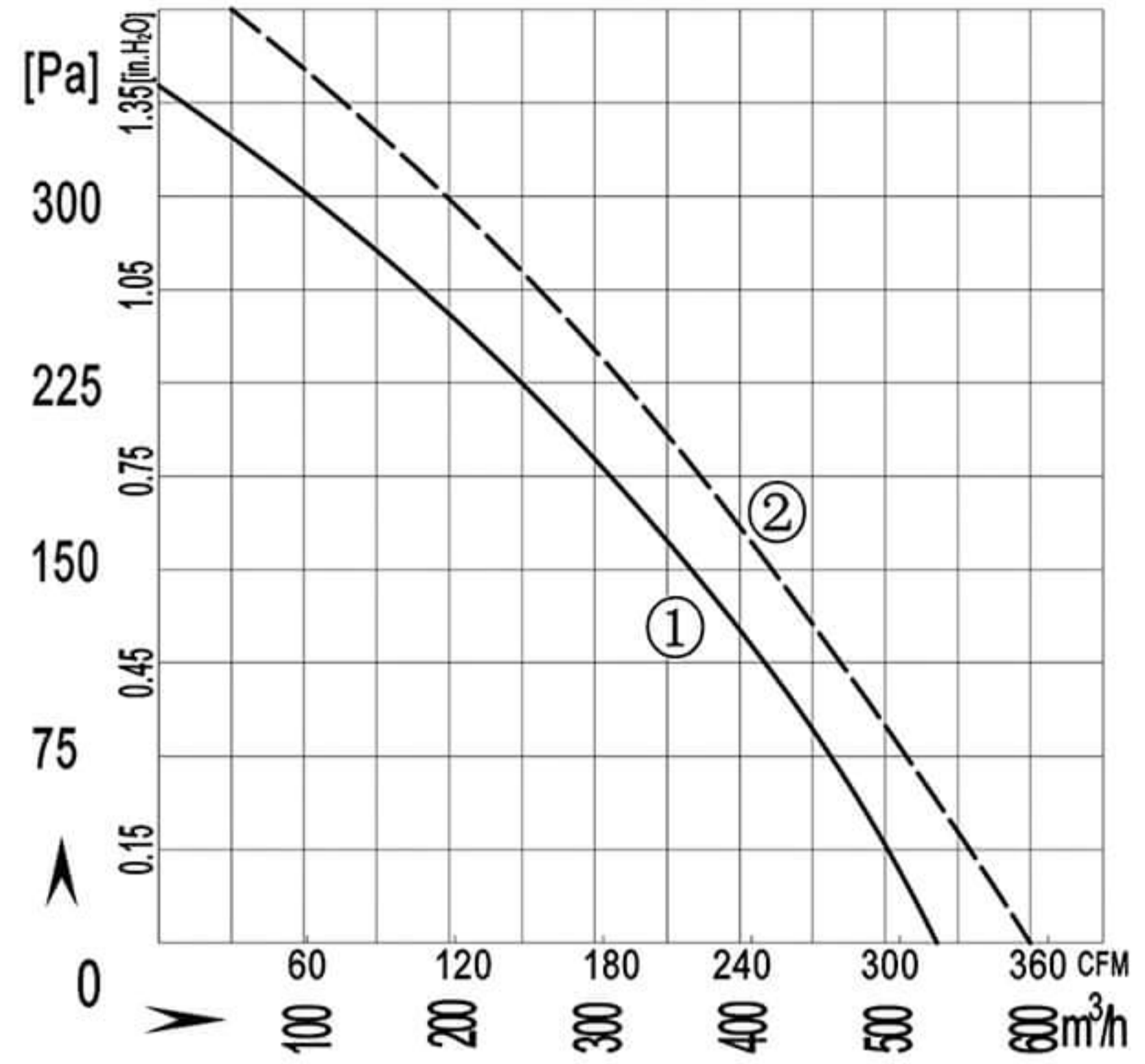


Impeller material: Plastic PA66  
 Protection Class: IP44  
 Approvals: CCC CE  
 Insulation class: F

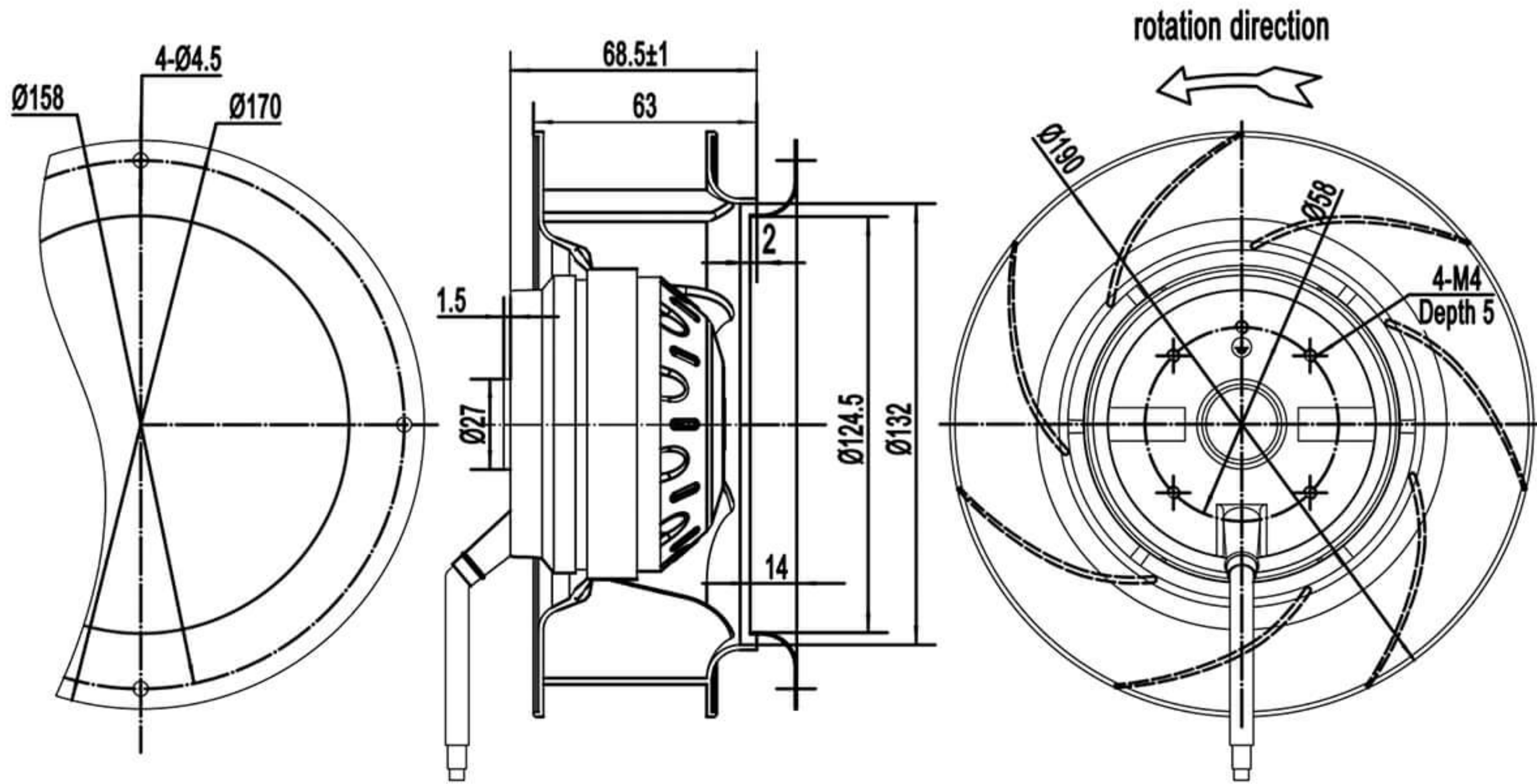


	Voltage V	Frequency Hz	Current A	Input Power W	Speed rpm	Capacitor $\mu$ F	Air Flow m <sup>3</sup> /h / CFM	Noise dB(A)	Temperature Min / Max(°C)	Curve No. #	Approvals
BMF180-049A-AA00	220/230	50	0.24	52	2550	1.5	430 / 253	63	-30 / +60	①	CCC ,CE,RoHS
	220/230	60	0.32	66	2850	1.5	480 / 282	66	-30 / +60	②	CCC ,CE,RoHS

# 190-63 Backward Centrifugal Fan

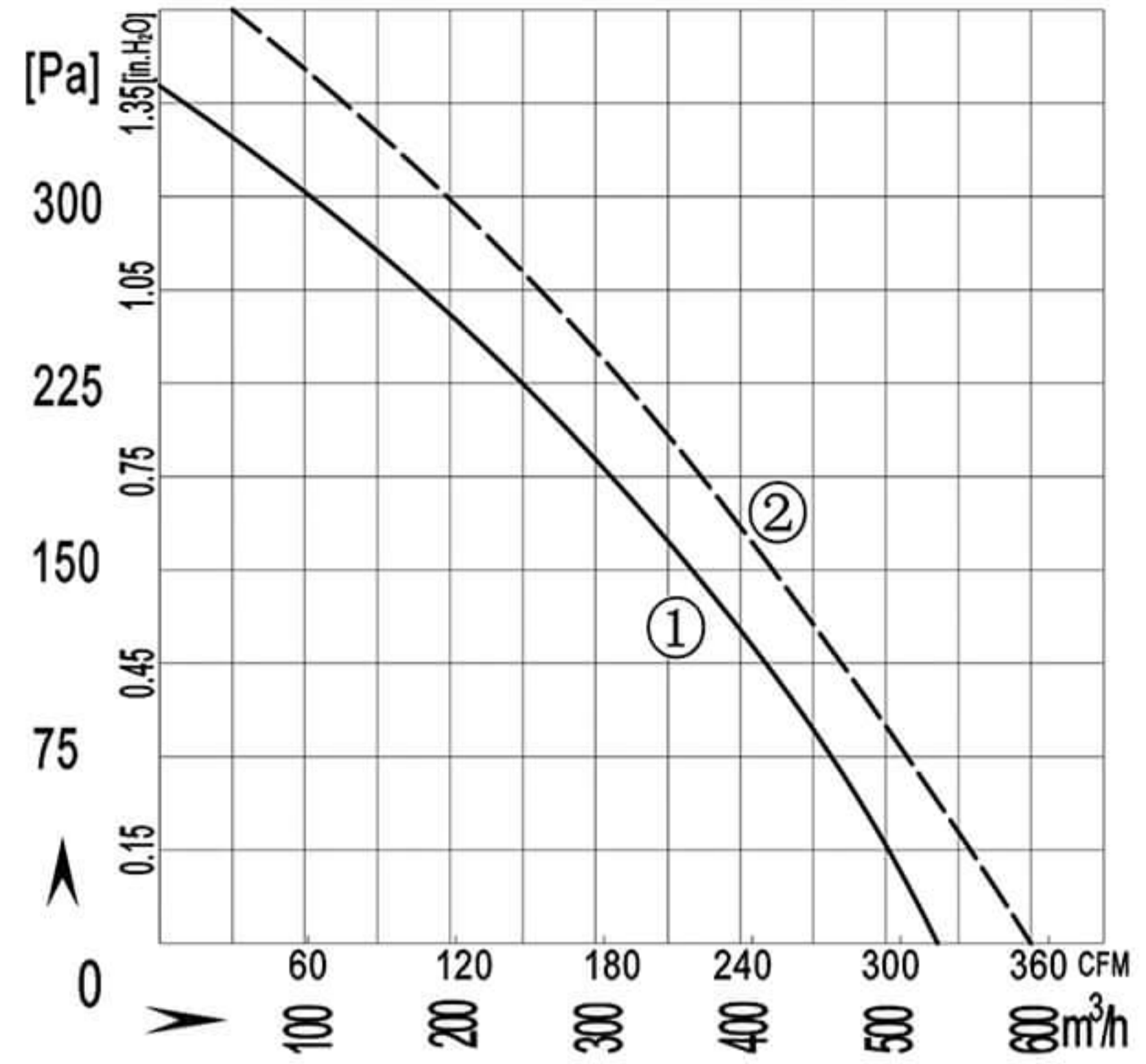


Impeller material: Plastic PA66  
 Protection Class: IP44  
 Approvals: CCC CE  
 Insulation class: F

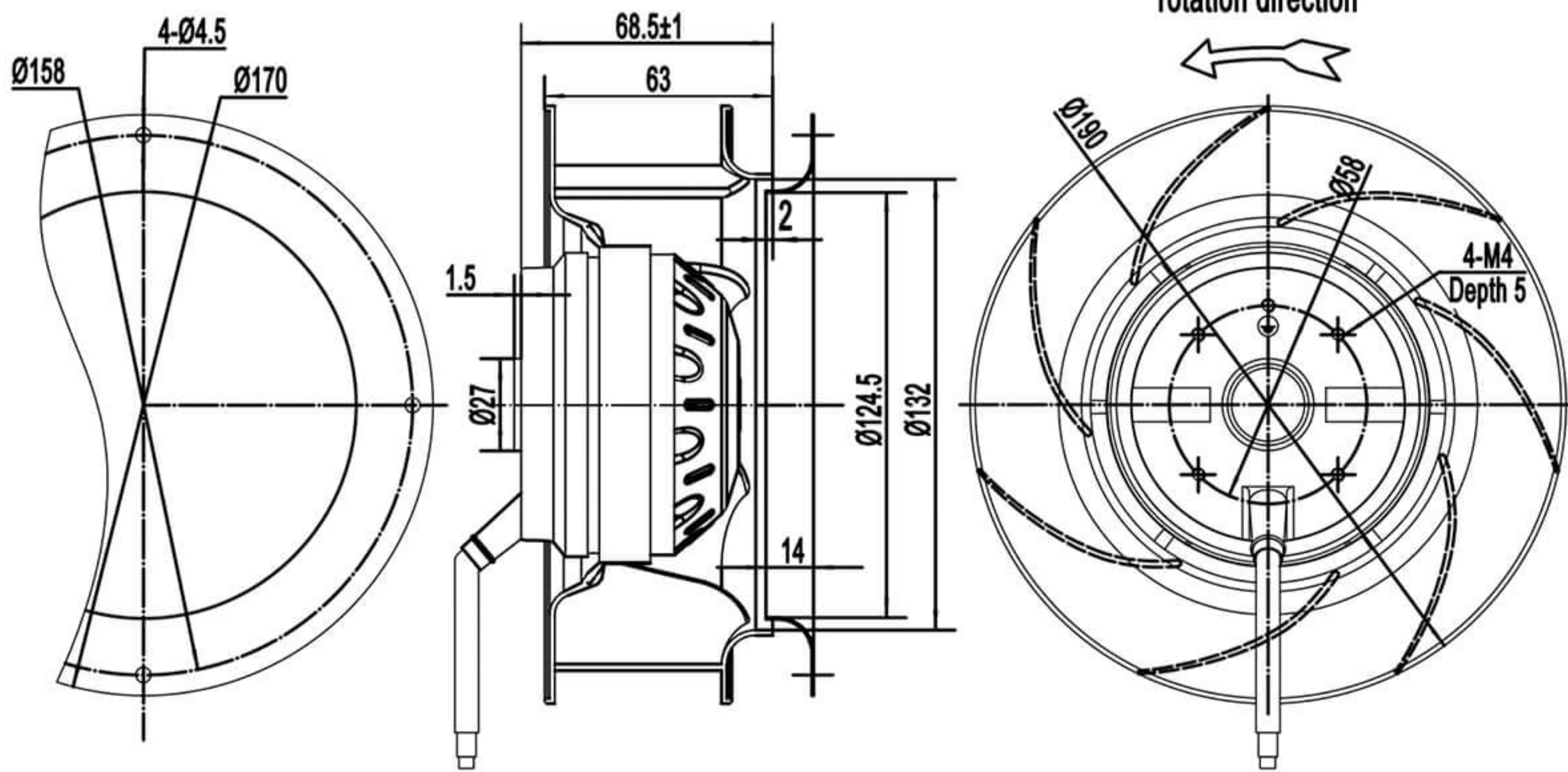


	Voltage V	Frequency Hz	Current A	Input Power W	Speed rpm	Capacitor $\mu F$	Air Flow m <sup>3</sup> /h / CFM	Noise dB(A)	Temperature Min / Max(°C)	Curve No. #	Approvals
BMF190-063A-AA00	220/230	50	0.27	60	2500	2.0	540 / 317	65	-30 / +60	①	CCC ,CE,RoHS
	220/230	60	0.35	76	2700	2.0	600 / 350	68	-30 / +60	②	CCC ,CE,RoHS

# 190-63 Backward Centrifugal Fan

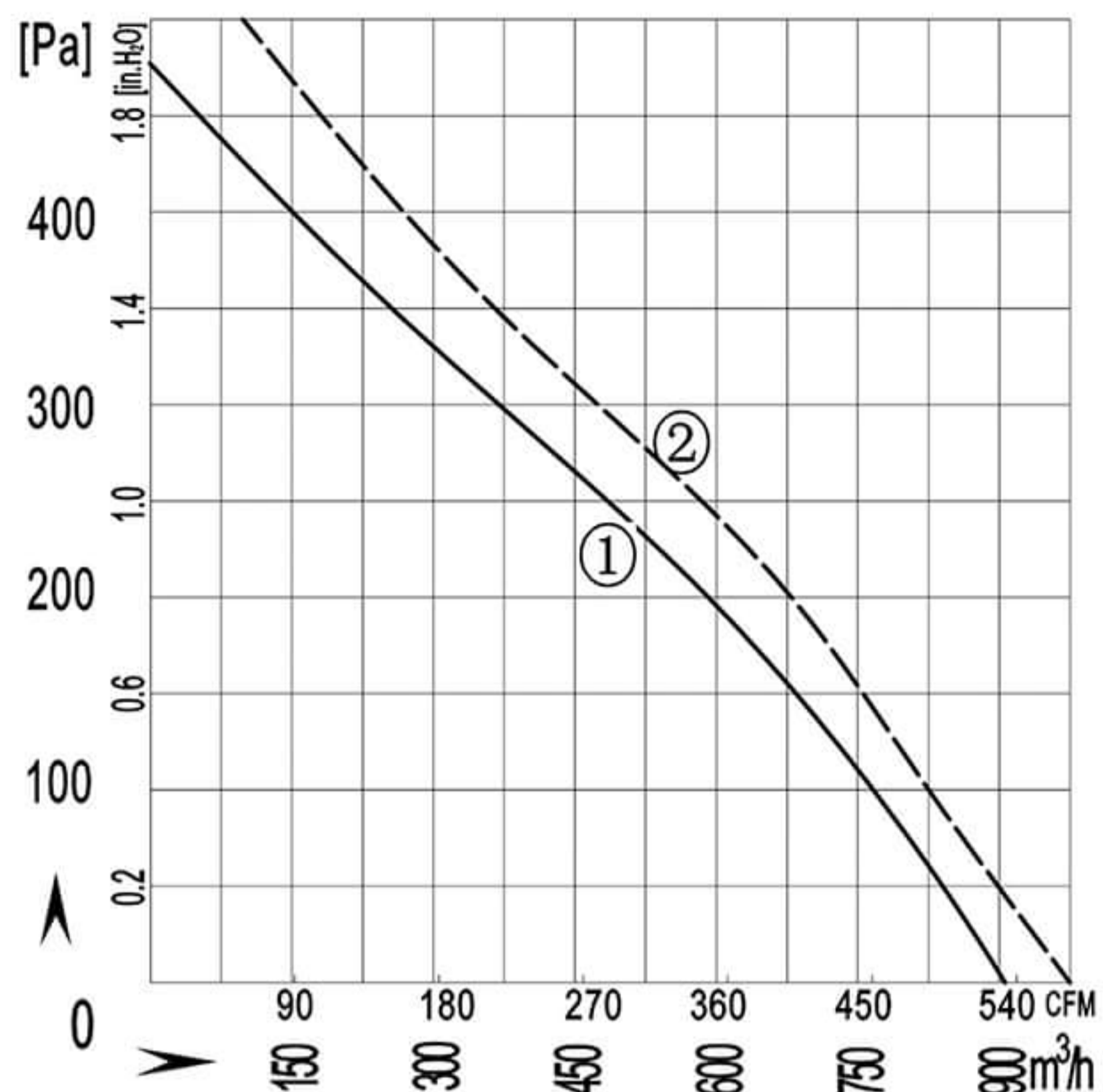


Impeller material: Plastic PA66  
 Protection Class: IP44  
 Approvals: CCC CE  
 Insulation class: F



	Voltage V	Frequency Hz	Current A	Input Power W	Speed rpm	Capacitor µF	Air Flow m3/h / CFM	Noise dB(A)	Temperature Min / Max(°C)	Curve No. #	Approvals
<b>BMF190-063A-AA00</b>	220/230	50	0.27	60	2500	2.0	540 / 317	65	-30 / +60	①	CCC ,CE,RoHS
	220/230	60	0.35	76	2700	2.0	600 / 350	68	-30 / +60	②	CCC ,CE,RoHS

## 220-64 Backward Centrifugal Fan

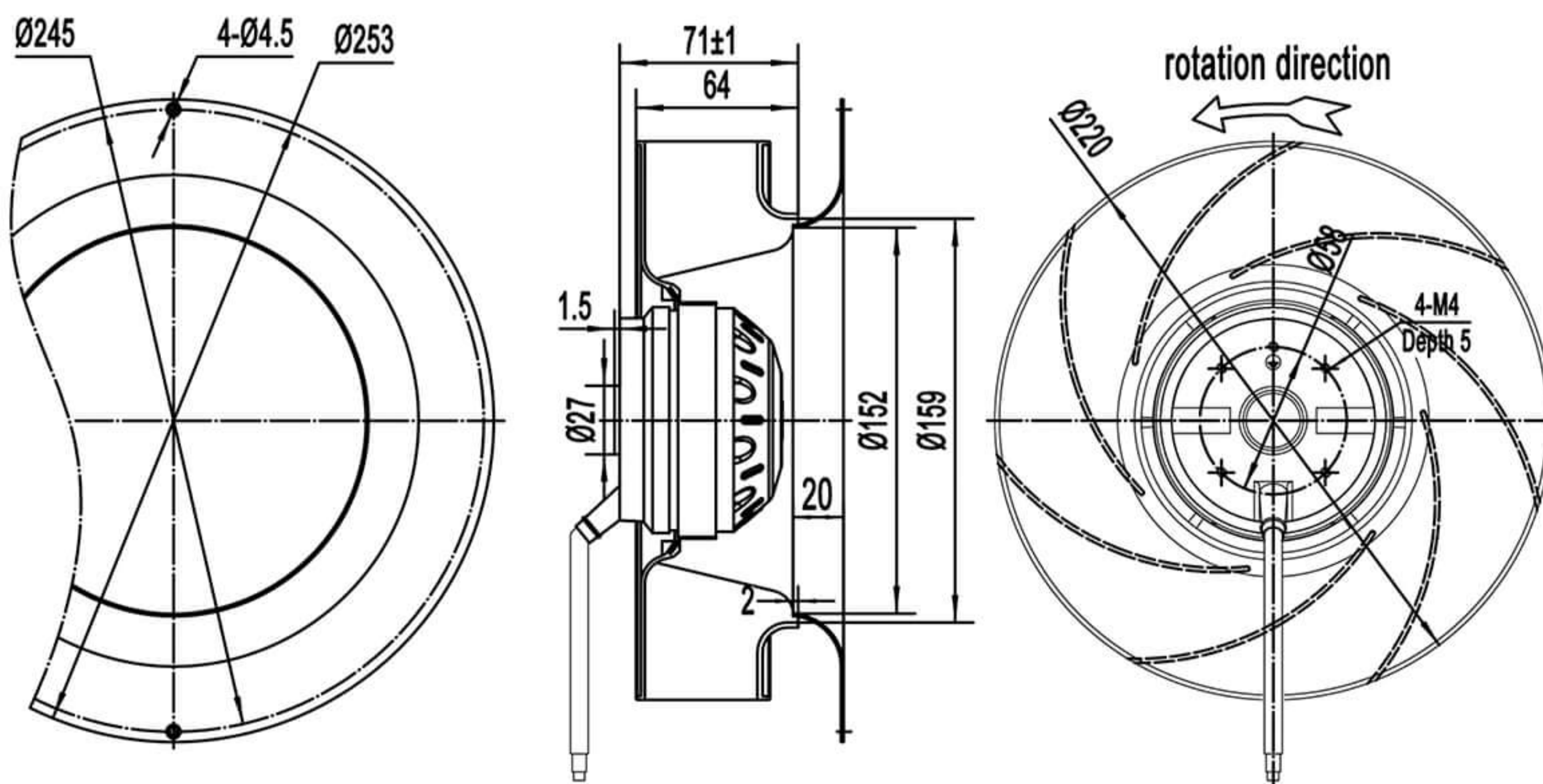


Impeller material: Plastic PA66

Protection Class: IP44

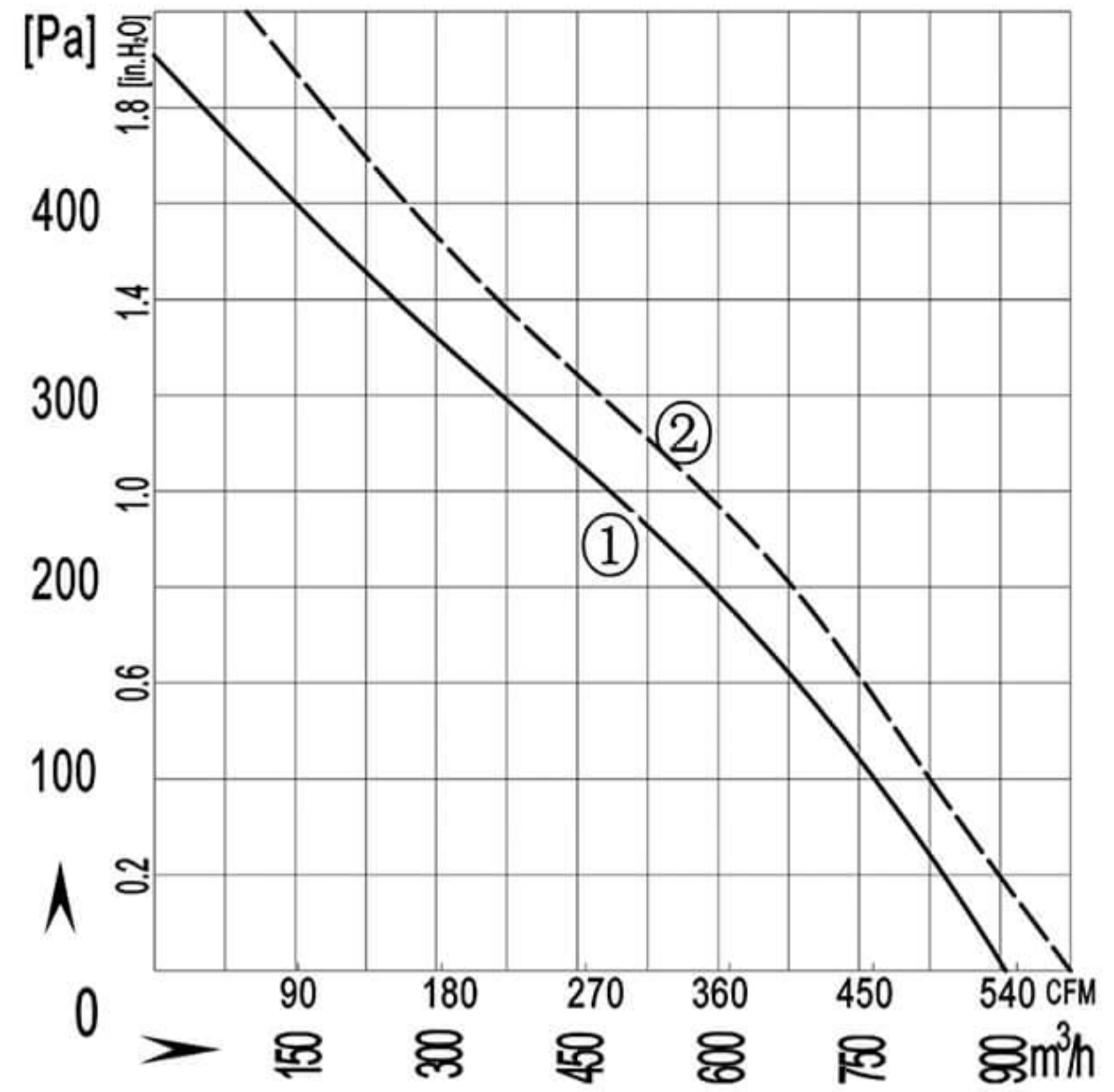
Approvals: CCC CE

Insulation class: F

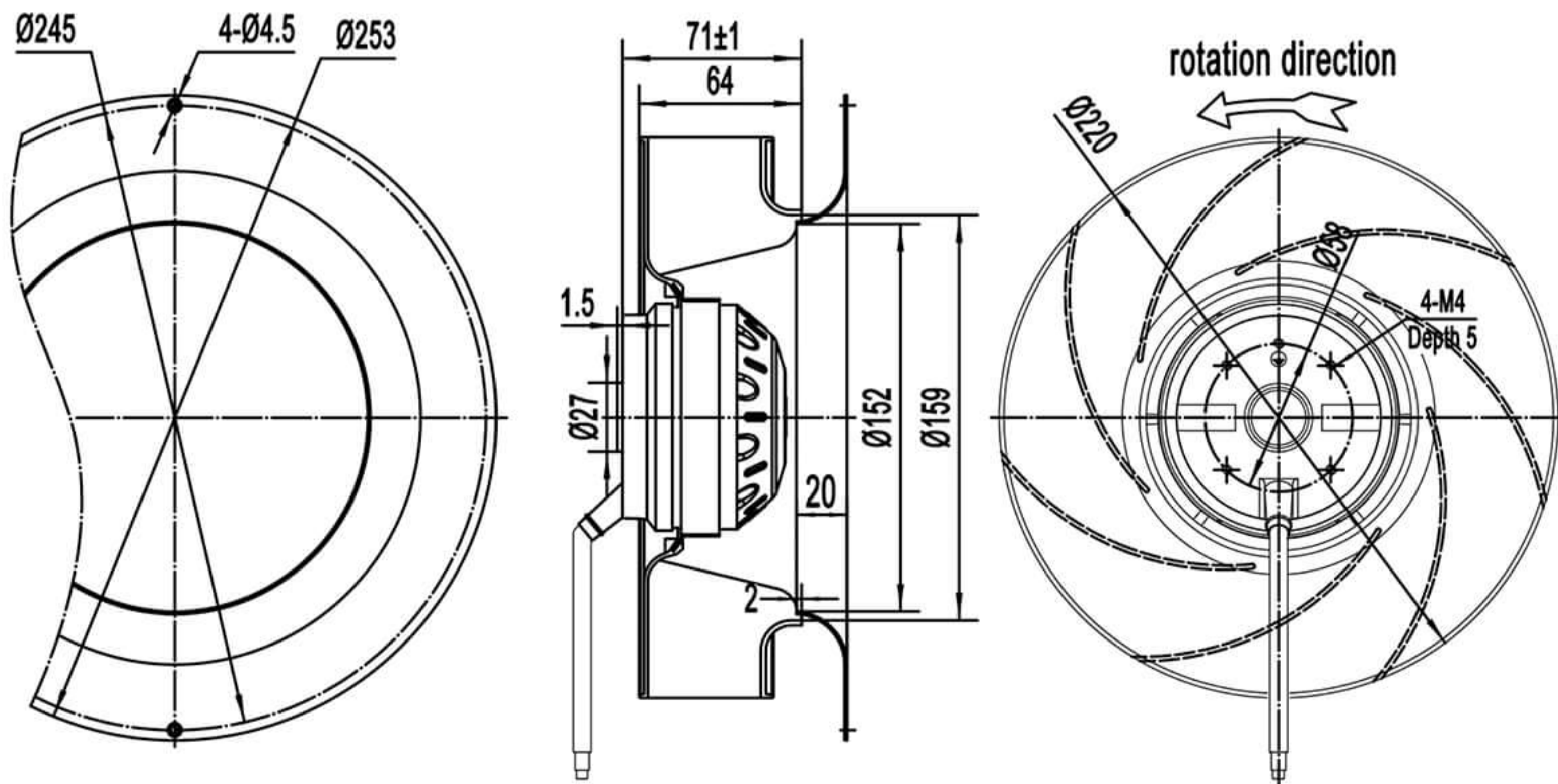


	Voltage V	Frequency Hz	Current A	Input Power W	Speed rpm	Capacitor $\mu$ F	Air Flow m <sup>3</sup> /h / CFM	Noise dB(A)	Temperature Min / Max(°C)	Curve No. #	Approvals
BMF220-064A-AC00	220/230	50	0.41	90	2500	2.5	910 / 535	70	-30 / +60	①	CCC ,CE,RoHS
	220/230	60	0.46	100	2700	2.5	970 / 570	73	-30 / +60	②	CCC ,CE,RoHS
BMF220-064A-AC00	380/400	50	0.17	85	2500	/	910 / 535	70	-30 / +60	①	CCC ,CE,RoHS
	380/400	60	0.20	100	2700	/	970 / 570	73	-30 / +60	②	CCC ,CE,RoHS

## 220-64 Backward Centrifugal Fan



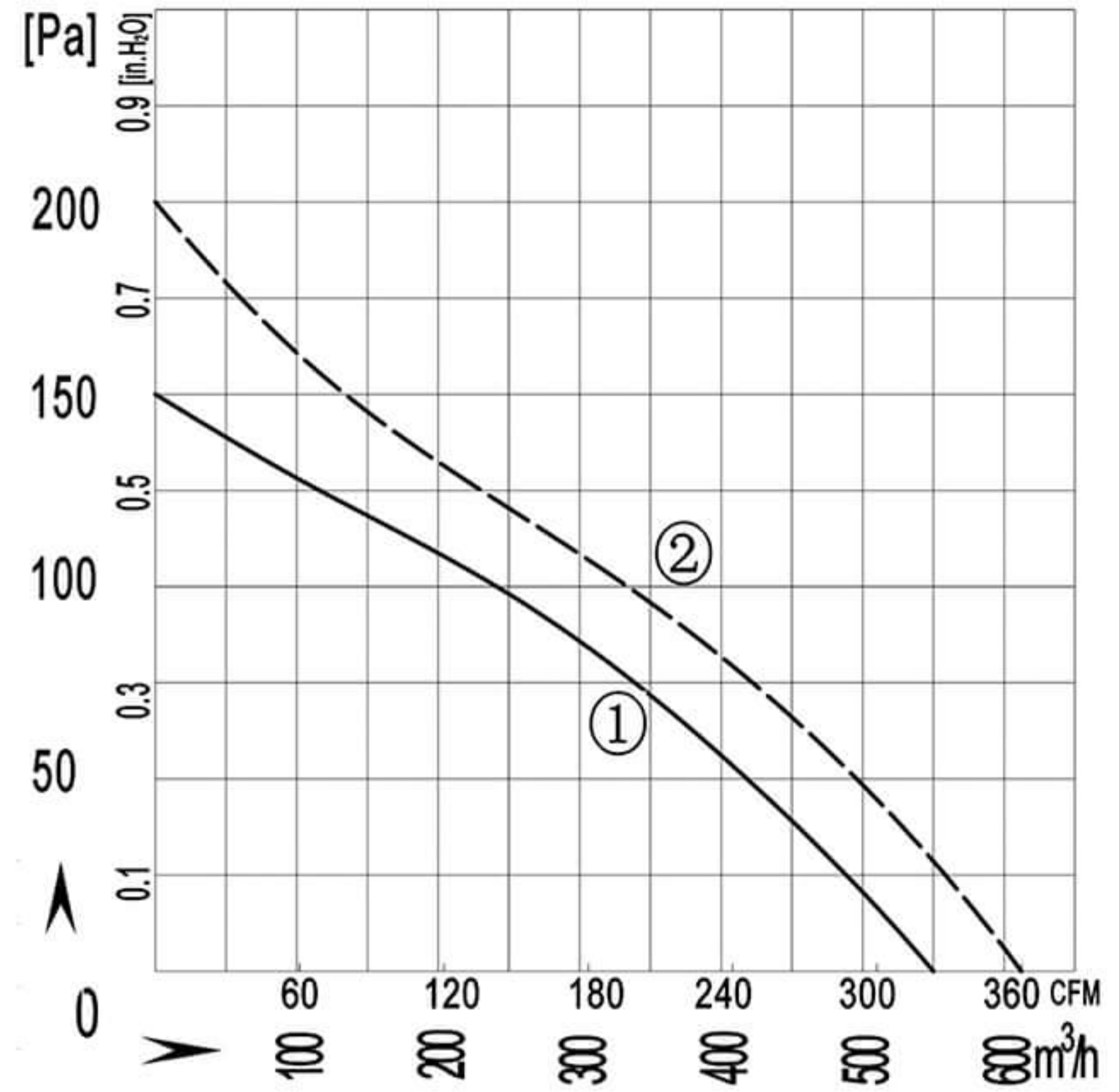
Impeller material: Plastic PA66  
 Protection Class: IP44  
 Approvals: CCC CE  
 Insulation class: F



	Voltage V	Frequency Hz	Current A	Input Power W	Speed rpm	Capacitor µF	Air Flow m³/h / CFM	Noise dB(A)	Temperature Min / Max(°C)	Curve No. #	Approvals
BMF220-064A-AC00	220/230	50	0.41	90	2500	2.5	910 / 535	70	-30 / +60	①	CCC ,CE,RoHS
	220/230	60	0.46	100	2700	2.5	970 / 570	73	-30 / +60	②	CCC ,CE,RoHS
BMF220-064A-AC00	380/400	50	0.17	85	2500	/	910 / 535	70	-30 / +60	①	CCC ,CE,RoHS
	380/400	60	0.20	100	2700	/	970 / 570	73	-30 / +60	②	CCC ,CE,RoHS



## 220-64 Backward Centrifugal Fan

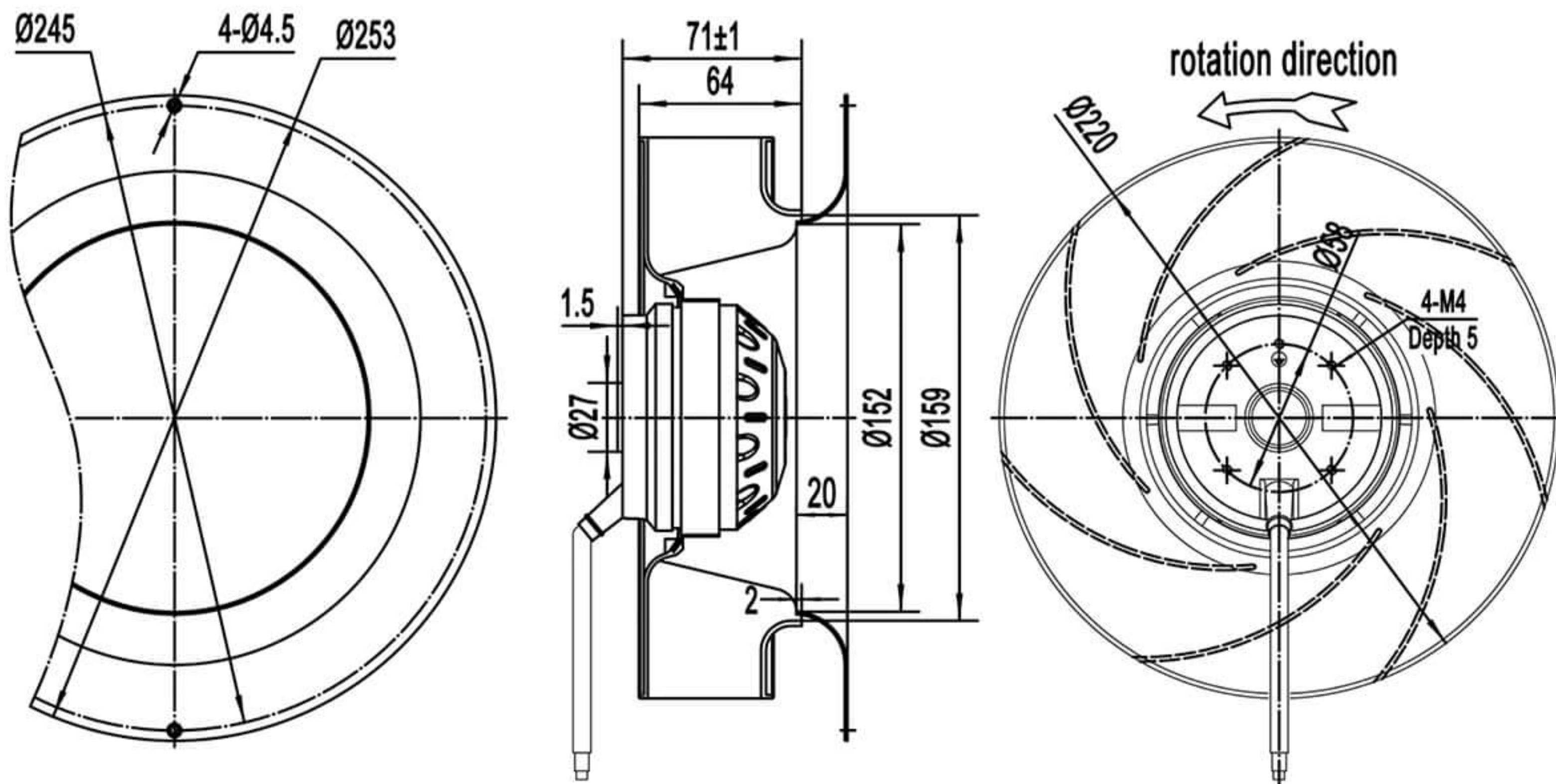


Impeller material: Plastic PA66

Protection Class: IP44

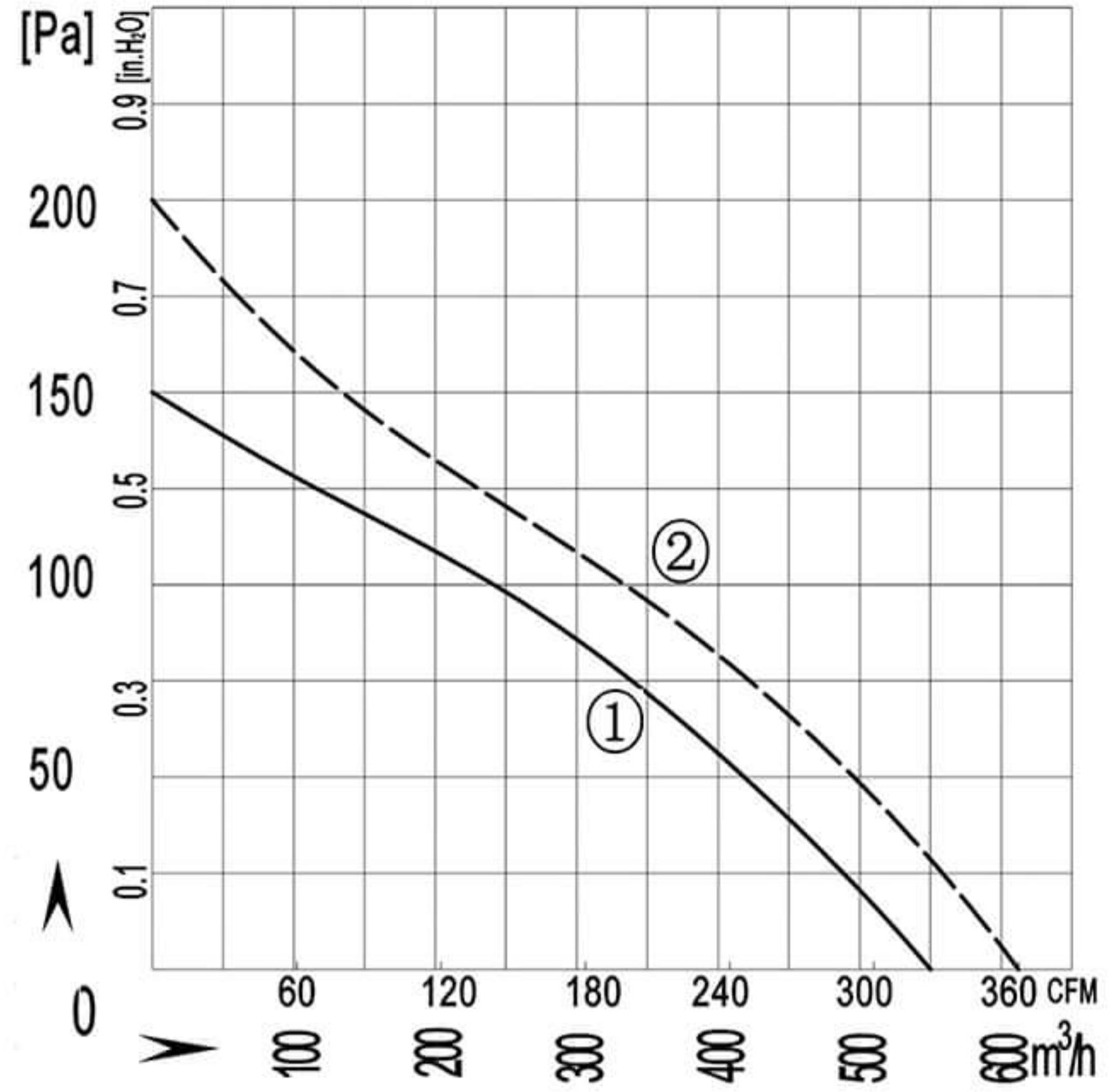
Approvals: CCC CE

Insulation class: F

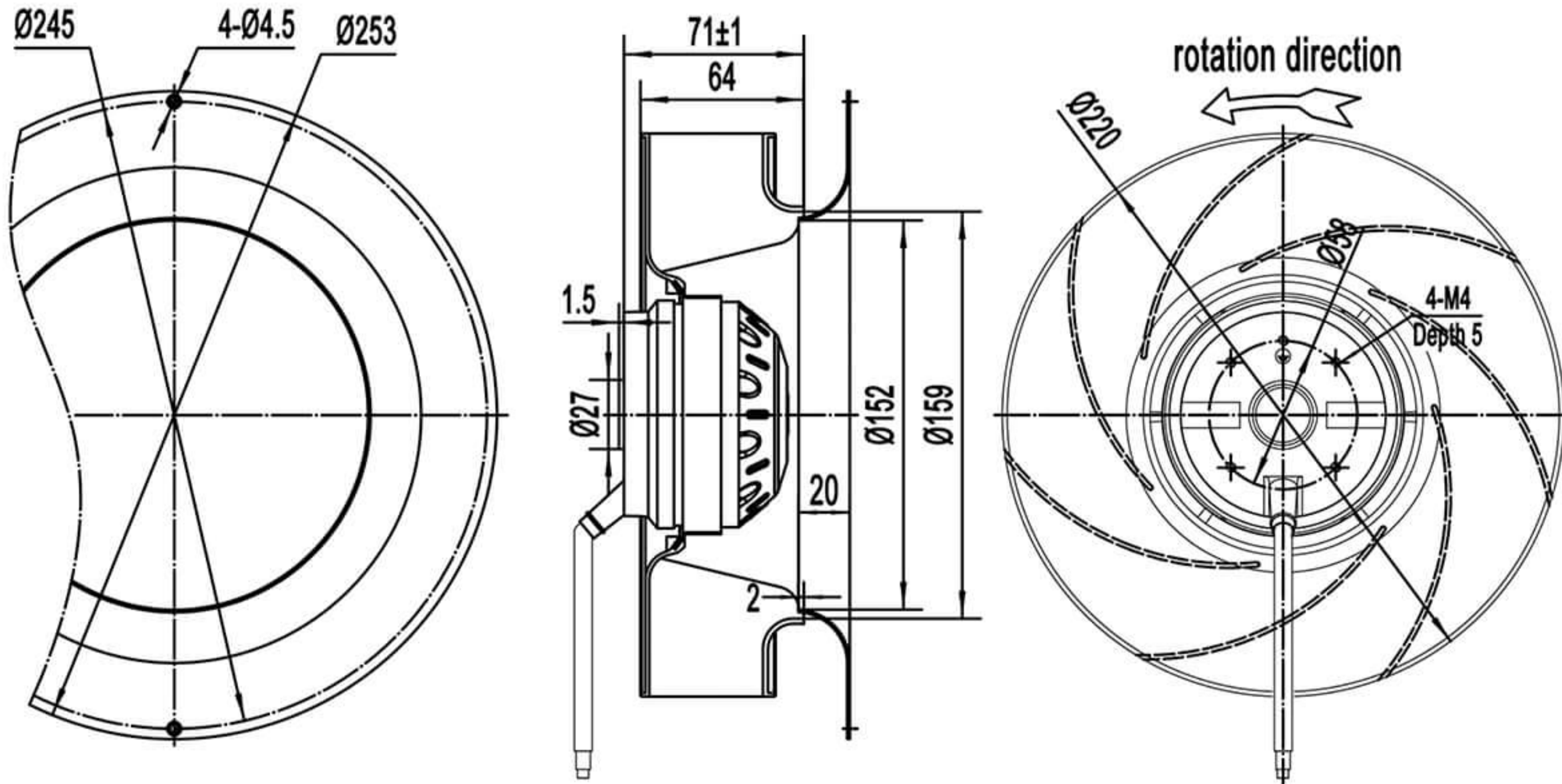


	Voltage V	Frequency Hz	Current A	Input Power W	Speed rpm	Capacitor µF	Air Flow m³/h / CFM	Noise dB(A)	Temperature Min / Max(°C)	Curve No. #	Approvals
BMF220-064A-AC00	220/230	50	0.23	40	1420	1.5	550 / 323	52	-30 / +60	①	CCC ,CE,RoHS
	220/230	60	0.19	41	1650	1.5	610 / 359	58	-30 / +60	②	CCC ,CE,RoHS
BMF220-064A-AC00	380/400	50	0.08	38	1400	/	550 / 323	52	-30 / +60	①	CCC ,CE,RoHS
	380/400	60	0.10	41	1650	/	610 / 359	58	-30 / +60	②	CCC ,CE,RoHS

# 220-64 Backward Centrifugal Fan

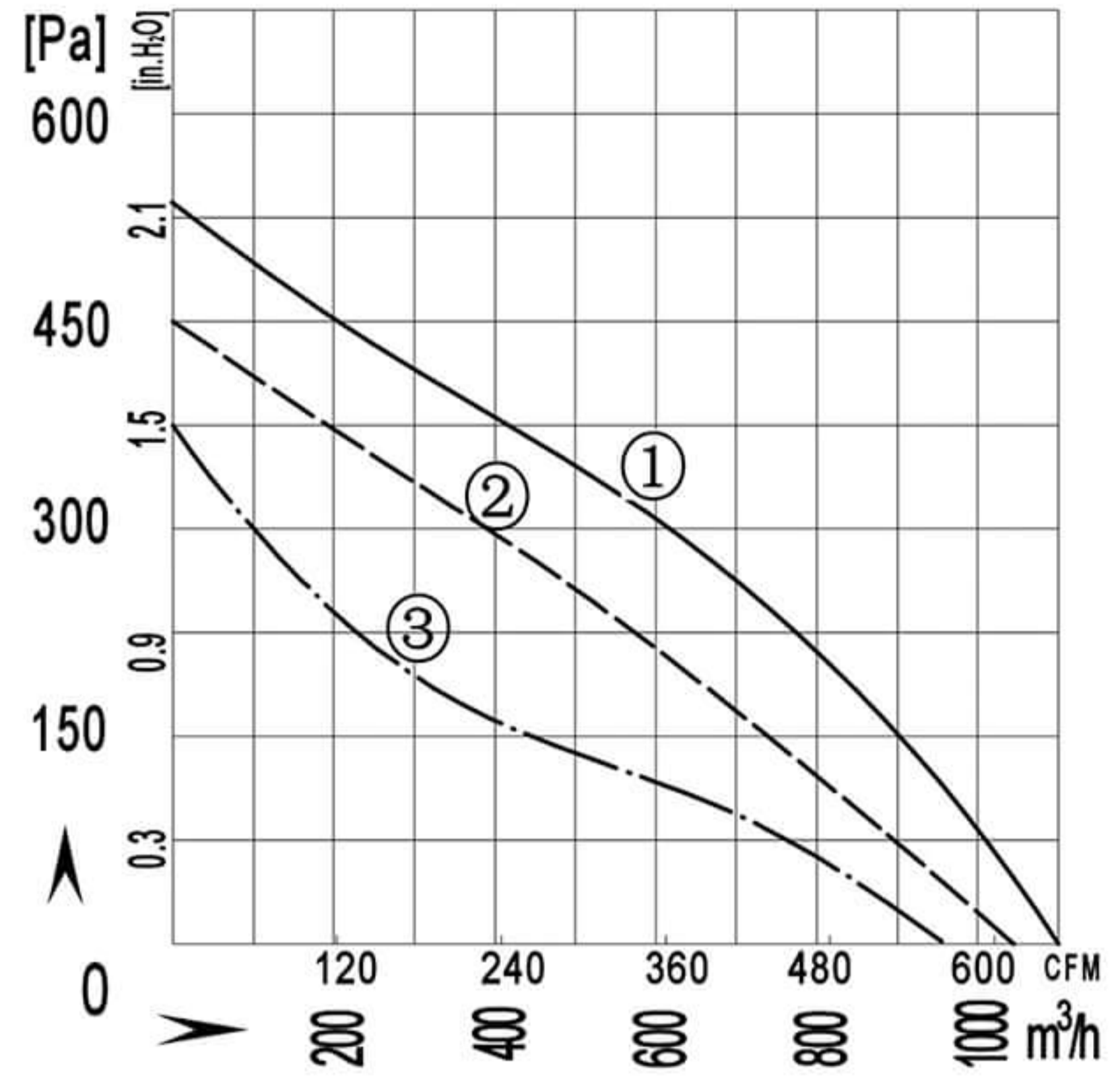


Impeller material: Plastic PA66  
 Protection Class: IP44  
 Approvals: CCC CE  
 Insulation class: F

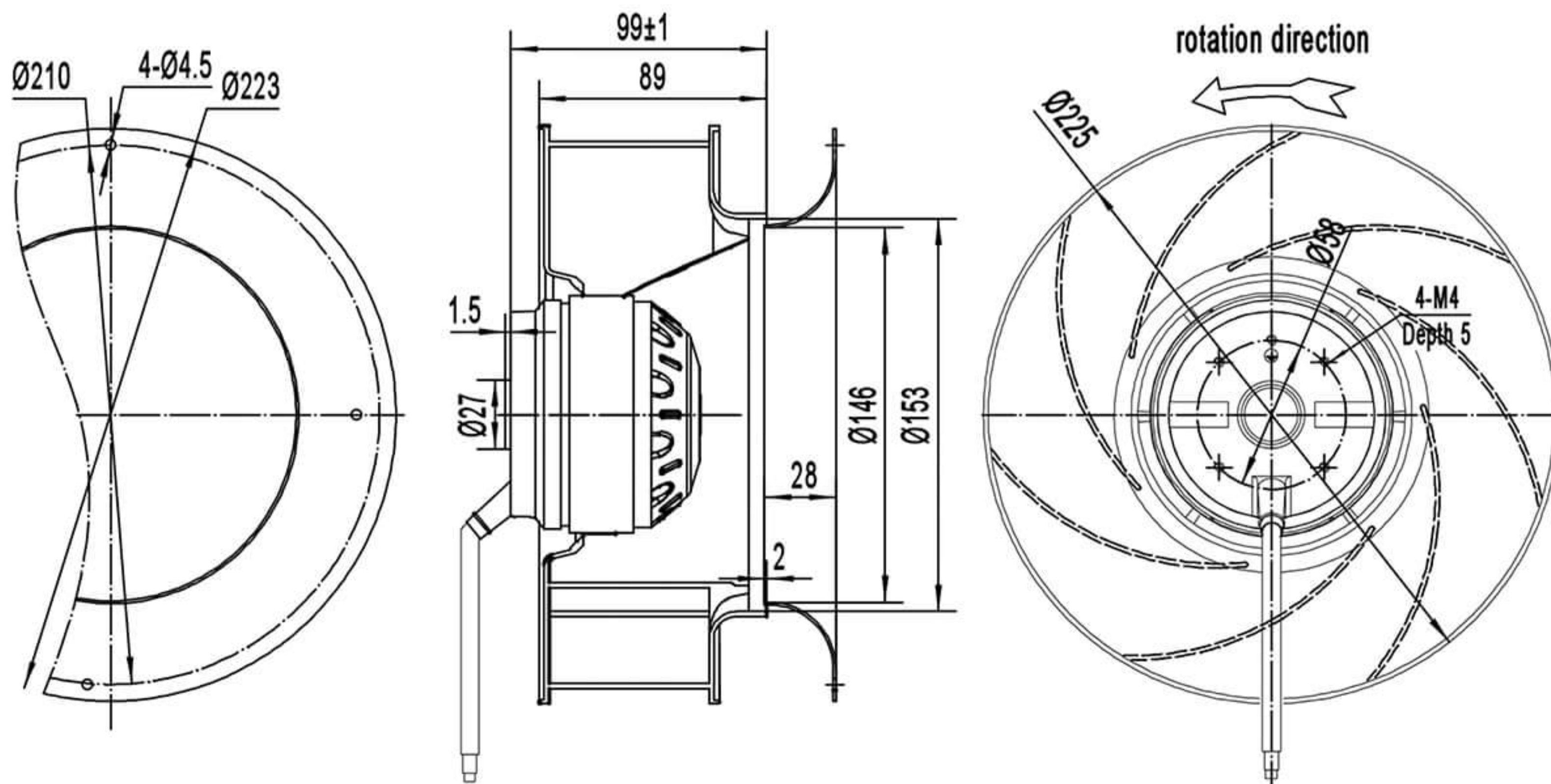


	Voltage V	Frequency Hz	Current A	Input Power W	Speed rpm	Capacitor $\mu$ F	Air Flow m <sup>3</sup> /h / CFM	Noise dB(A)	Temperature Min / Max(°C)	Curve No. #	Approvals
BMF220-064A-AC00	220/230	50	0.23	40	1420	1.5	550 / 323	52	-30 / +60	①	CCC ,CE,RoHS
	220/230	60	0.19	41	1650	1.5	610 / 359	58	-30 / +60	②	CCC ,CE,RoHS
BMF220-064A-AC00	380/400	50	0.08	38	1400	/	550 / 323	52	-30 / +60	①	CCC ,CE,RoHS
	380/400	60	0.10	41	1650	/	610 / 359	58	-30 / +60	②	CCC ,CE,RoHS

# 225-89-T Backward Centrifugal Fan

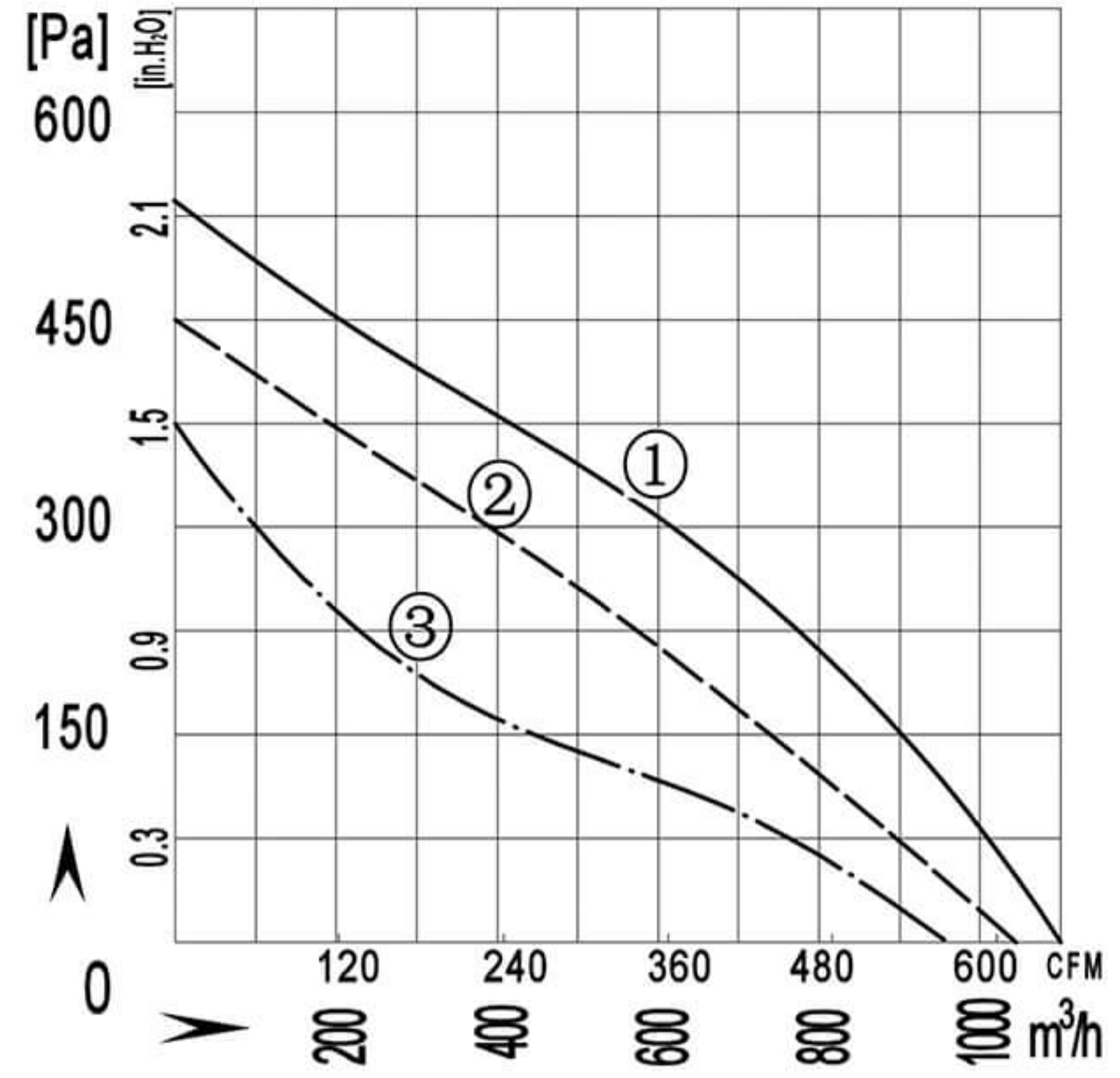


Impeller material: Plastic PA66  
 Protection Class: IP44  
 Approvals: CCC CE  
 Insulation class: F

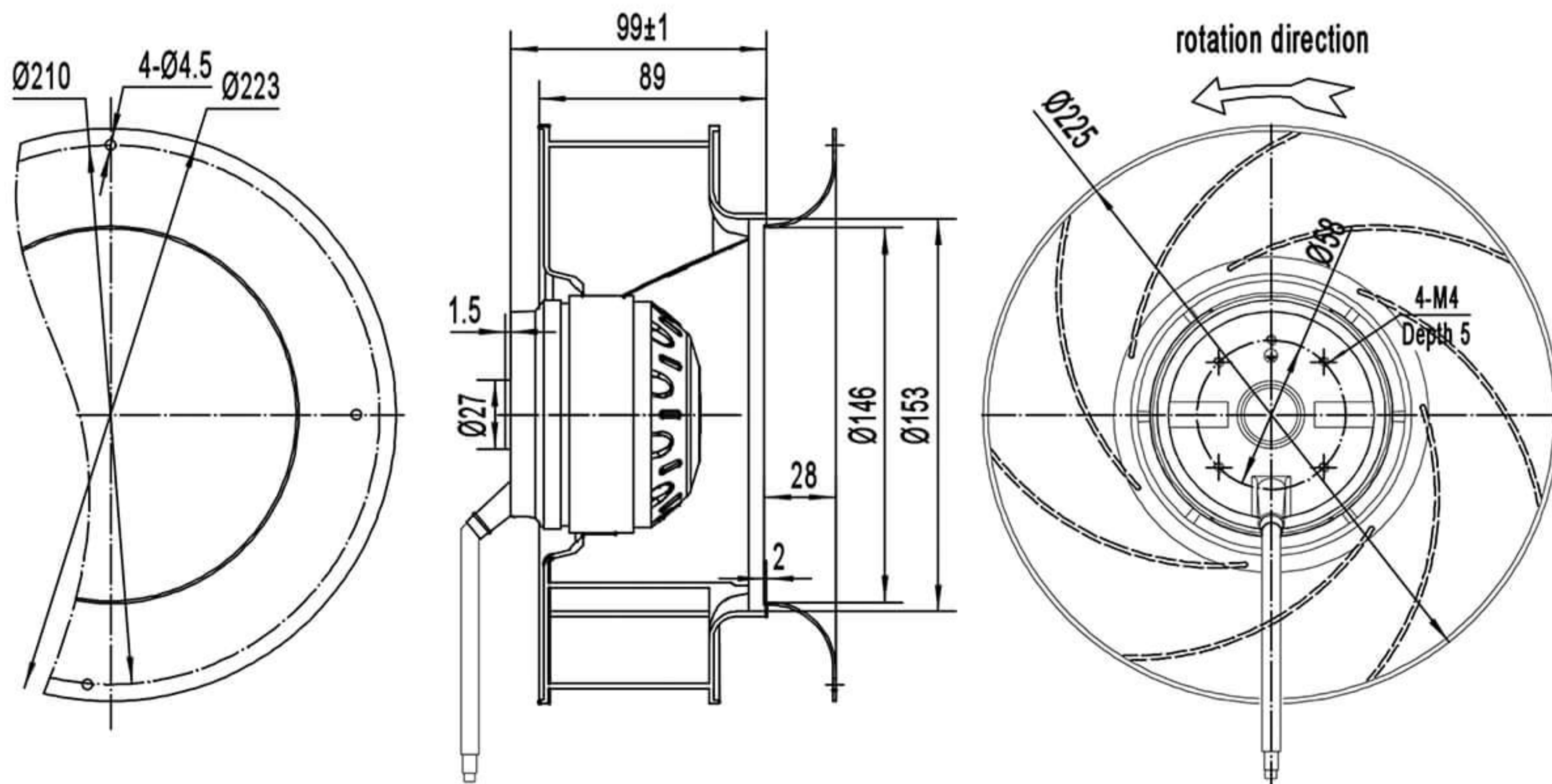


	Voltage V	Frequency Hz	Current A	Input Power W	Speed rpm	Capacitor $\mu$ F	Air Flow m <sup>3</sup> /h / CFM	Noise dB(A)	Temperature Min / Max(°C)	Curve No. #	Approvals
BMF225-089A-TE00	220/230	50	0.60	125	2630	4	1100 / 647	74	-30 / +60	①	CCC ,CE,RoHS
			0.54	120	2500	4	1045 / 615	70	-30 / +60	②	CCC ,CE,RoHS
			0.52	115	2290	4	955 / 563	66	-30 / +60	③	CCC ,CE,RoHS

# 225-89-T Backward Centrifugal Fan

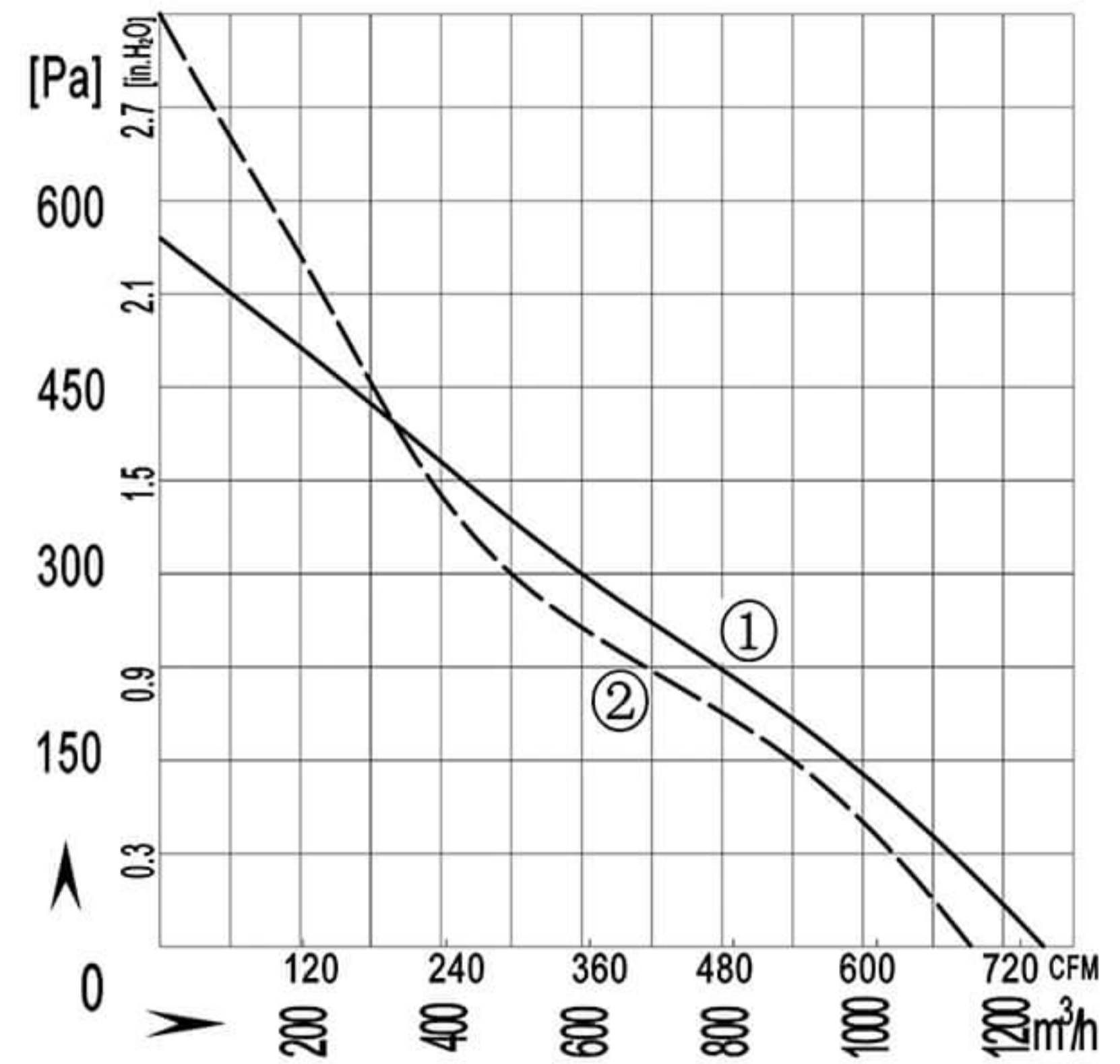


Impeller material: Plastic PA66  
 Protection Class: IP44  
 Approvals: CCC CE  
 Insulation class: F

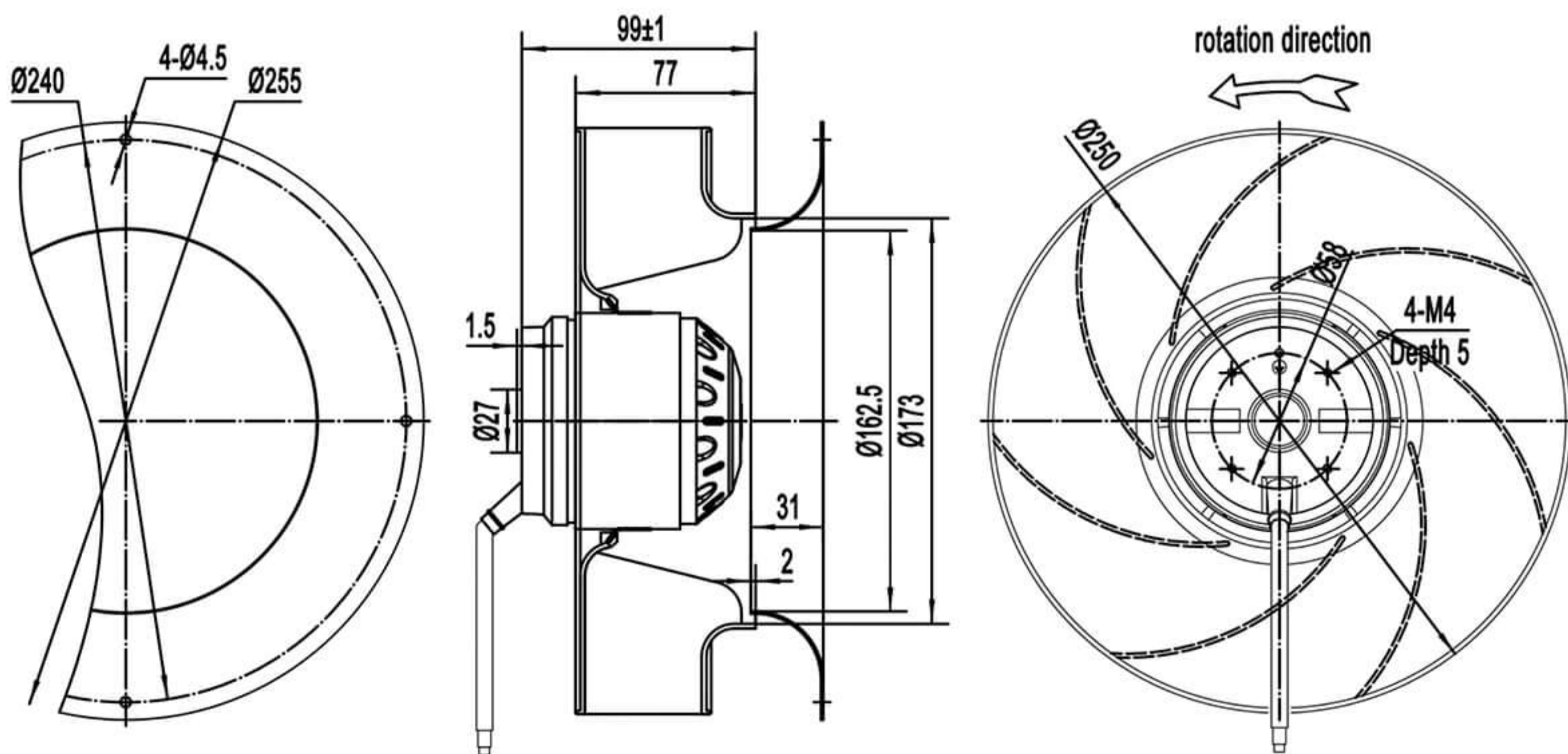


	Voltage V	Frequency Hz	Current A	Input Power W	Speed rpm	Capacitor µF	Air Flow m³/h / CFM	Noise dB(A)	Temperature Min / Max(°C)	Curve No. #	Approvals
<b>BMF225-089A-TE00</b>	220/230	50	0.60	125	2630	4	1100 / 647	74	-30 / +60	①	CCC ,CE,RoHS
			0.54	120	2500	4	1045 / 615	70	-30 / +60	②	CCC ,CE,RoHS
			0.52	115	2290	4	955 / 563	66	-30 / +60	③	CCC ,CE,RoHS

# 250-77 Backward Centrifugal Fan

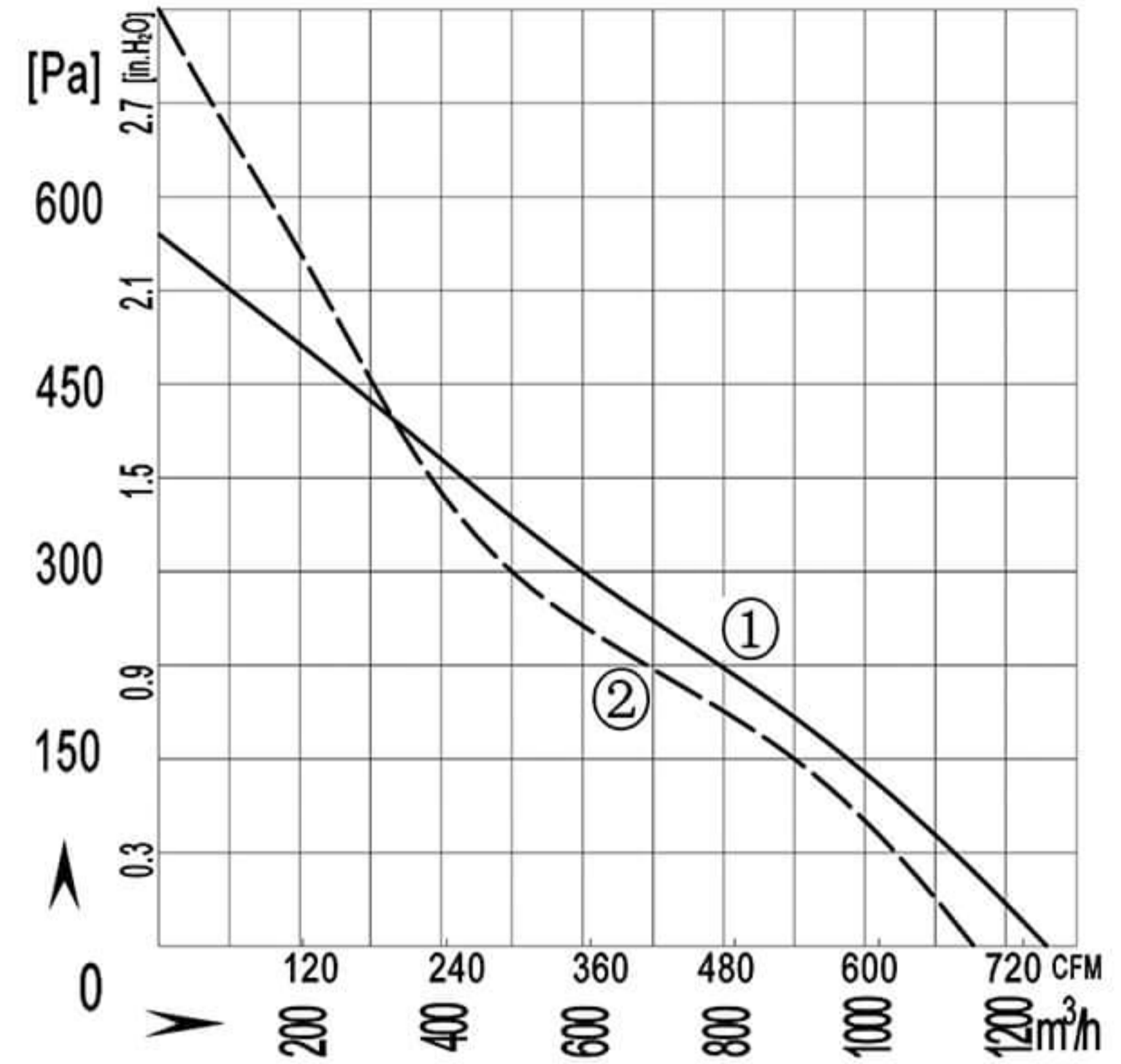


Impeller material: Plastic PA66  
 Protection Class: IP44  
 Approvals: CCC CE  
 Insulation class: F

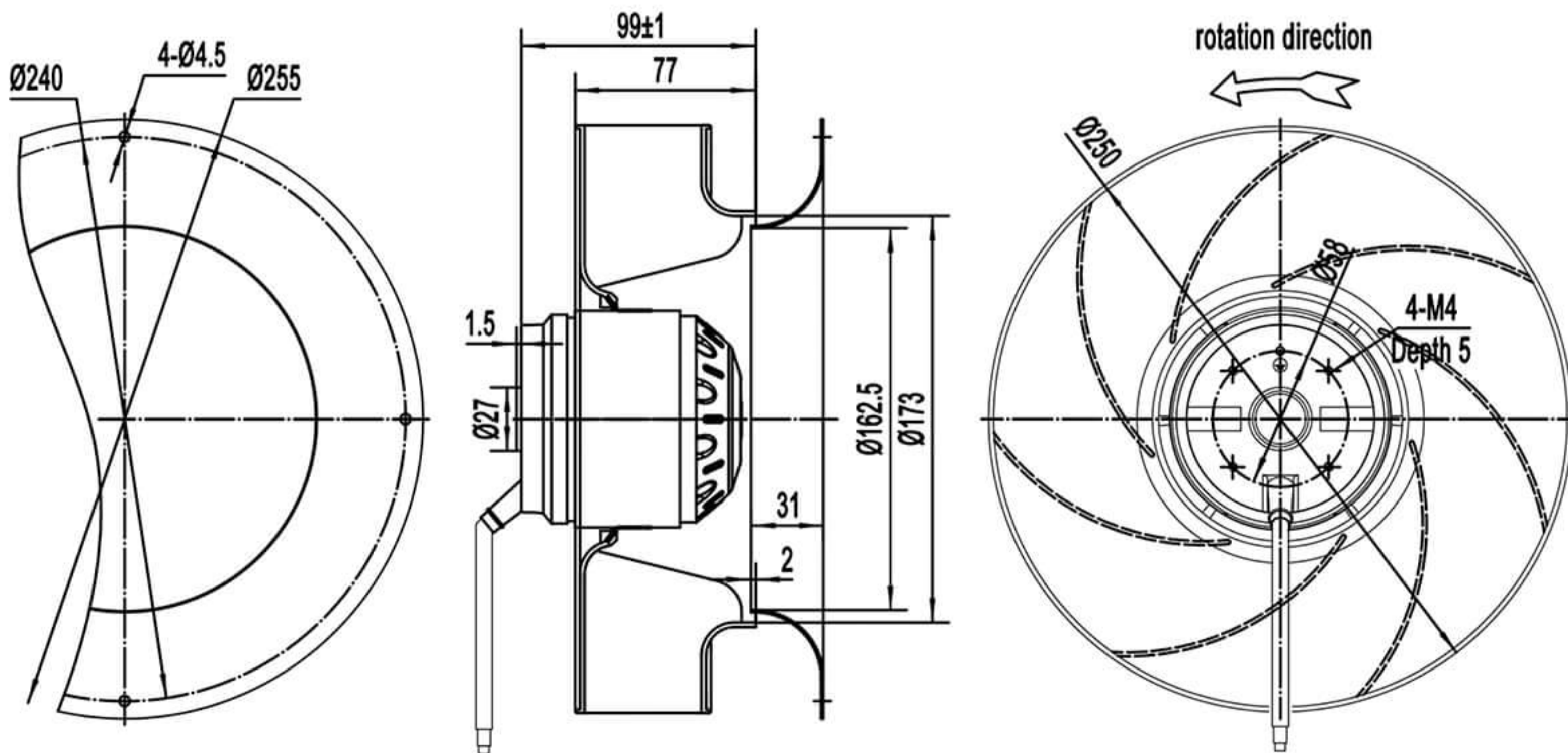


	Voltage V	Frequency Hz	Current A	Input Power W	Speed rpm	Capacitor µF	Air Flow m3/h / CFM	Noise dB(A)	Temperature Min / Max(°C)	Curve No. #	Approvals
BMF250-077A-AE00	220/230	50	0.60	135	2450	4	1250 / 735	74	-30 / +60	①	CCC ,CE,RoHS
	220/230	60	0.9	190	2600	4	1150 / 676	76	-30 / +60	②	CCC ,CE,RoHS
BMF250-077A-AE00	380/400	50	0.32	160	2450	/	1250 / 735	74	-30 / +60	①	CCC ,CE,RoHS
	380/400	60	0.38	185	2600	/	1150 / 676	76	-30 / +60	②	CCC ,CE,RoHS

# 250-77 Backward Centrifugal Fan

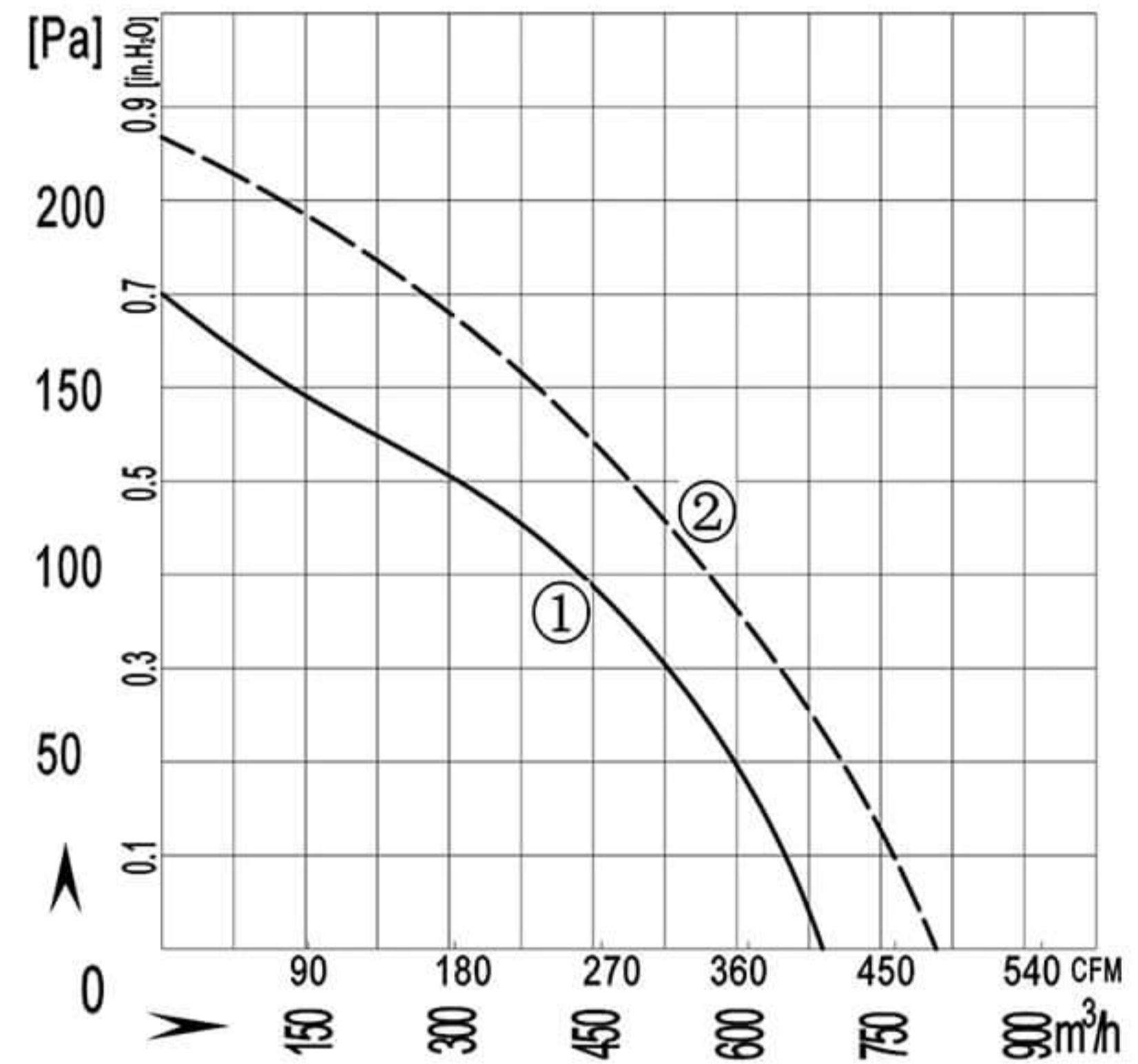


Impeller material: Plastic PA66  
 Protection Class: IP44  
 Approvals: CCC CE  
 Insulation class: F

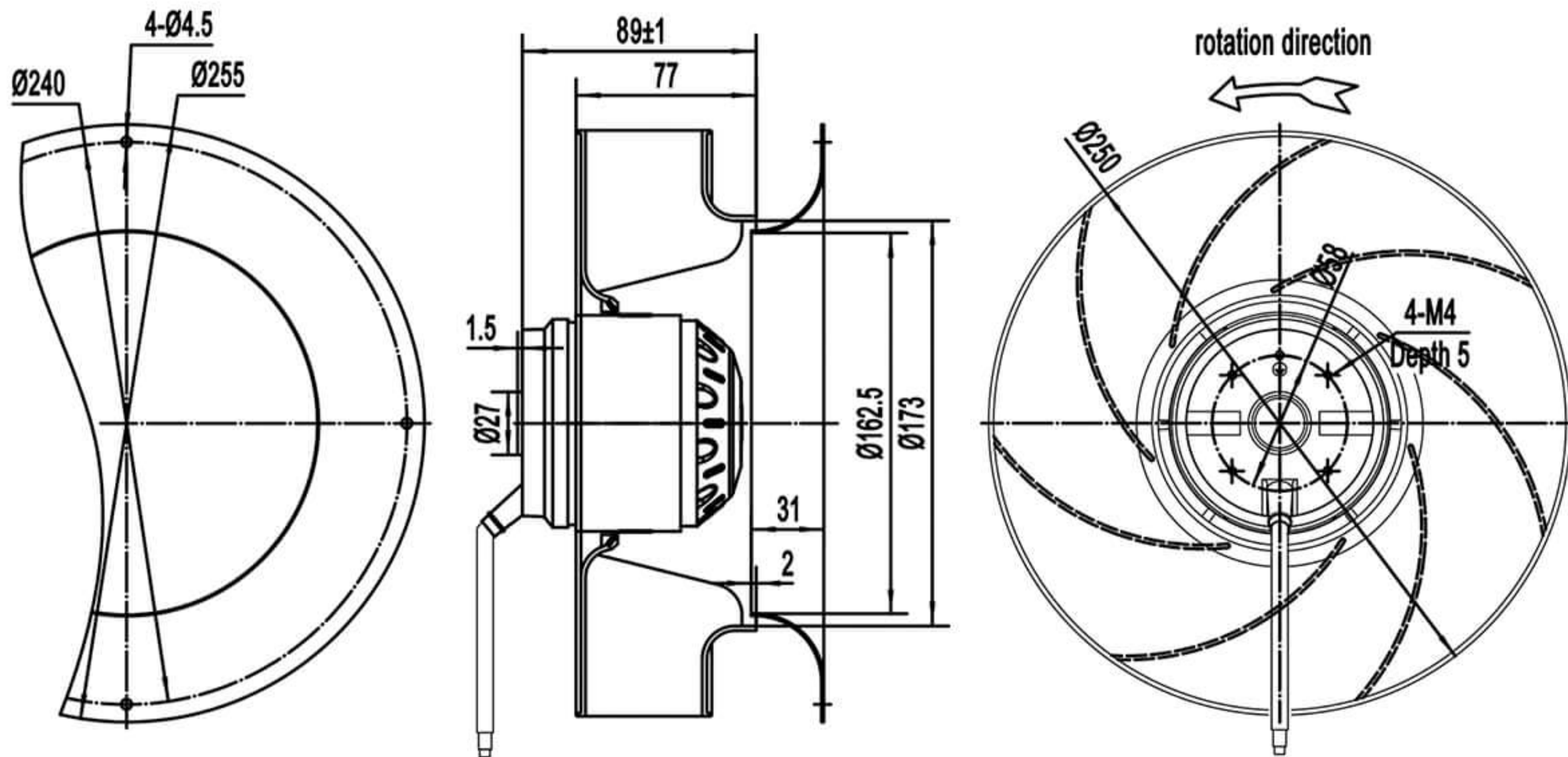


	Voltage V	Frequency Hz	Current A	Input Power W	Speed rpm	Capacitor $\mu$ F	Air Flow m <sup>3</sup> /h / CFM	Noise dB(A)	Temperature Min / Max(°C)	Curve No. #	Approvals
BMF250-077A-AE00	220/230	50	0.60	135	2450	4	1250 / 735	74	-30 / +60	①	CCC ,CE,RoHS
	220/230	60	0.9	190	2600	4	1150 / 676	76	-30 / +60	②	CCC ,CE,RoHS
BMF250-077A-AE00	380/400	50	0.32	160	2450	/	1250 / 735	74	-30 / +60	①	CCC ,CE,RoHS
	380/400	60	0.38	185	2600	/	1150 / 676	76	-30 / +60	②	CCC ,CE,RoHS

# 250-77 Backward Centrifugal Fan

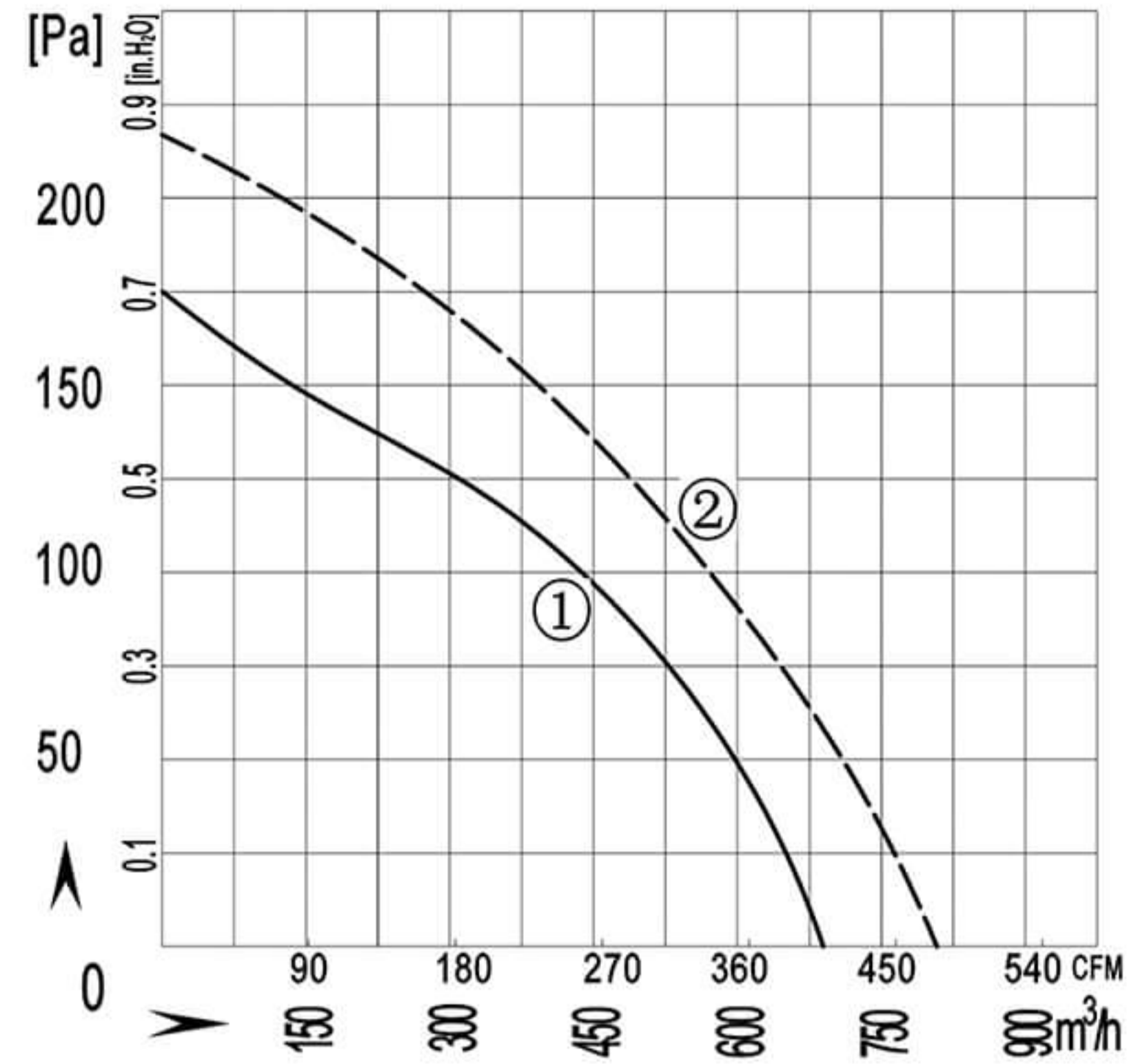


Impeller material: Plastic PA66  
 Protection Class: IP44  
 Approvals: CCC CE  
 Insulation class: F

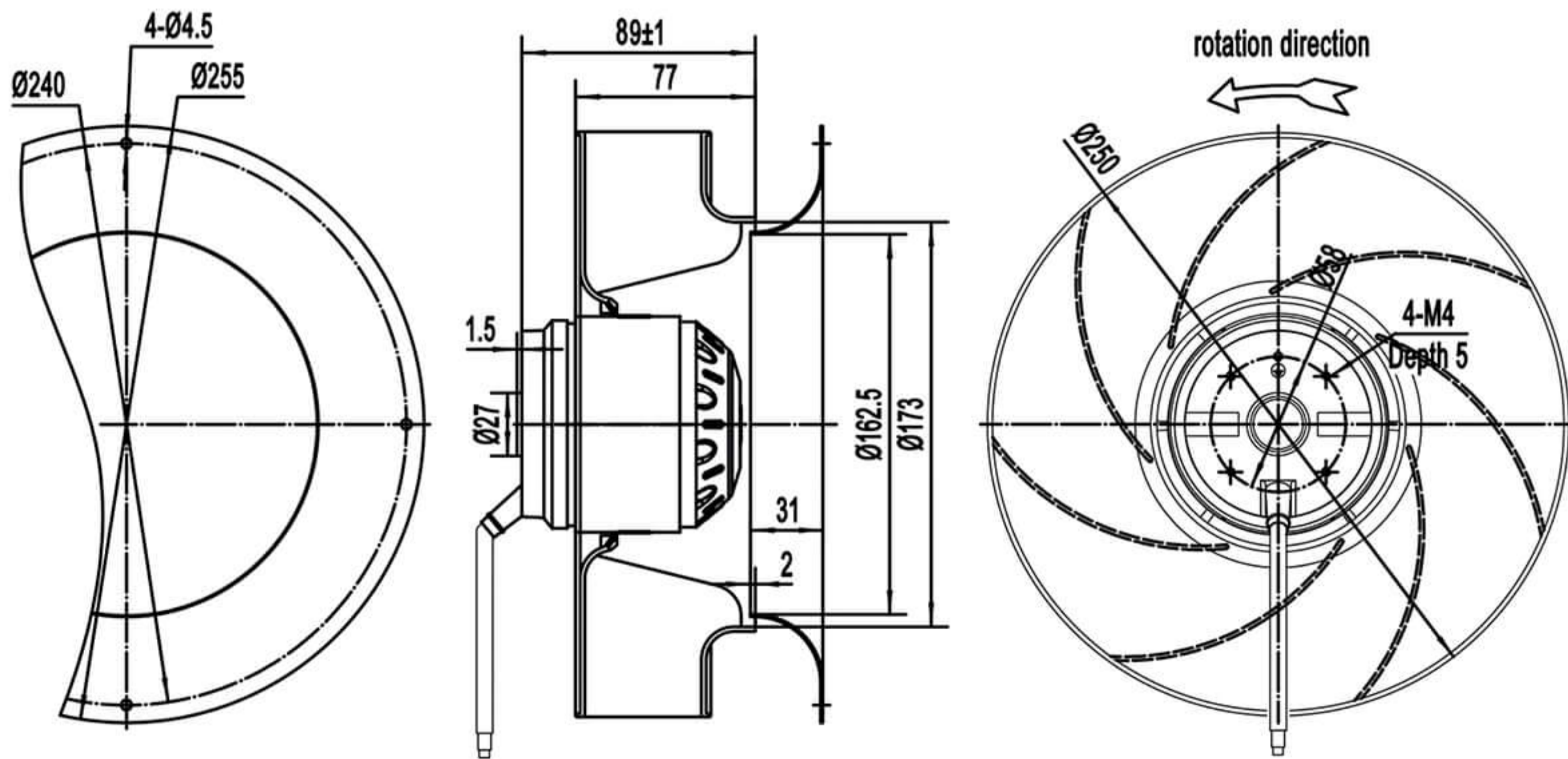


	Voltage V	Frequency Hz	Current A	Input Power W	Speed rpm	Capacitor µF	Air Flow m3/h / CFM	Noise dB(A)	Temperature Min / Max(°C)	Curve No. #	Approvals
BMF250-077A-AC00	220/230	50	0.28	53	1400	2	680 / 400	61	-30 / +60	①	CCC ,CE,RoHS
	220/230	60	0.28	58	1600	2	800 / 470	64	-30 / +60	②	CCC ,CE,RoHS
BMF250-077A-AC00	380/400	50	0.15	53	1400	/	680 / 400	61	-30 / +60	①	CCC ,CE,RoHS
	380/400	60	0.16	58	1600	/	800 / 470	64	-30 / +60	②	CCC ,CE,RoHS

# 250-77 Backward Centrifugal Fan



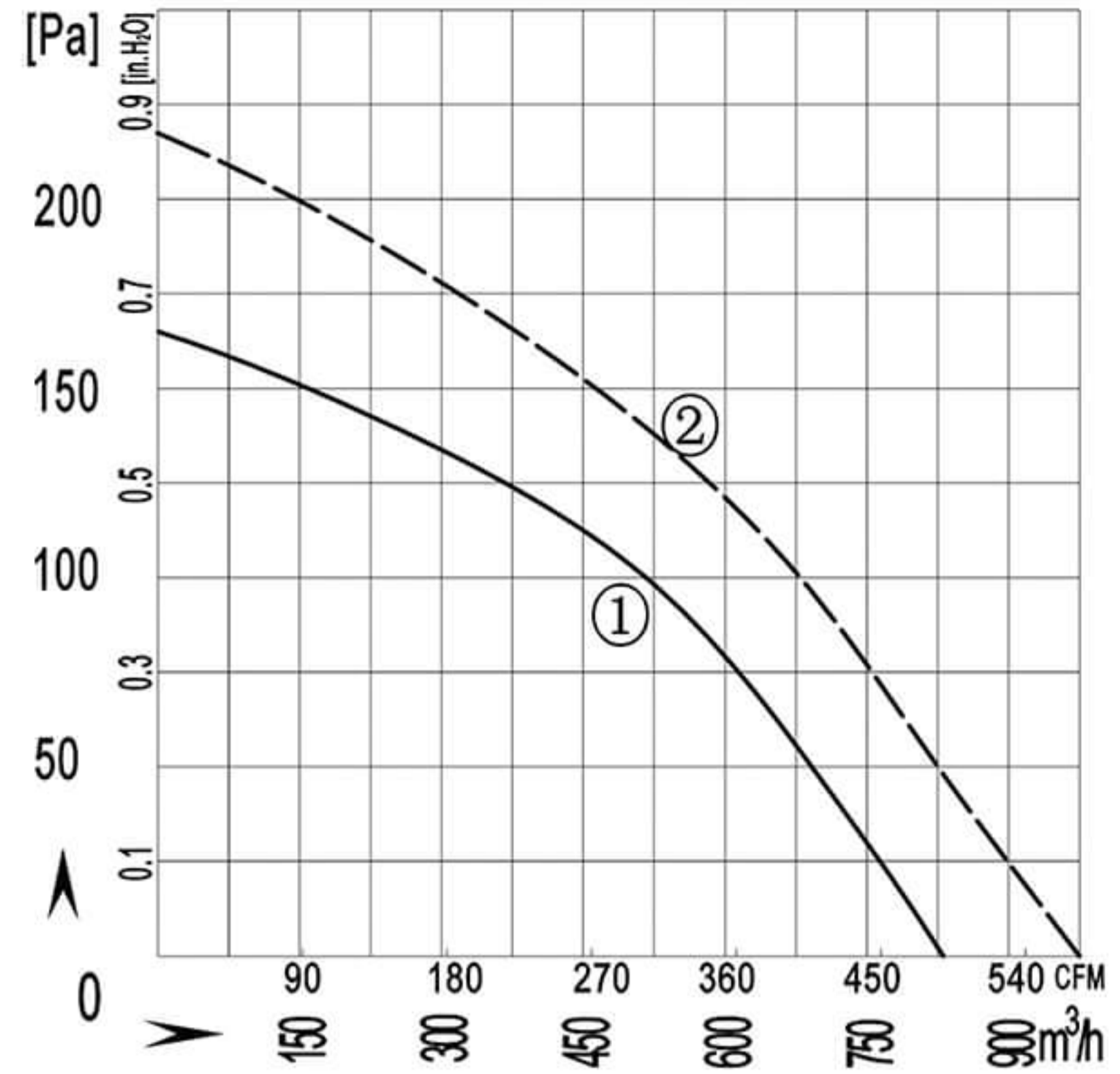
Impeller material: Plastic PA66  
 Protection Class: IP44  
 Approvals: CCC CE  
 Insulation class: F



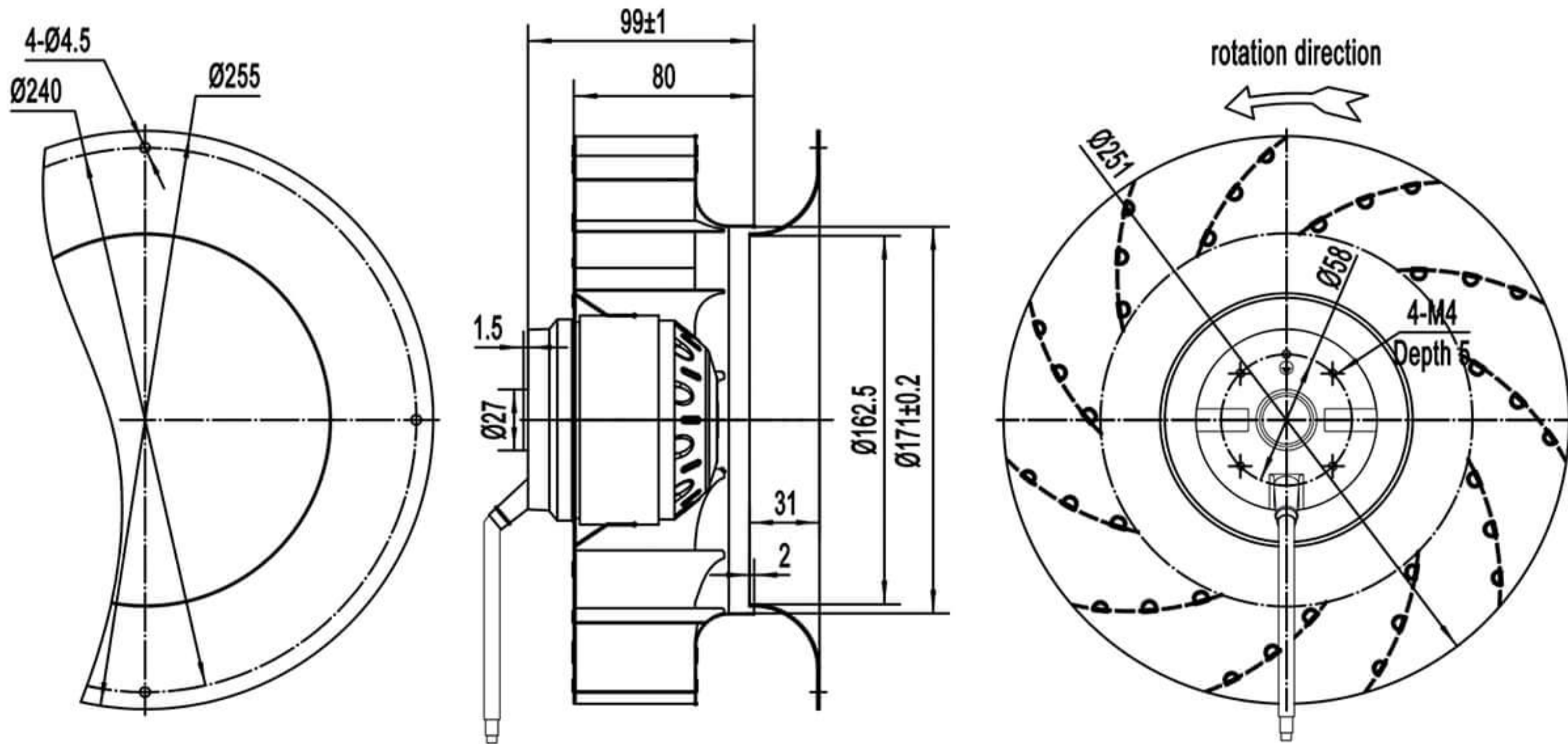
	Voltage V	Frequency Hz	Current A	Input Power W	Speed rpm	Capacitor $\mu$ F	Air Flow m <sup>3</sup> /h / CFM	Noise dB(A)	Temperature Min / Max(°C)	Curve No. #	Approvals
BMF250-077A-AC00	220/230	50	0.28	53	1400	2	680 / 400	61	-30 / +60	①	CCC ,CE,RoHS
	220/230	60	0.28	58	1600	2	800 / 470	64	-30 / +60	②	CCC ,CE,RoHS
BMF250-077A-AC00	380/400	50	0.15	53	1400	/	680 / 400	61	-30 / +60	①	CCC ,CE,RoHS
	380/400	60	0.16	58	1600	/	800 / 470	64	-30 / +60	②	CCC ,CE,RoHS



# 250-080 Backward Centrifugal Fan

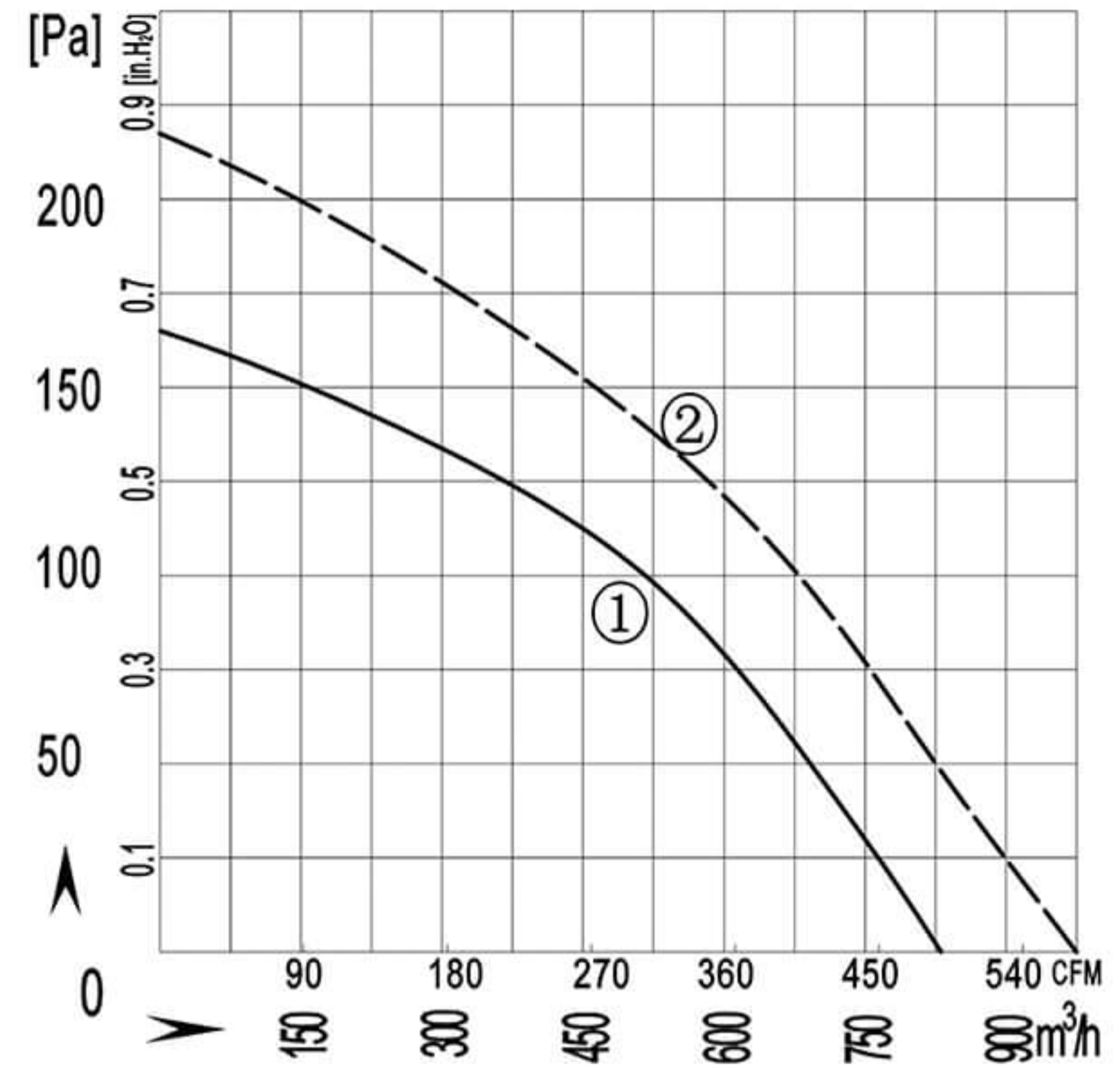


material: Galvanised sheet steel  
 Protection Class: IP44  
 Approvals: CCC CE  
 Insulation class: F

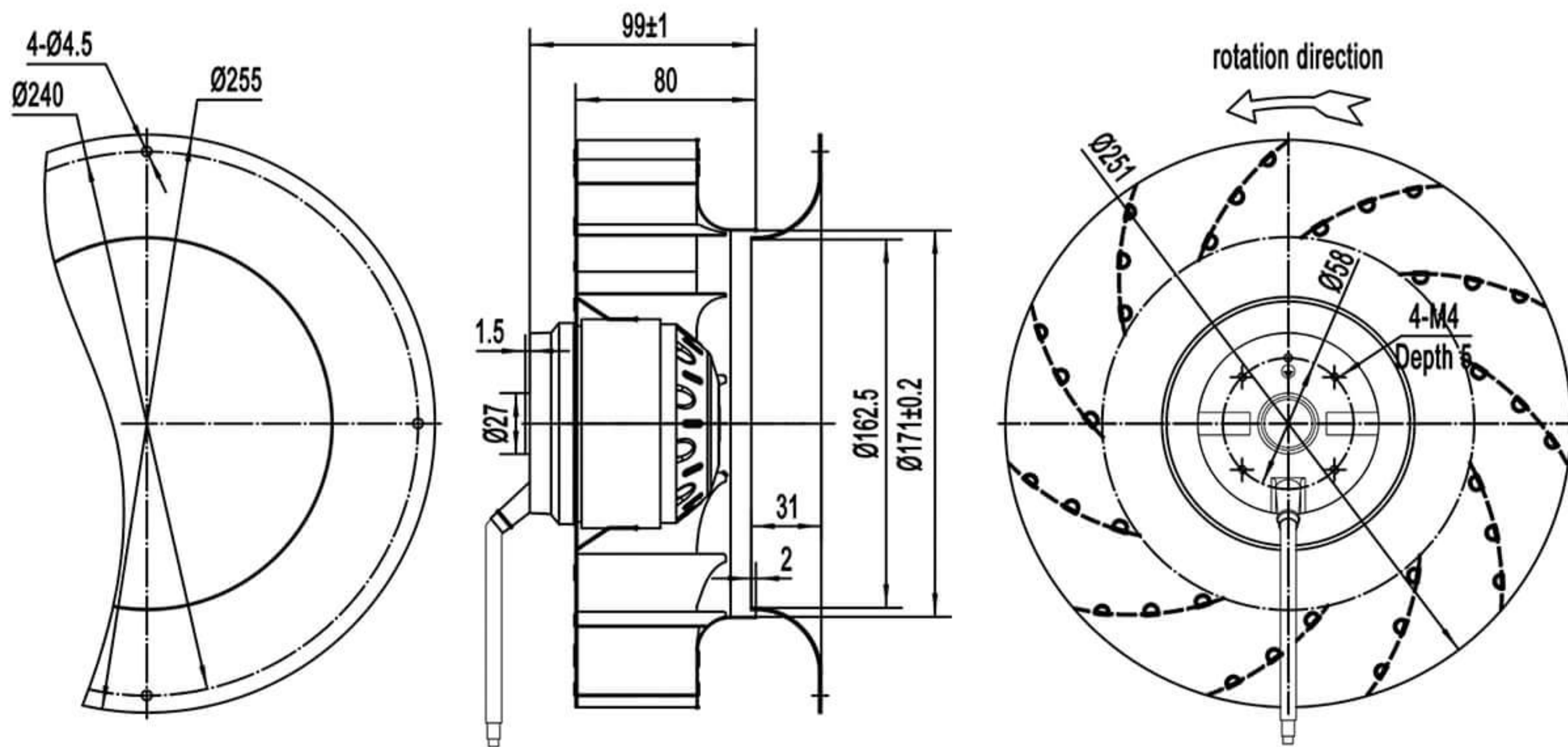


	Voltage V	Frequency Hz	Current A	Input Power W	Speed rpm	Capacitor µF	Air Flow m3/h / CFM	Noise dB(A)	Temperature Min / Max(°C)	Curve No. #	Approvals
BMF250-080A-AC00	220/230	50	0.24	50	1400	2	830 / 488	68	-30 / +60	①	CCC ,CE,RoHS
	220/230	60	0.27	60	1600	2	950 / 558	70	-30 / +60	②	CCC ,CE,RoHS
BMF250-080A-AC00	380/400	50	0.15	50	1450	/	830 / 488	68	-30 / +60	①	CCC ,CE,RoHS
	380/400	60	0.15	60	1600	/	950 / 558	70	-30 / +60	②	CCC ,CE,RoHS

# 250-080 Backward Centrifugal Fan

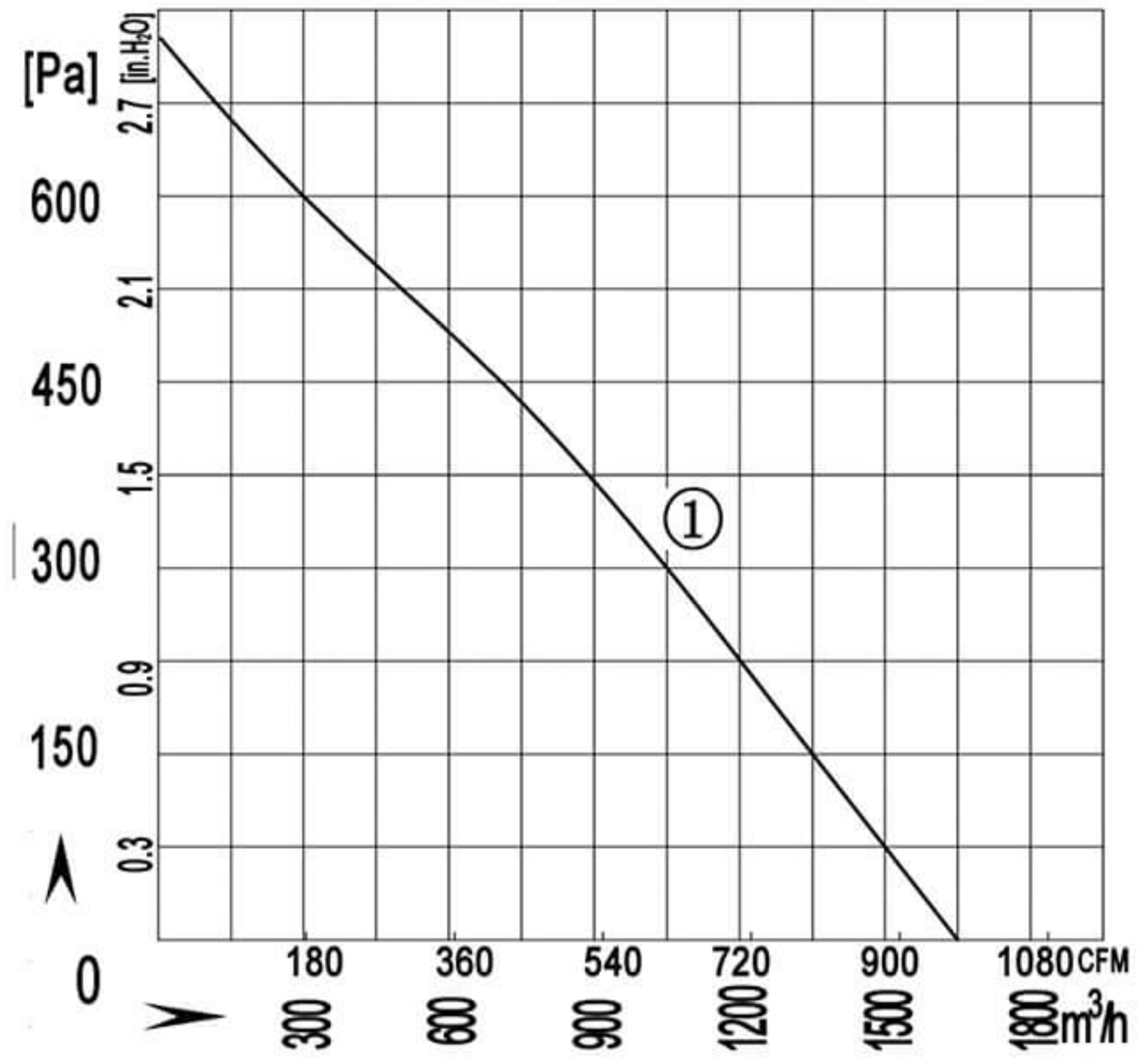


material: Galvanised sheet steel  
 Protection Class: IP44  
 Approvals: CCC CE  
 Insulation class: F

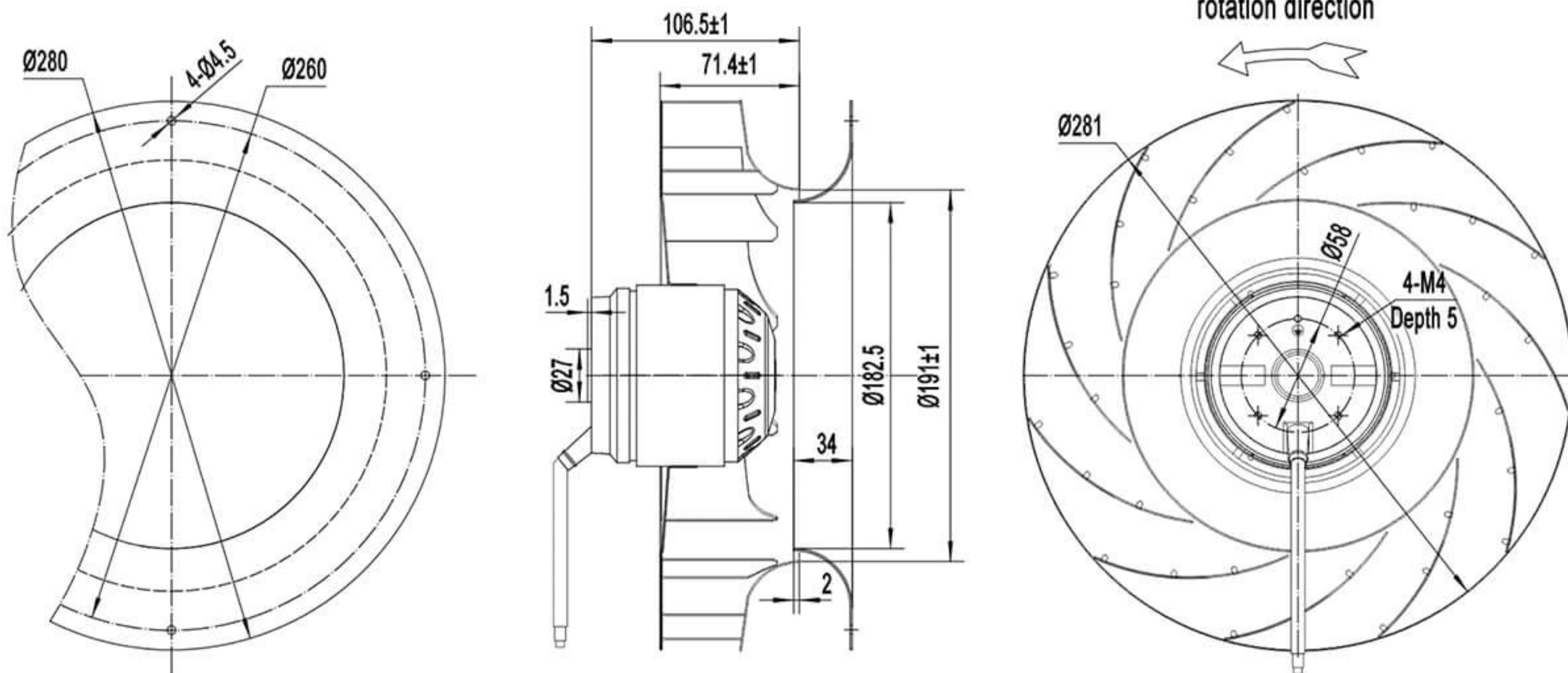


	Voltage V	Frequency Hz	Current A	Input Power W	Speed rpm	Capacitor µF	Air Flow m³/h / CFM	Noise dB(A)	Temperature Min / Max(°C)	Curve No. #	Approvals
BMF250-080A-AC00	220/230	50	0.24	50	1400	2	830 / 488	68	-30 / +60	①	CCC ,CE,RoHS
	220/230	60	0.27	60	1600	2	950 / 558	70	-30 / +60	②	CCC ,CE,RoHS
BMF250-080A-AC00	380/400	50	0.15	50	1450	/	830 / 488	68	-30 / +60	①	CCC ,CE,RoHS
	380/400	60	0.15	60	1600	/	950 / 558	70	-30 / +60	②	CCC ,CE,RoHS

# 280-071 Backward Centrifugal Fan

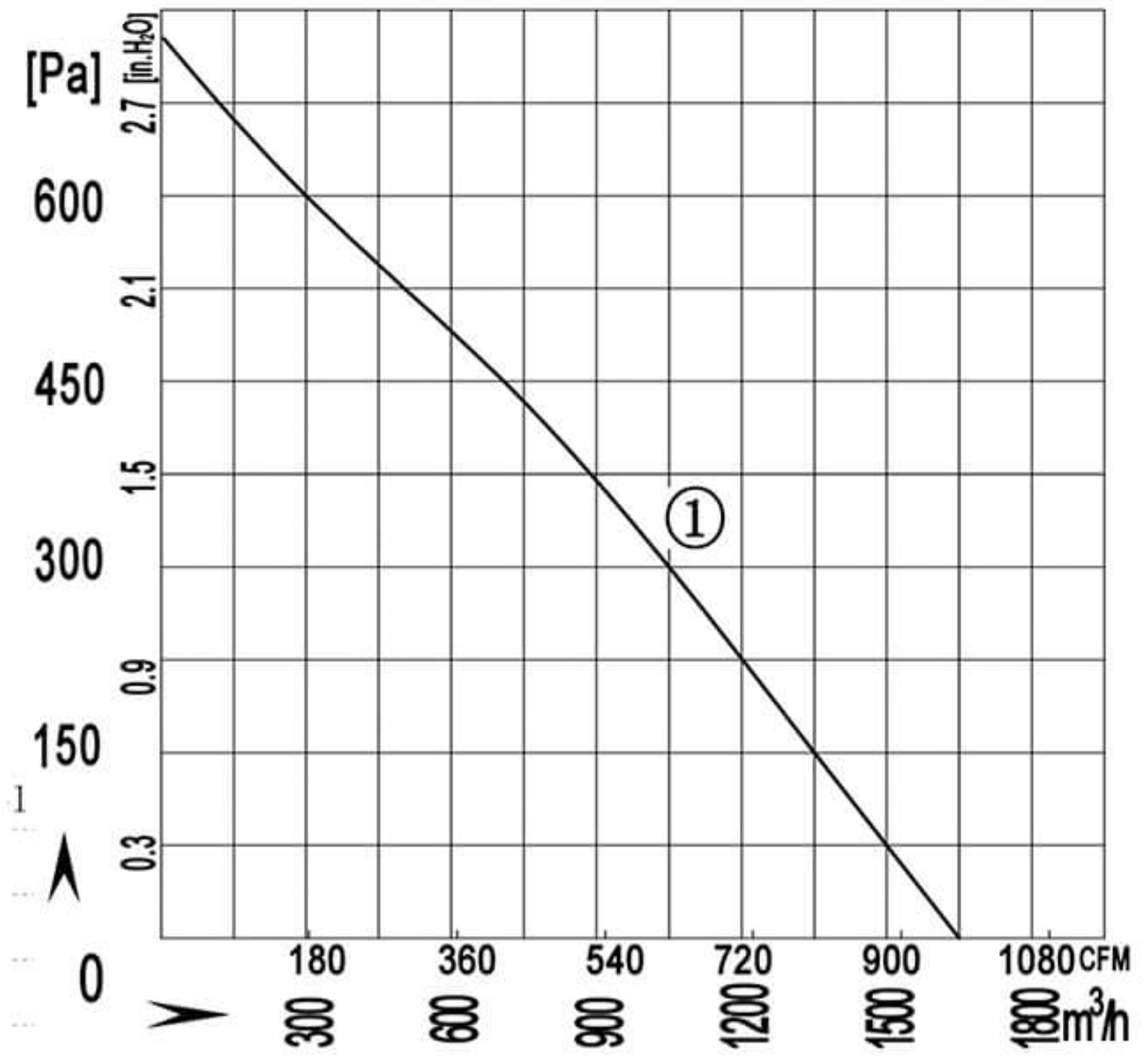


material: Galvanised sheet steel  
 Protection Class: IP44  
 Approvals: CCC CE  
 Insulation class: F

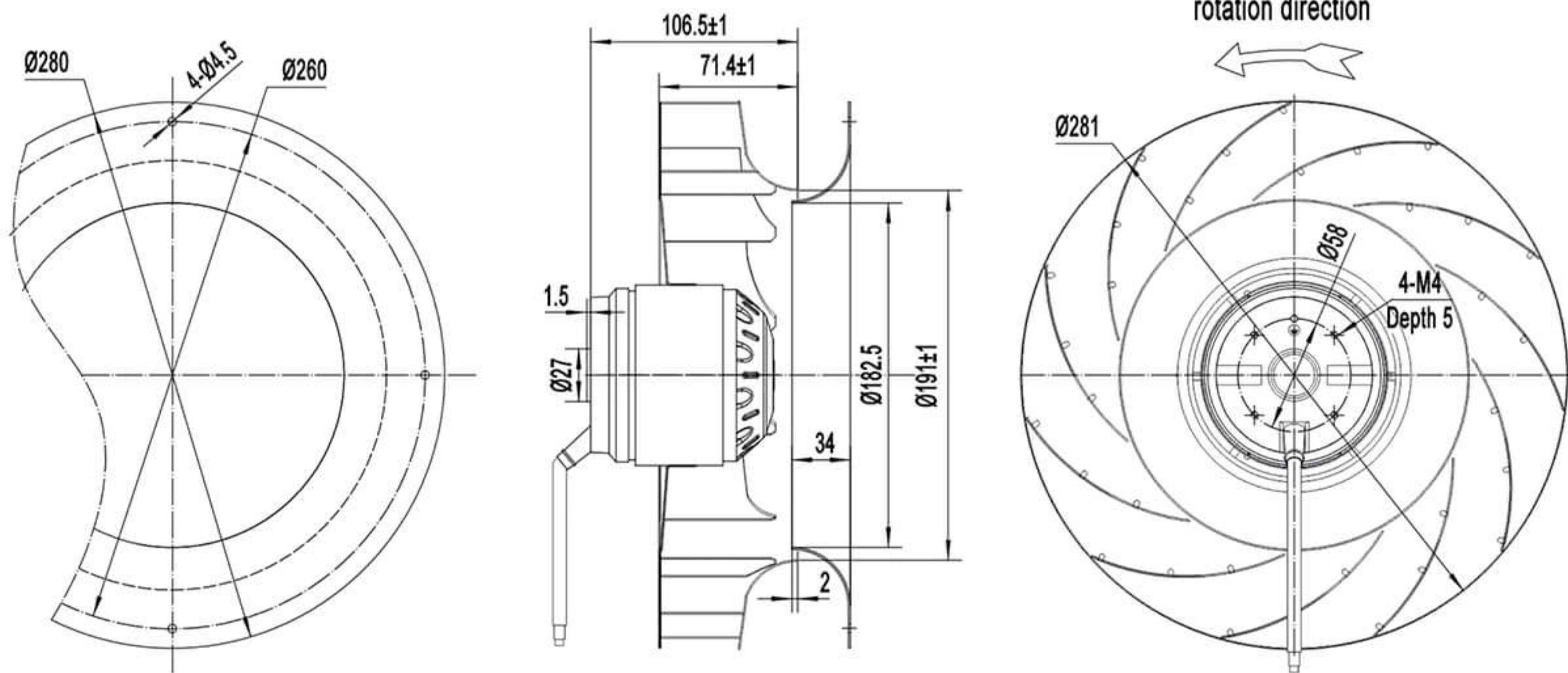


	Voltage V	Frequency Hz	Current A	Input Power W	Speed rpm	Capacitor µF	Air Flow m³/h / CFM	Noise dB(A)	Temperature Min / Max(°C)	Curve No. #	Approvals
BMF 280-071A-AG00	220/230	50	1.1	230	2450	6	1650 / 970	79	-30 / +60	①	CCC ,CE,RoHS
BMF 280-071A-AG00	380/400	50	0.6	200	2500	/	1650 / 970	79	-30 / +60	①	CCC ,CE,RoHS

# 280-071 Backward Centrifugal Fan

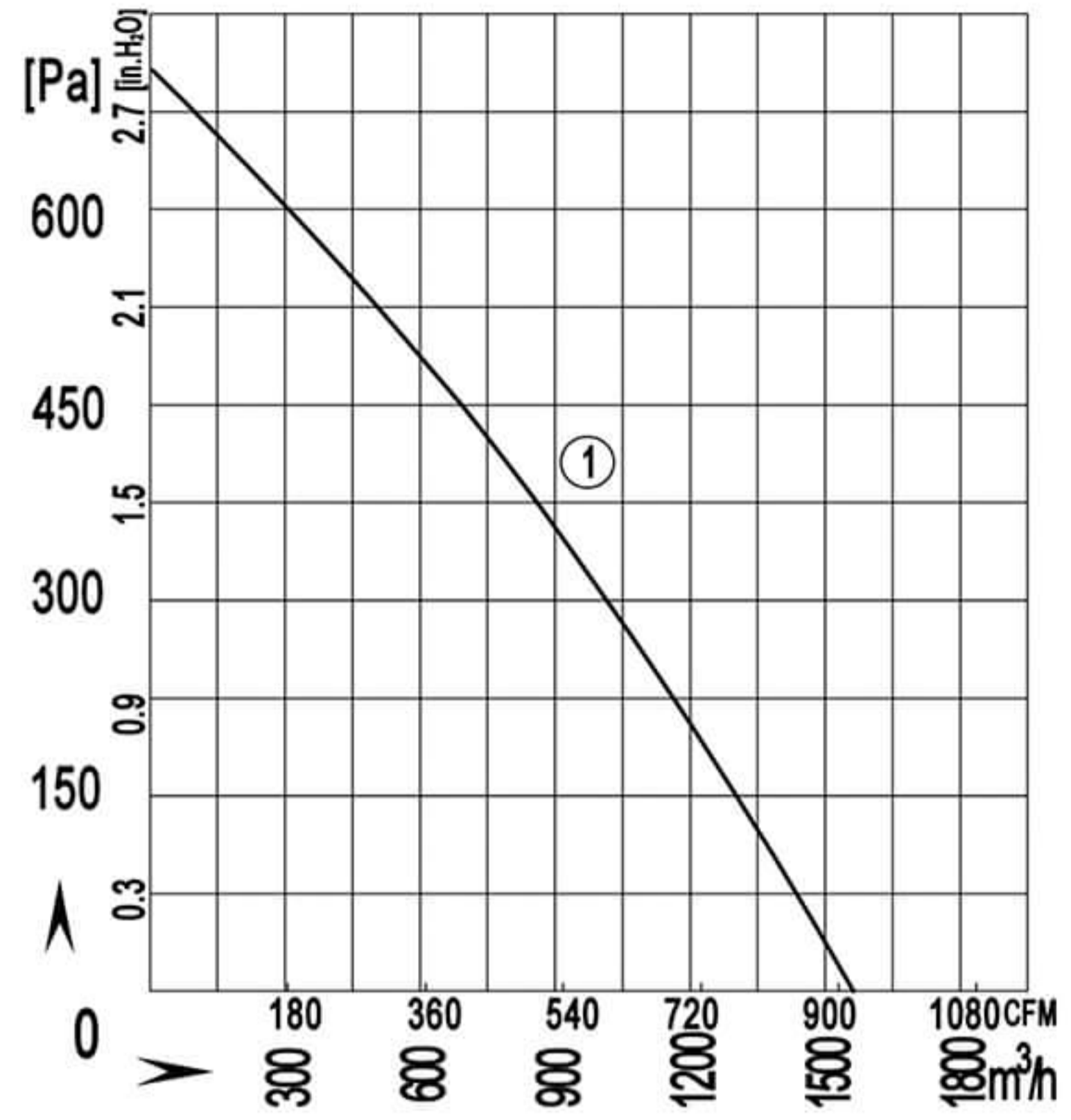
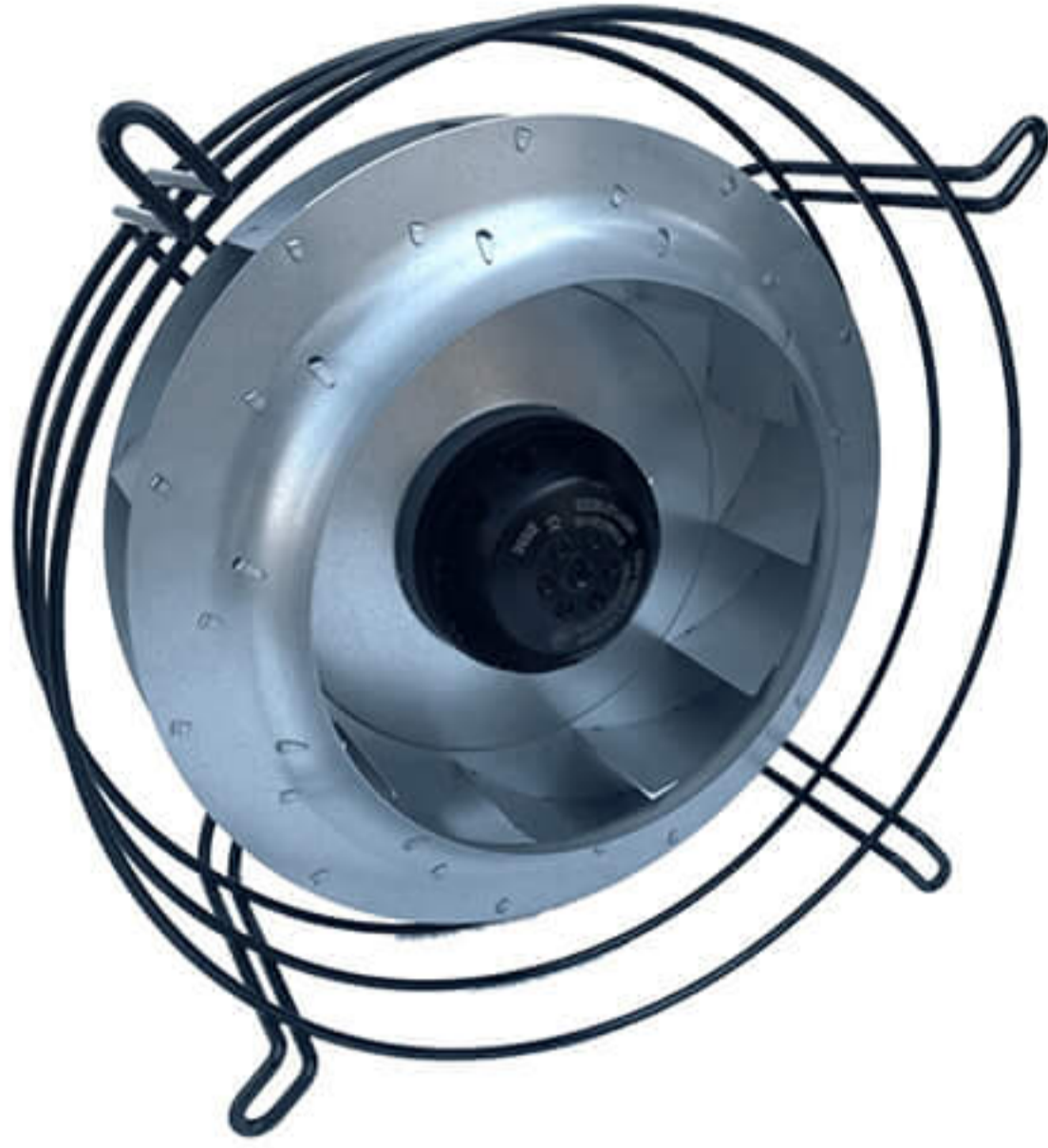


material: Galvanised sheet steel  
 Protection Class: IP44  
 Approvals: CCC CE  
 Insulation class: F

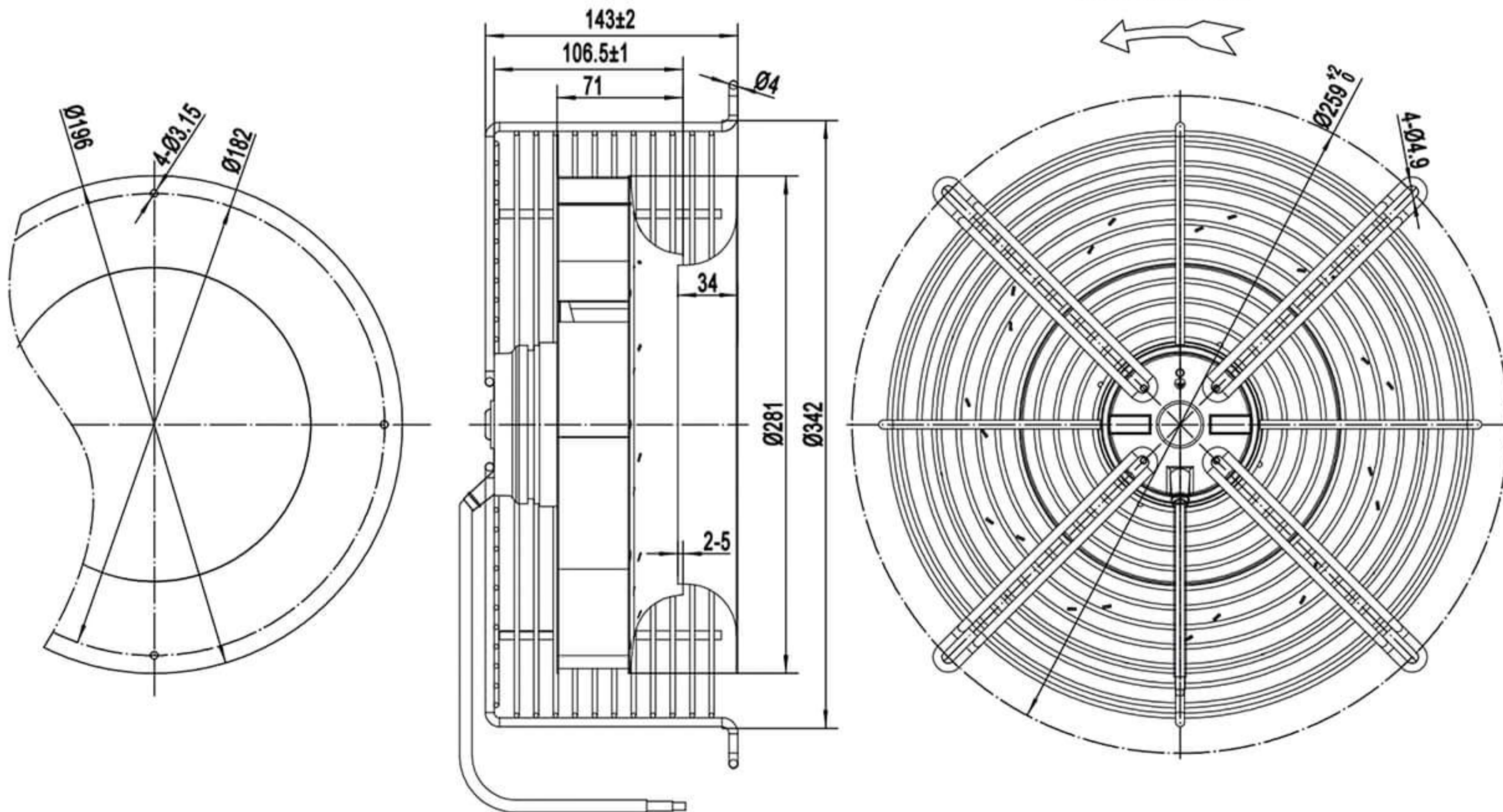


	Voltage V	Frequency Hz	Current A	Input Power W	Speed rpm	Capacitor µF	Air Flow m <sup>3</sup> /h / CFM	Noise dB(A)	Temperature Min / Max(°C)	Curve No. #	Approvals
BMF 280-071A-AG00	220/230	50	1.1	230	2450	6	1650 / 970	79	-30 / +60	①	CCC ,CE,RoHS
BMF 280-071A-AG00	380/400	50	0.6	200	2500	/	1650 / 970	79	-30 / +60	①	CCC ,CE,RoHS

# 280-071J Backward Centrifugal Fan

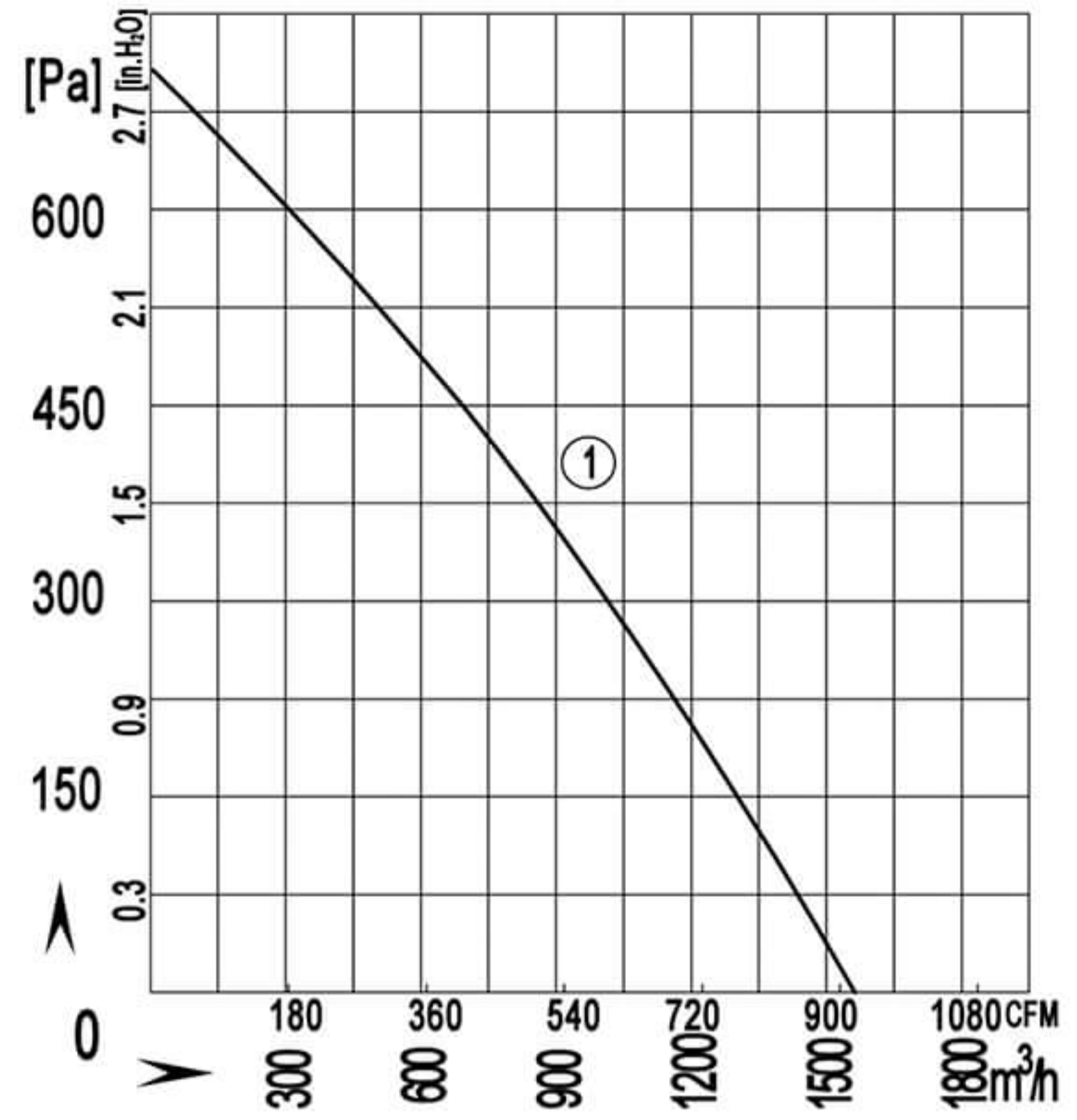
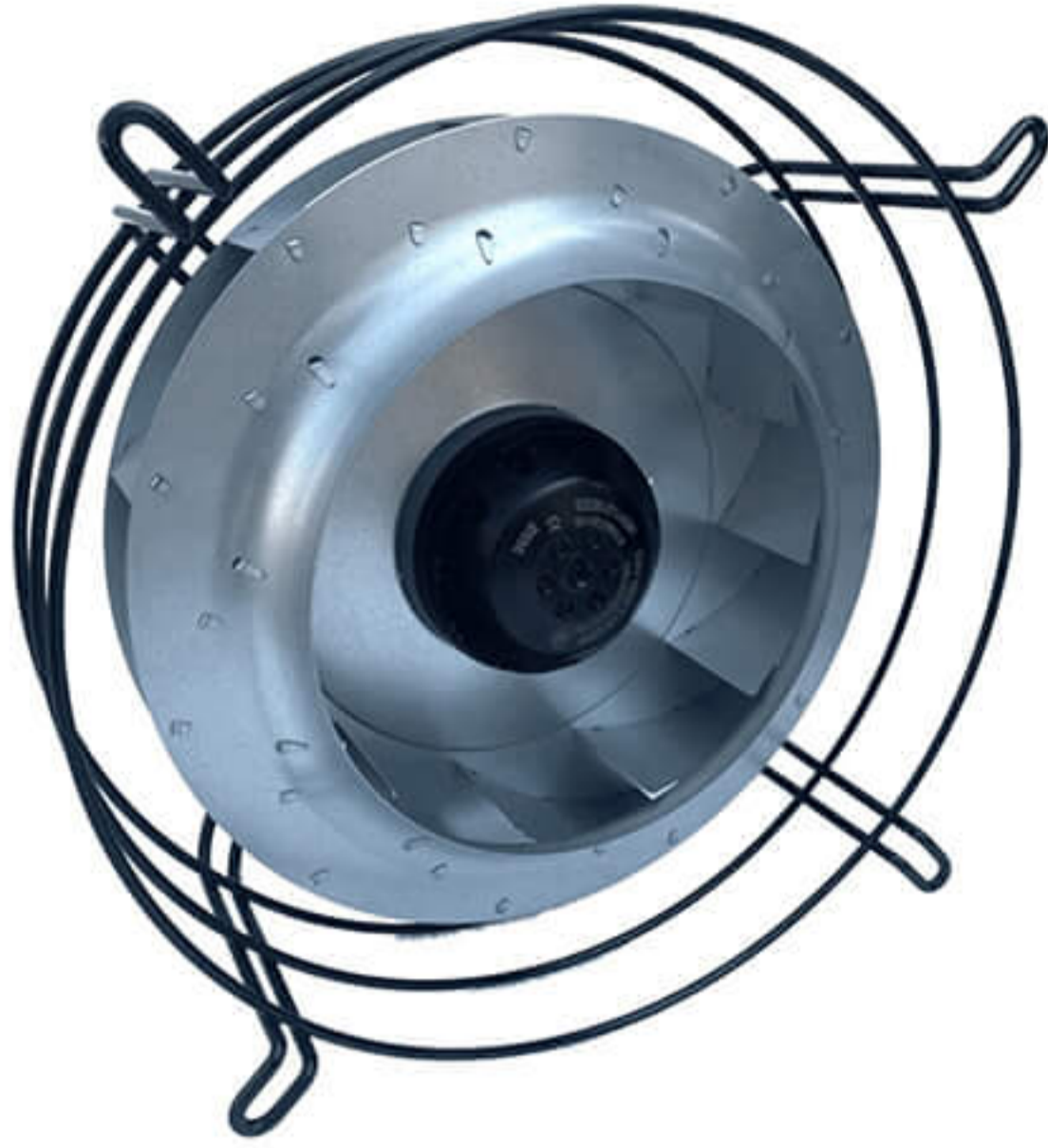


material: Galvanised sheet steel  
 Protection Class: IP44  
 Approvals: CCC CE  
 Insulation class: F

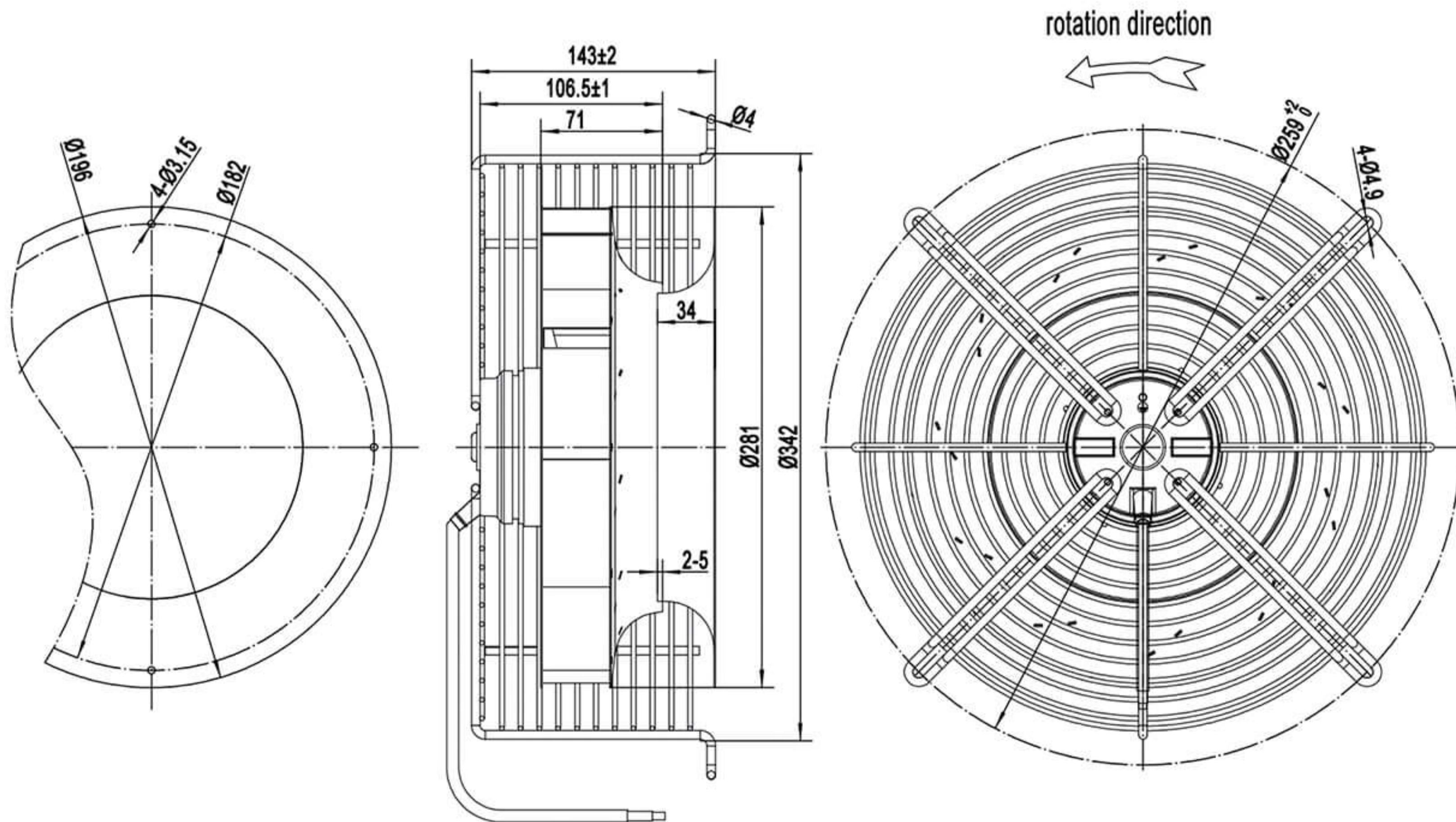


	Voltage V	Frequency Hz	Current A	Input Power W	Speed rpm	Capacitor µF	Air Flow m <sup>3</sup> /h / CFM	Noise dB(A)	Temperature Min / Max(°C)	Curve No. #	Approvals
<b>BMF280-071J-AGW0</b>	220	50	1.1	230	2500	6	1580/929	78	-30 / +60	①	CCC ,CE,RoHS

# 280-071J Backward Centrifugal Fan

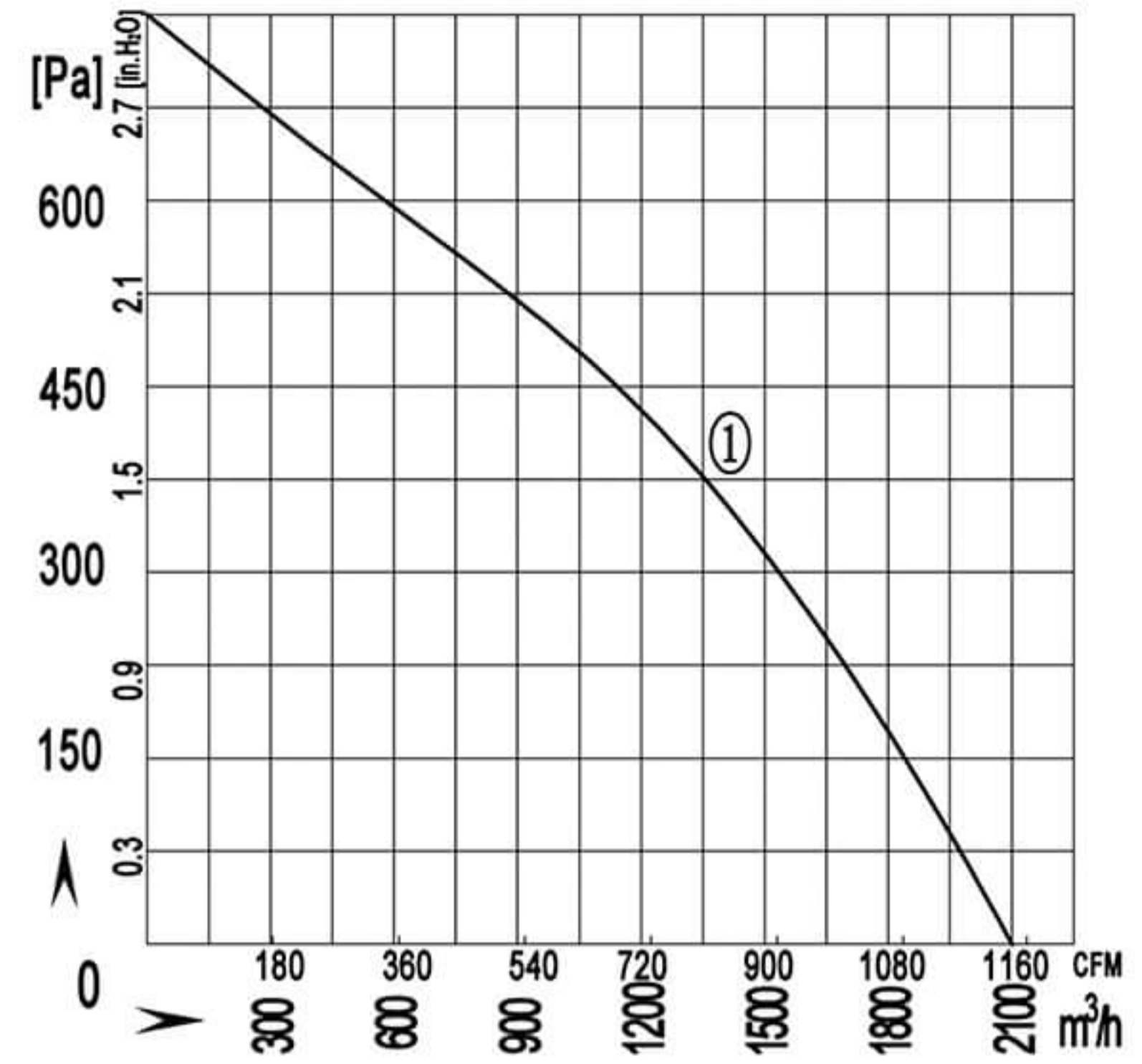
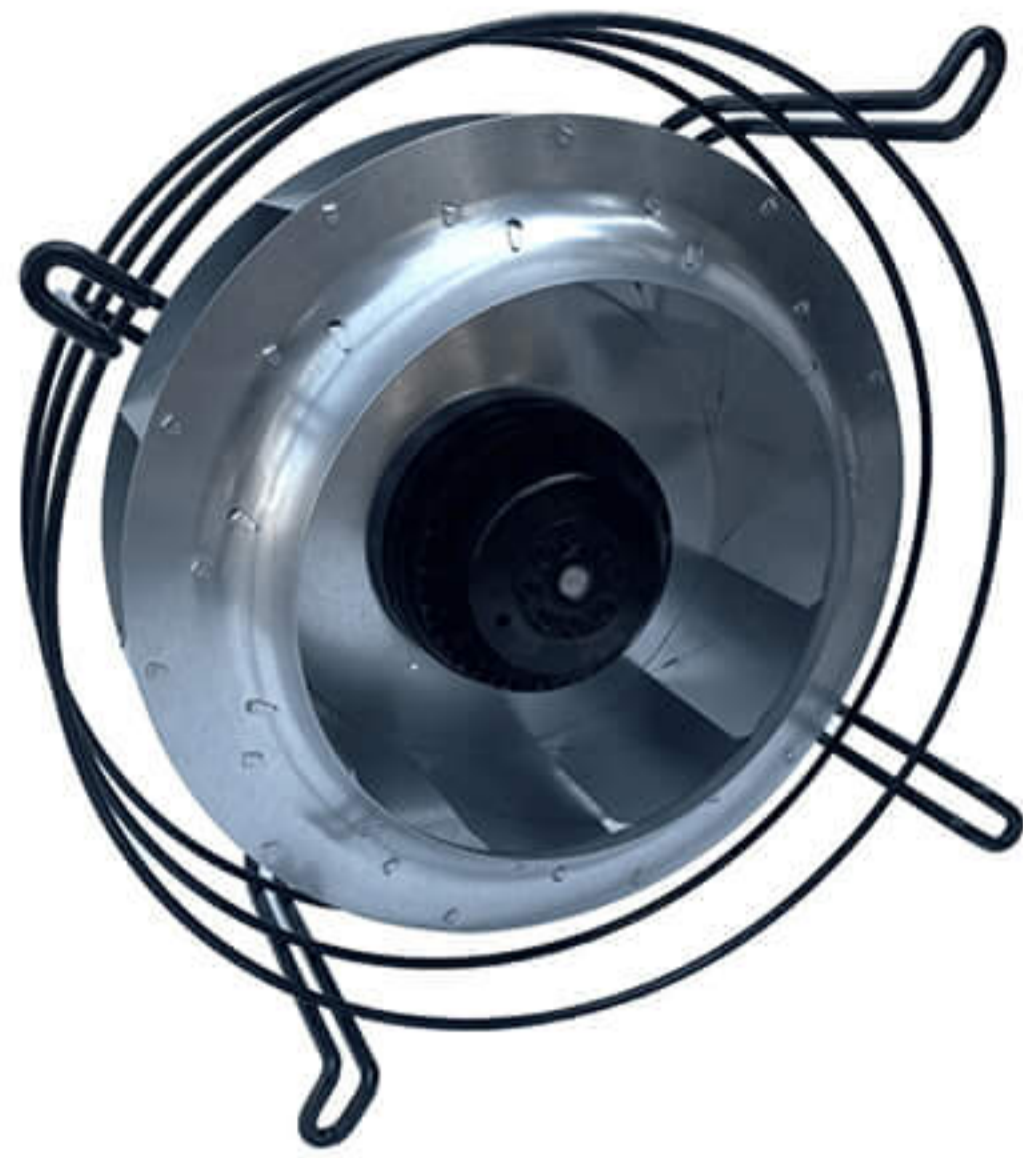


material: Galvanised sheet steel  
 Protection Class: IP44  
 Approvals: CCC CE  
 Insulation class: F

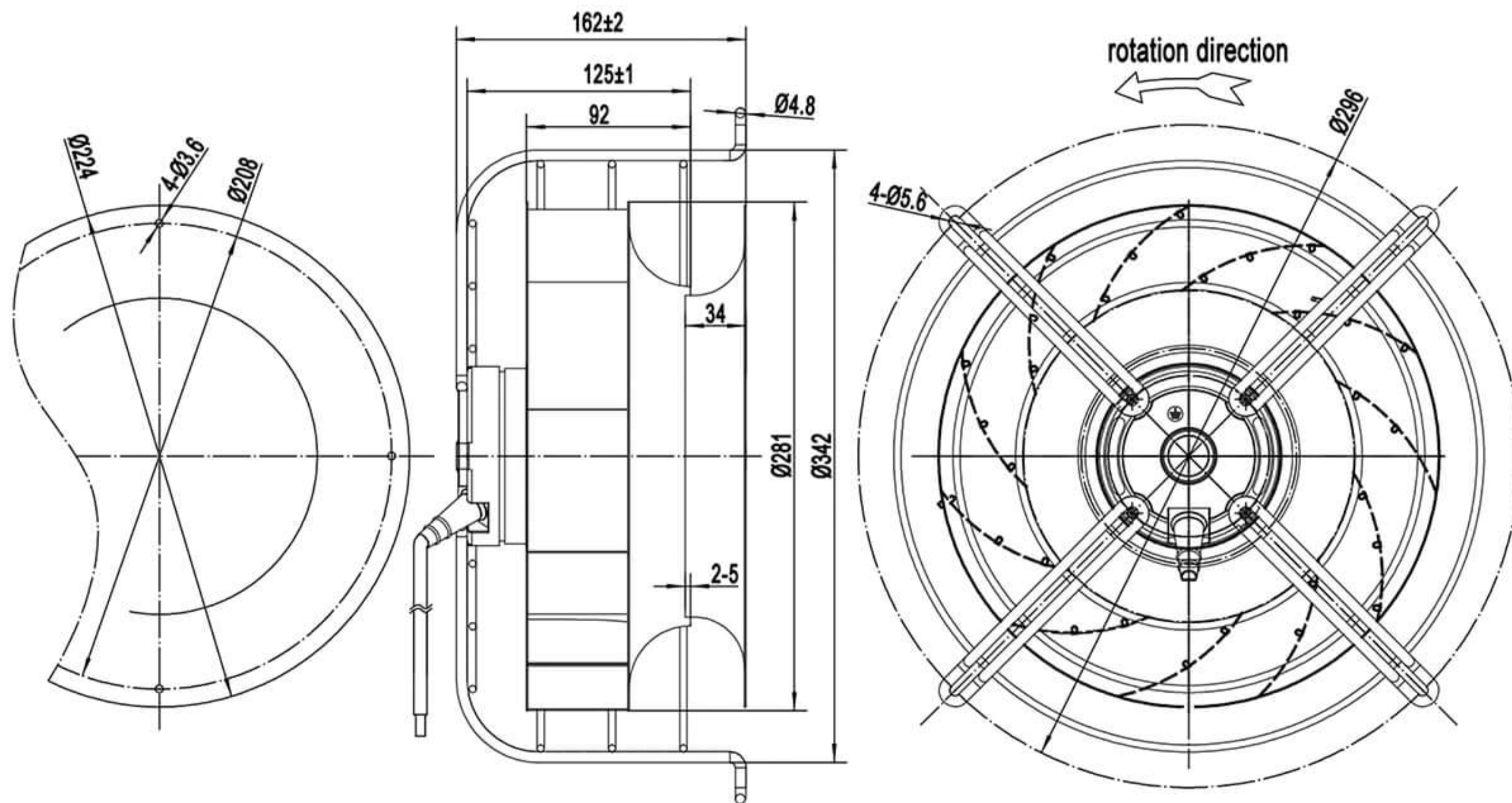


	Voltage V	Frequency Hz	Current A	Input Power W	Speed rpm	Capacitor $\mu F$	Air Flow m <sup>3</sup> /h / CFM	Noise dB(A)	Temperature Min / Max(°C)	Curve No. #	Approvals
<b>BMF280-071J-AGW0</b>	220	50	1.1	230	2500	6	1580/929	78	-30 / +60	①	CCC ,CE,RoHS

# 280-092J Backward Centrifugal Fan

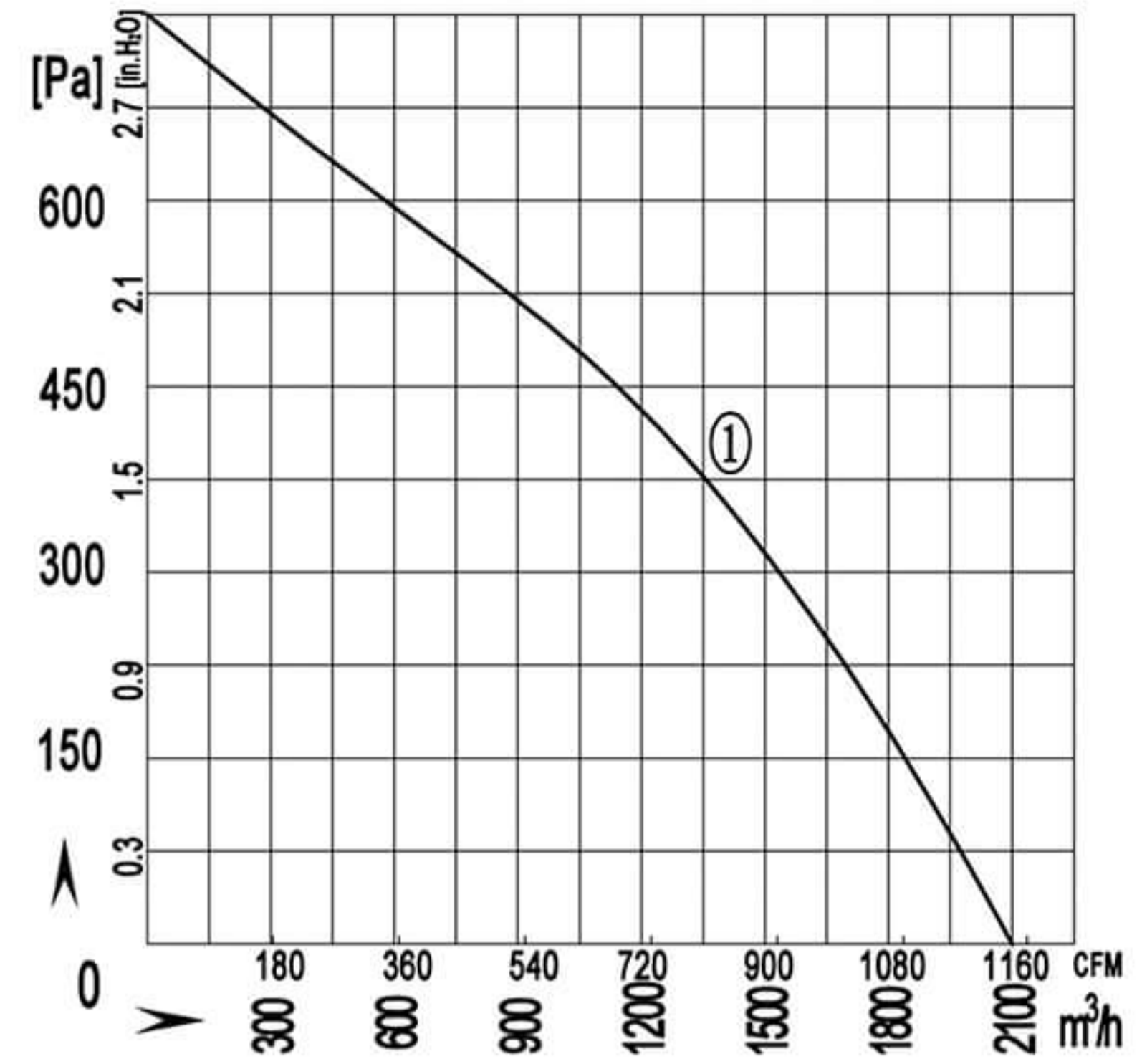
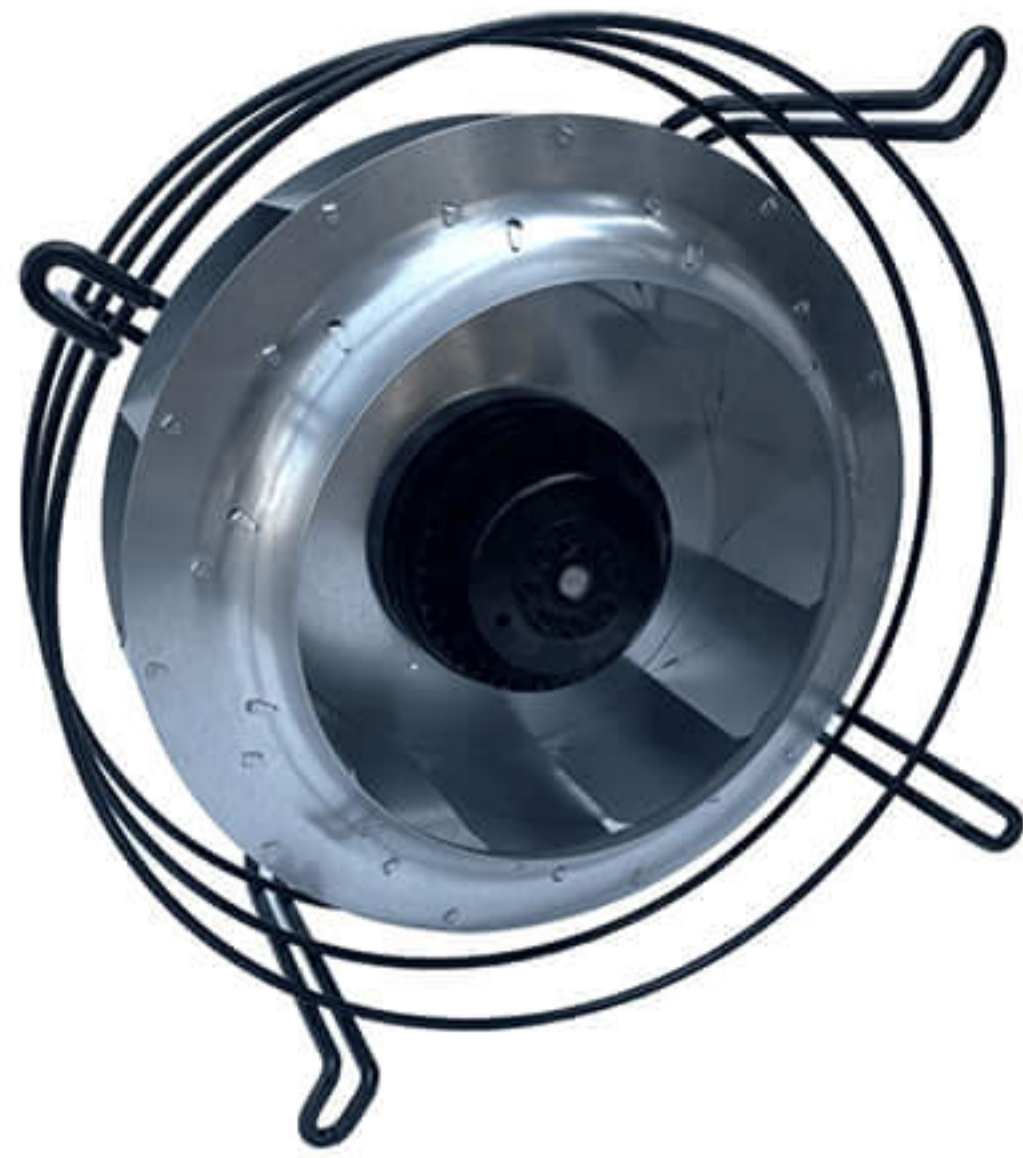


material: Galvanised sheet steel  
 Protection Class: IP54  
 Approvals: CCC CE  
 Insulation class: F

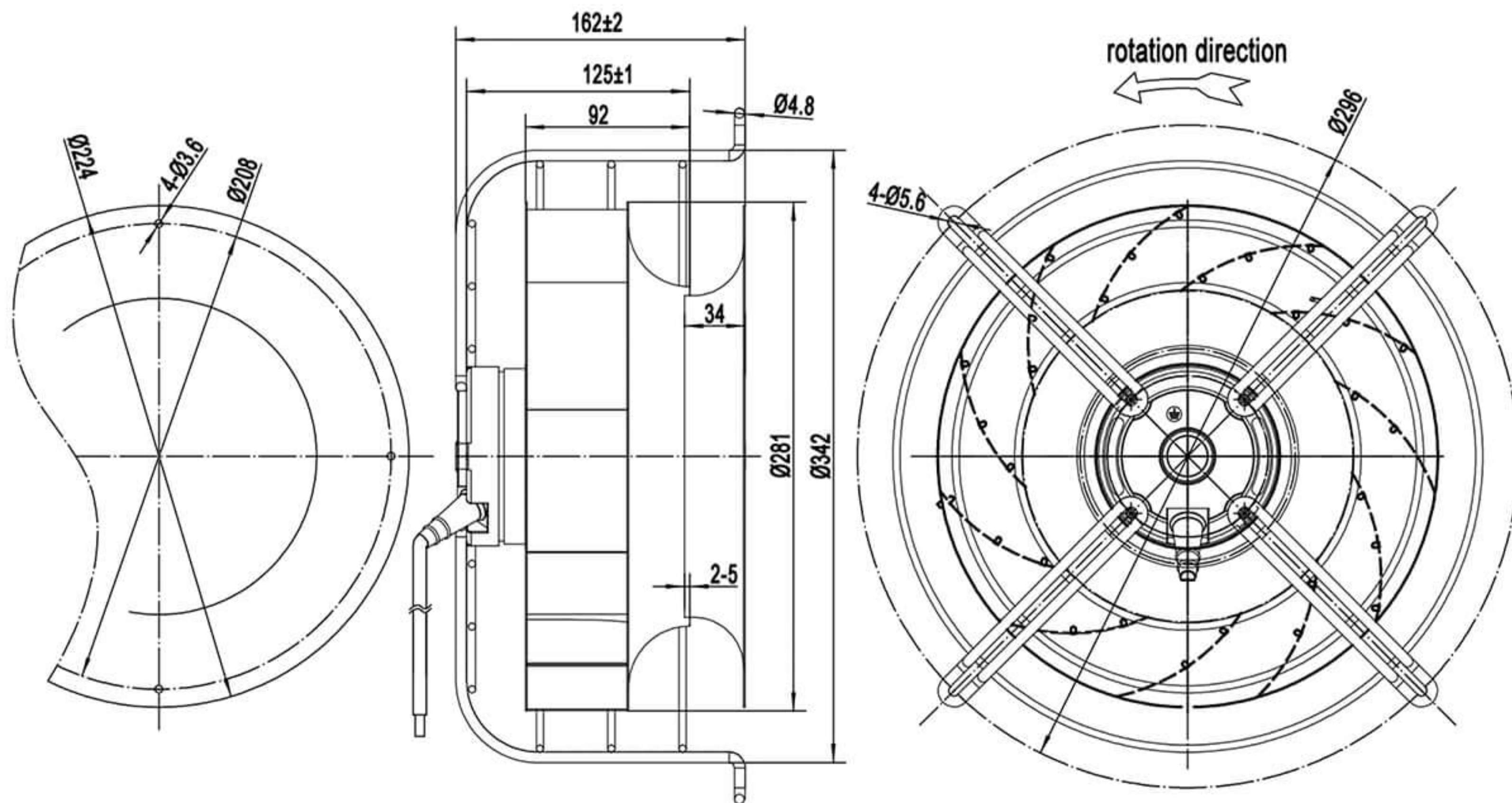


	Voltage V	Frequency Hz	Current A	Input Power W	Speed rpm	Capacitor µF	Air Flow m <sup>3</sup> /h / CFM	Noise dB(A)	Temperature Min / Max(°C)	Curve No. #	Approvals
BMF 280-092J-ANW0	220/230	50	1.5	330	2700	10	2100/1236	80	-30 / +60	①	CCC ,CE,RoHS

# 280-092J Backward Centrifugal Fan



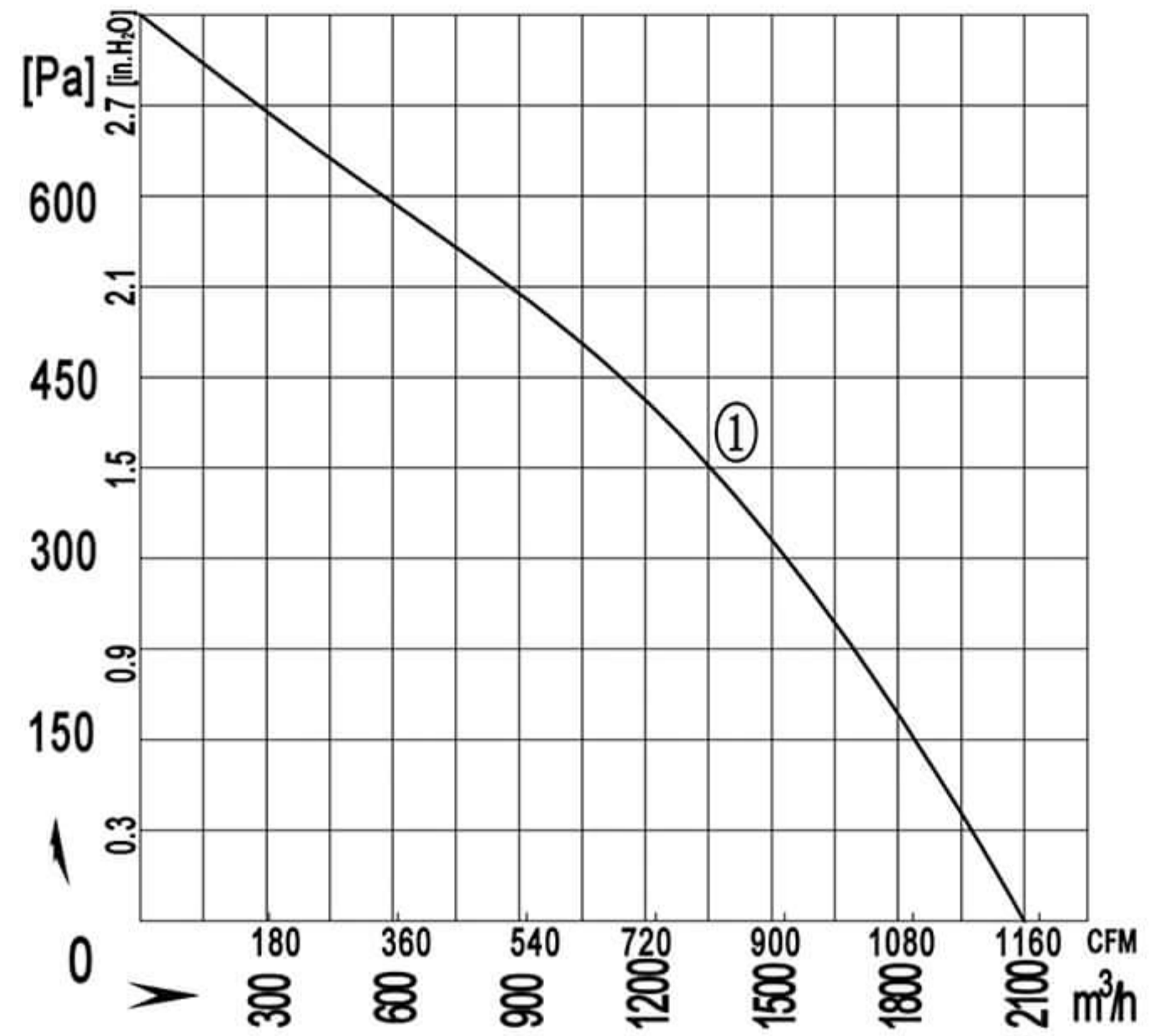
material: Galvanised sheet steel  
 Protection Class: IP54  
 Approvals: CCC CE  
 Insulation class: F



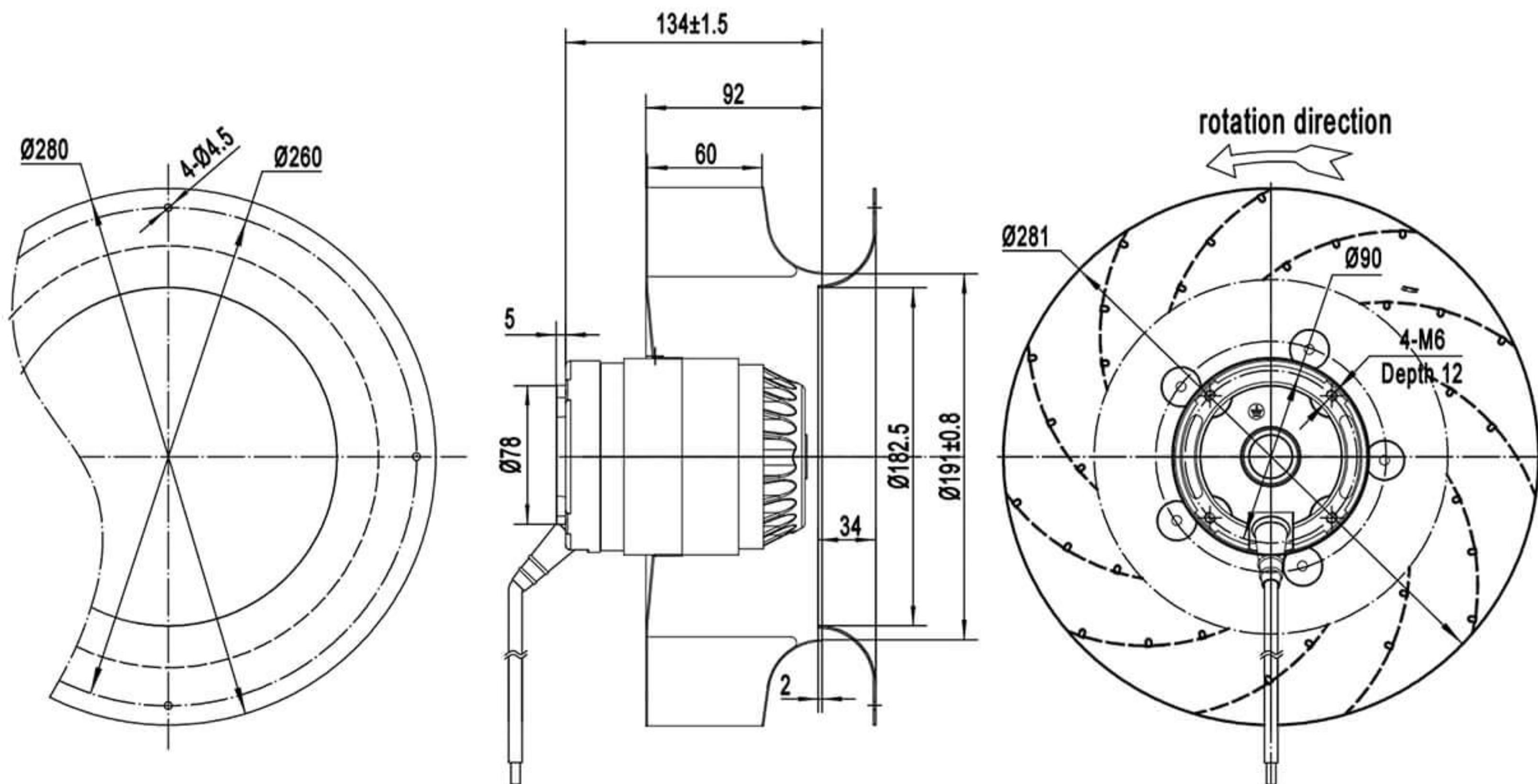
	Voltage V	Frequency Hz	Current A	Input Power W	Speed rpm	Capacitor µF	Air Flow m3/h / CFM	Noise dB(A)	Temperature Min / Max(°C)	Curve No. #	Approvals
<b>BMF 280-092J-ANW0</b>	220/230	50	1.5	330	2700	10	2100/1236	80	-30 / +60	①	CCC ,CE,RoHS



# 280-092N Backward Centrifugal Fan

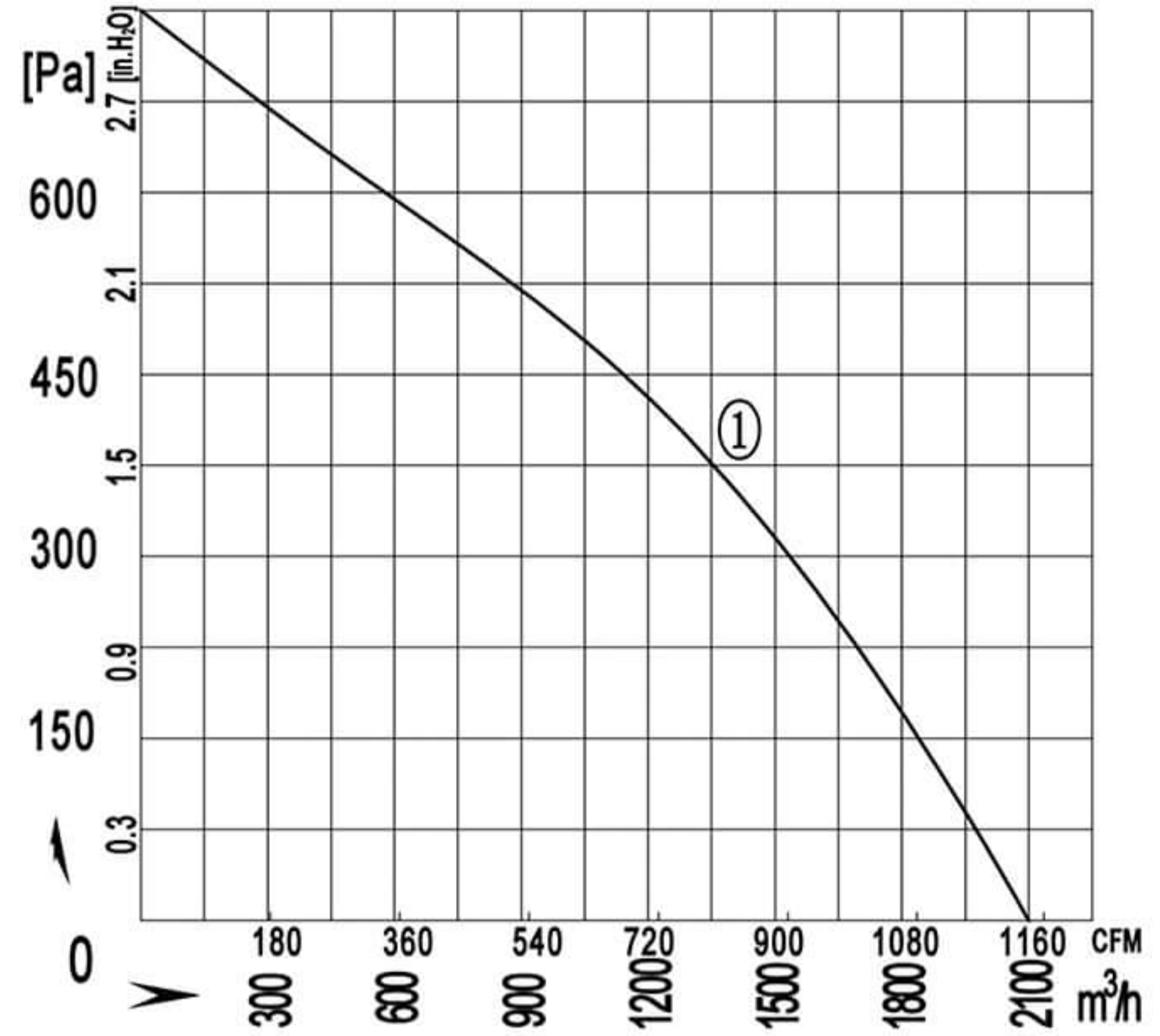


material: Sheet aluminium  
 Protection Class: IP54  
 Approvals: CCC CE  
 Insulation class: F

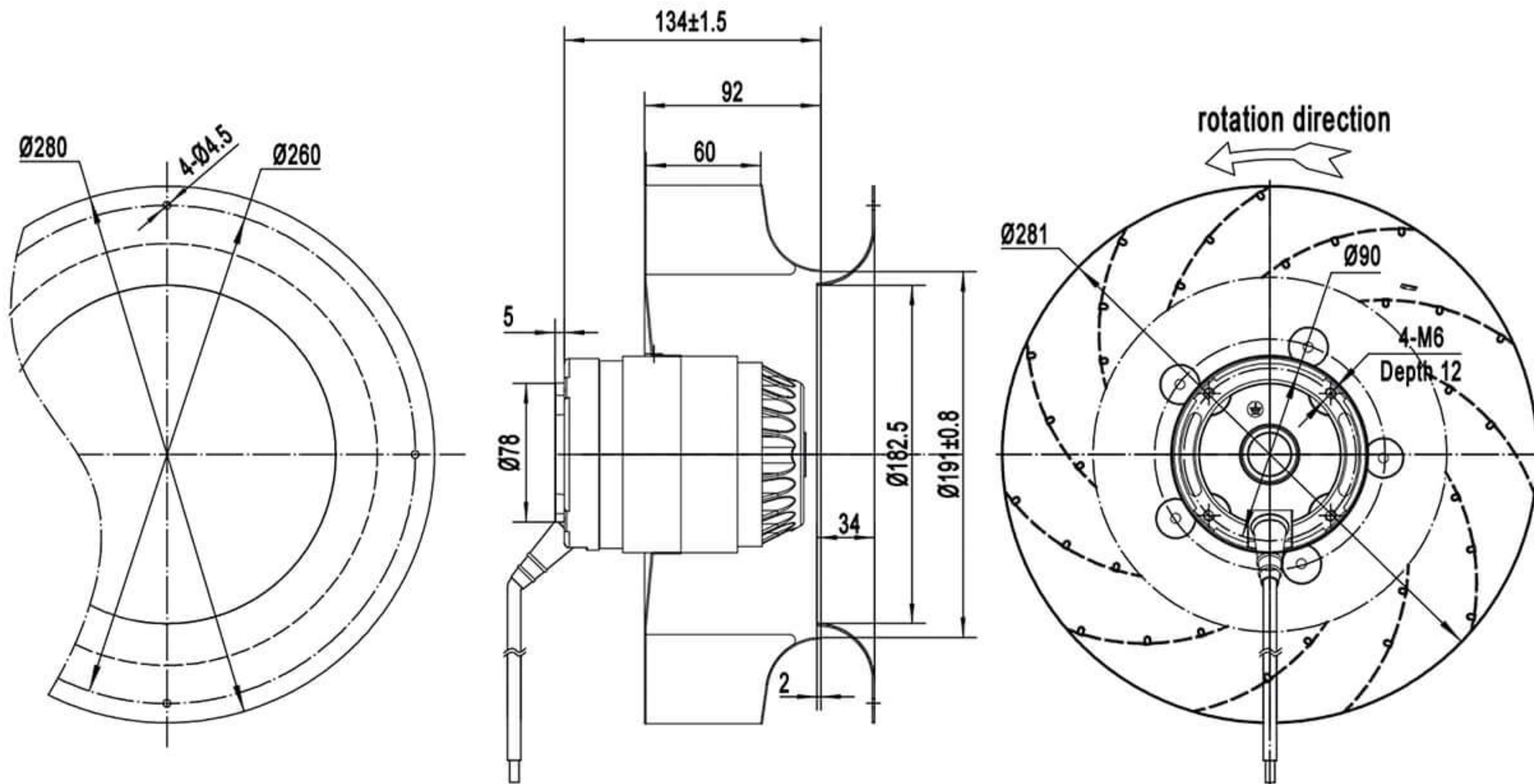


	Voltage V	Frequency Hz	Current A	Input Power W	Speed rpm	Capacitor $\mu$ F	Air Flow m <sup>3</sup> /h / CFM	Noise dB(A)	Temperature Min / Max(°C)	Curve No. #	Approvals
BMF280-092A-AN00	220/230	50	1.5	330	2700	10	2100/1235	80	-30 / +60	①	CCC ,CE,RoHS
BMF280-092A-AN00	380/400	50	0.7	330	2700	/	2100/1235	80	-30 / +60	①	CCC ,CE,RoHS

# 280-092N Backward Centrifugal Fan

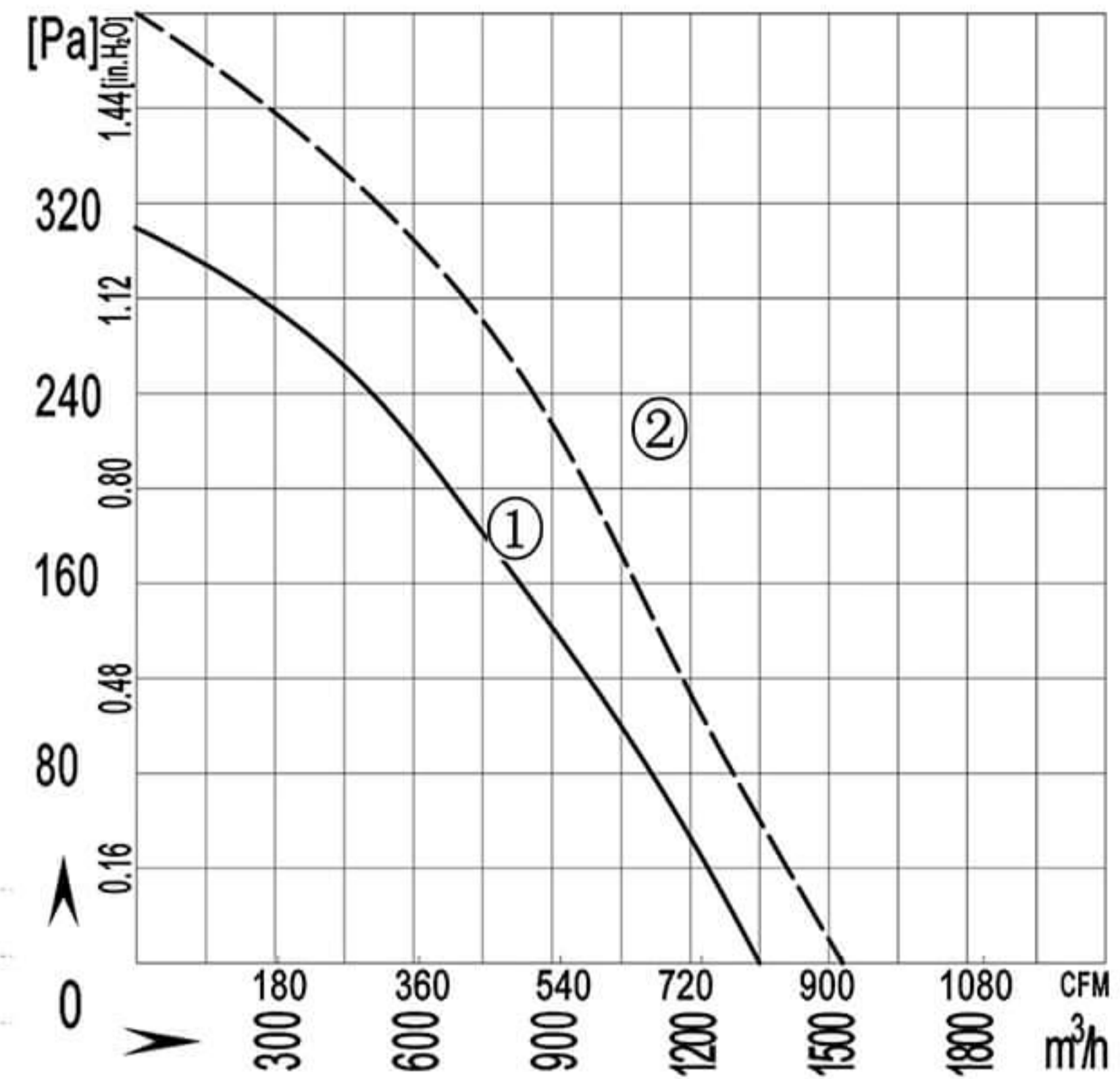


material: Sheet aluminium  
 Protection Class: IP54  
 Approvals: CCC CE  
 Insulation class: F

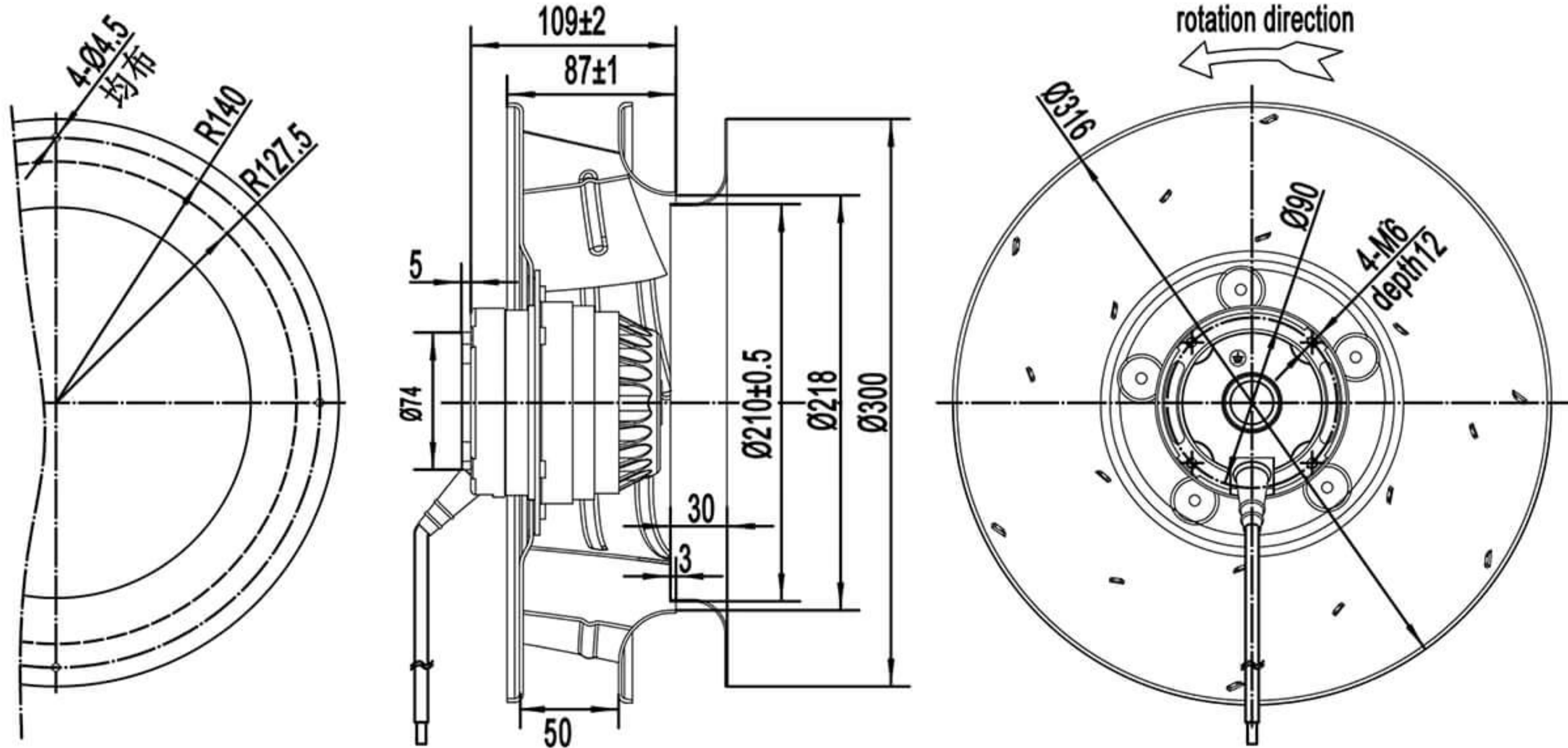


	Voltage V	Frequency Hz	Current A	Input Power W	Speed rpm	Capacitor $\mu$ F	Air Flow m <sup>3</sup> /h / CFM	Noise dB(A)	Temperature Min / Max(°C)	Curve No. #	Approvals
BMF280-092A-AN00	220/230	50	1.5	330	2700	10	2100/1235	80	-30 / +60	①	CCC ,CE,RoHS
BMF280-092A-AN00	380/400	50	0.7	330	2700	/	2100/1235	80	-30 / +60	①	CCC ,CE,RoHS

# 315-087 Backward Centrifugal Fan

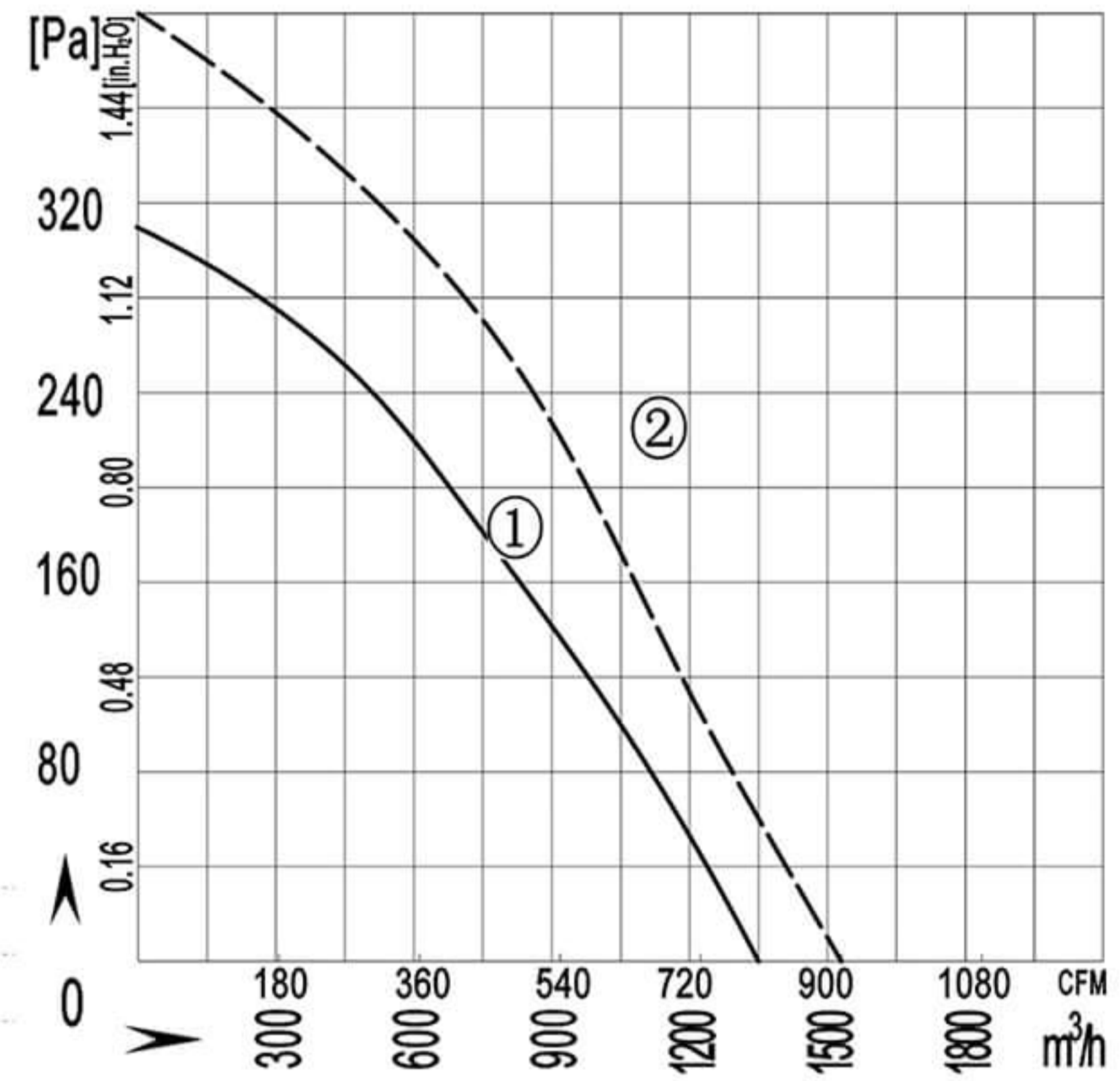


material: Sheet aluminium  
 Protection Class: IP54  
 Approvals: CCC CE  
 Insulation class: F

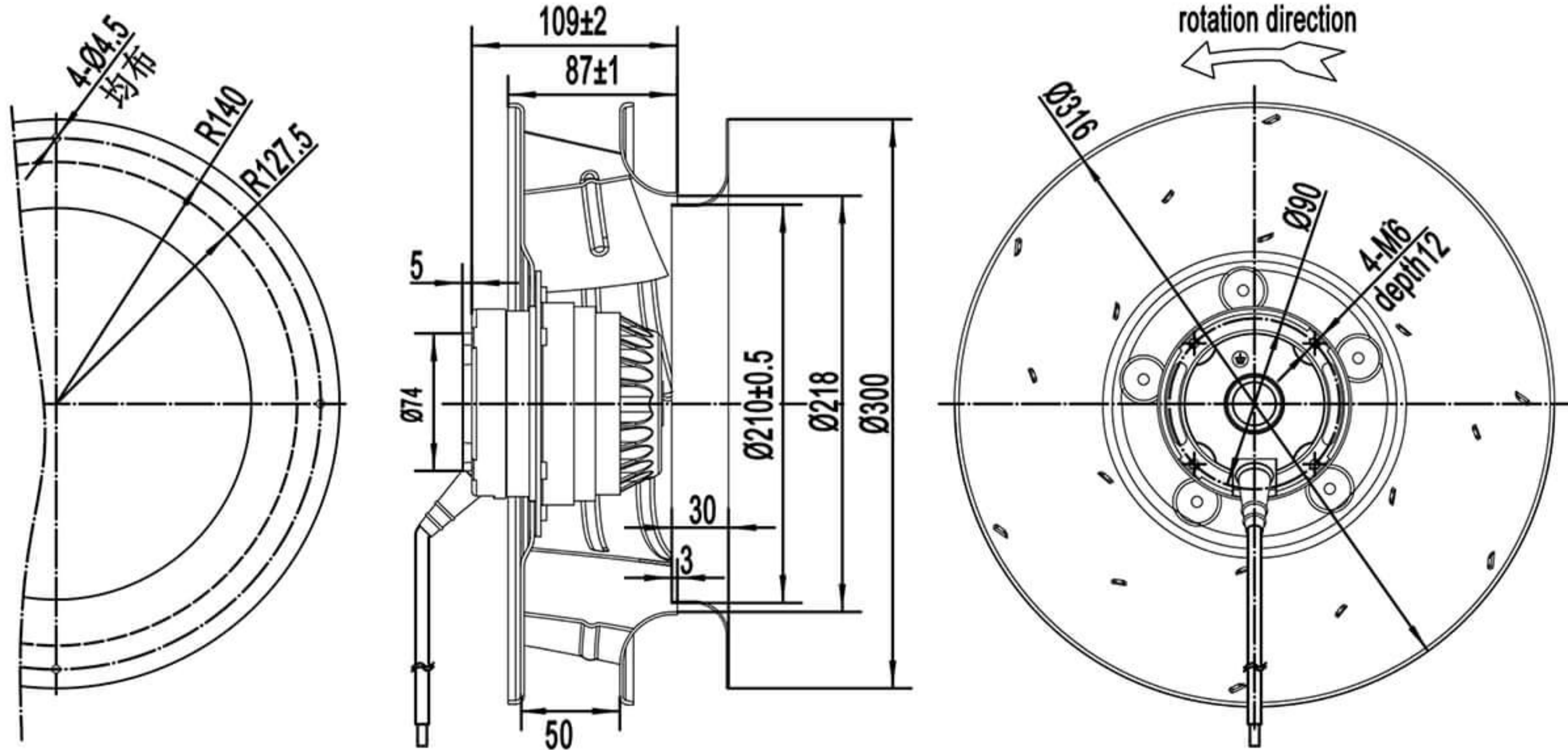


	Voltage V	Frequency Hz	Current A	Input Power W	Speed rpm	Capacitor µF	Air Flow m3/h / CFM	Noise dB(A)	Temperature Min / Max(°C)	Curve No. #	Approvals
BMF315-087A-AL00	220/230	50	0.50	95	1400	3	1350 / 794	56	-30 / +60	①	CCC ,CE,RoHS
	220/230	60	0.60	115	1600	3	1500 / 882	58	-30 / +60	②	

# 315-087 Backward Centrifugal Fan

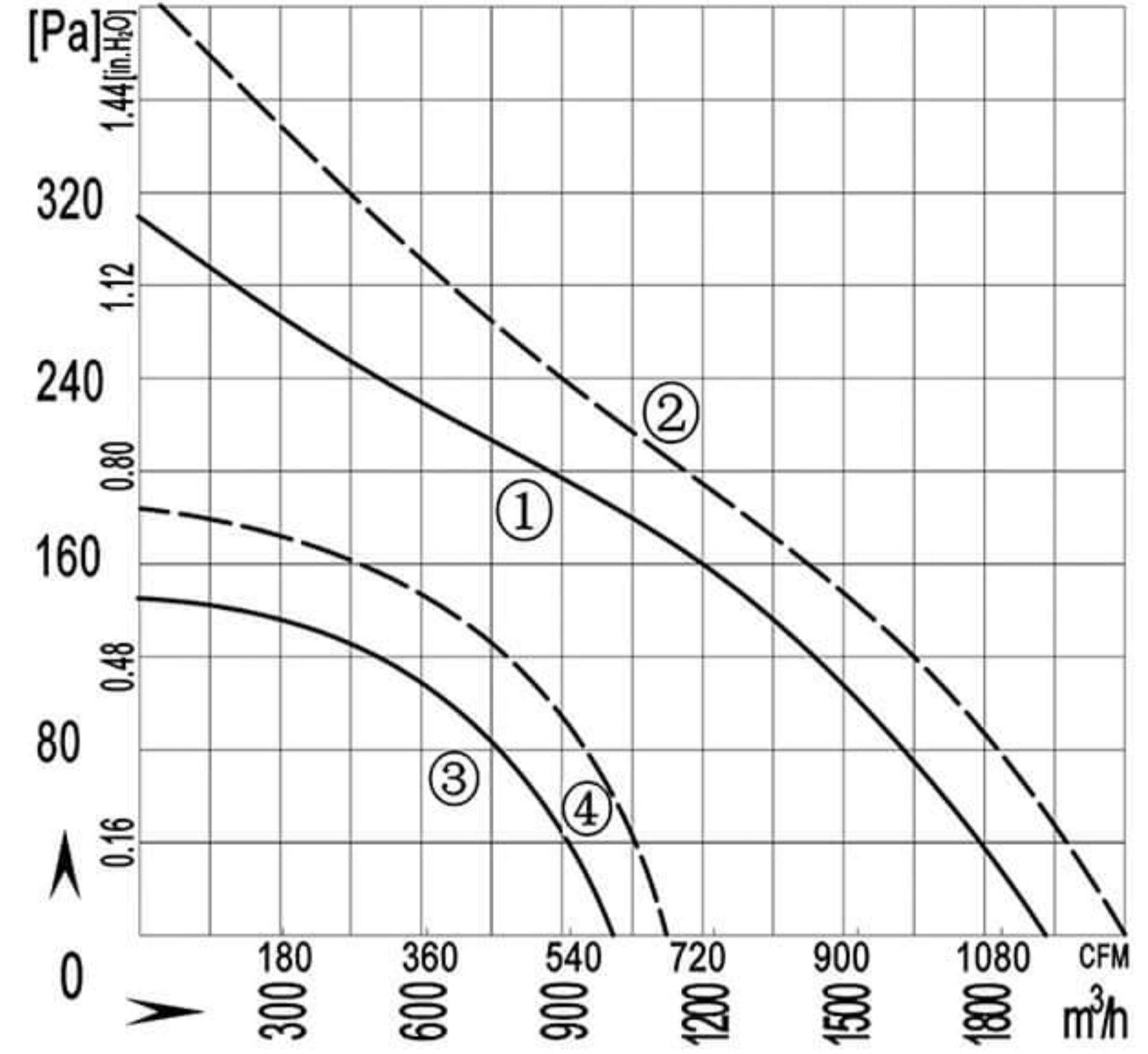


material: Sheet aluminium  
 Protection Class: IP54  
 Approvals: CCC CE  
 Insulation class: F



	Voltage V	Frequency Hz	Current A	Input Power W	Speed rpm	Capacitor µF	Air Flow m3/h / CFM	Noise dB(A)	Temperature Min / Max(°C)	Curve No. #	Approvals
BMF315-087A-AL00	220/230	50	0.50	95	1400	3	1350 / 794	56	-30 / +60	①	CCC ,CE,RoHS
	220/230	60	0.60	115	1600	3	1500 / 882	58	-30 / +60	②	

# 315-135 Backward Centrifugal Fan

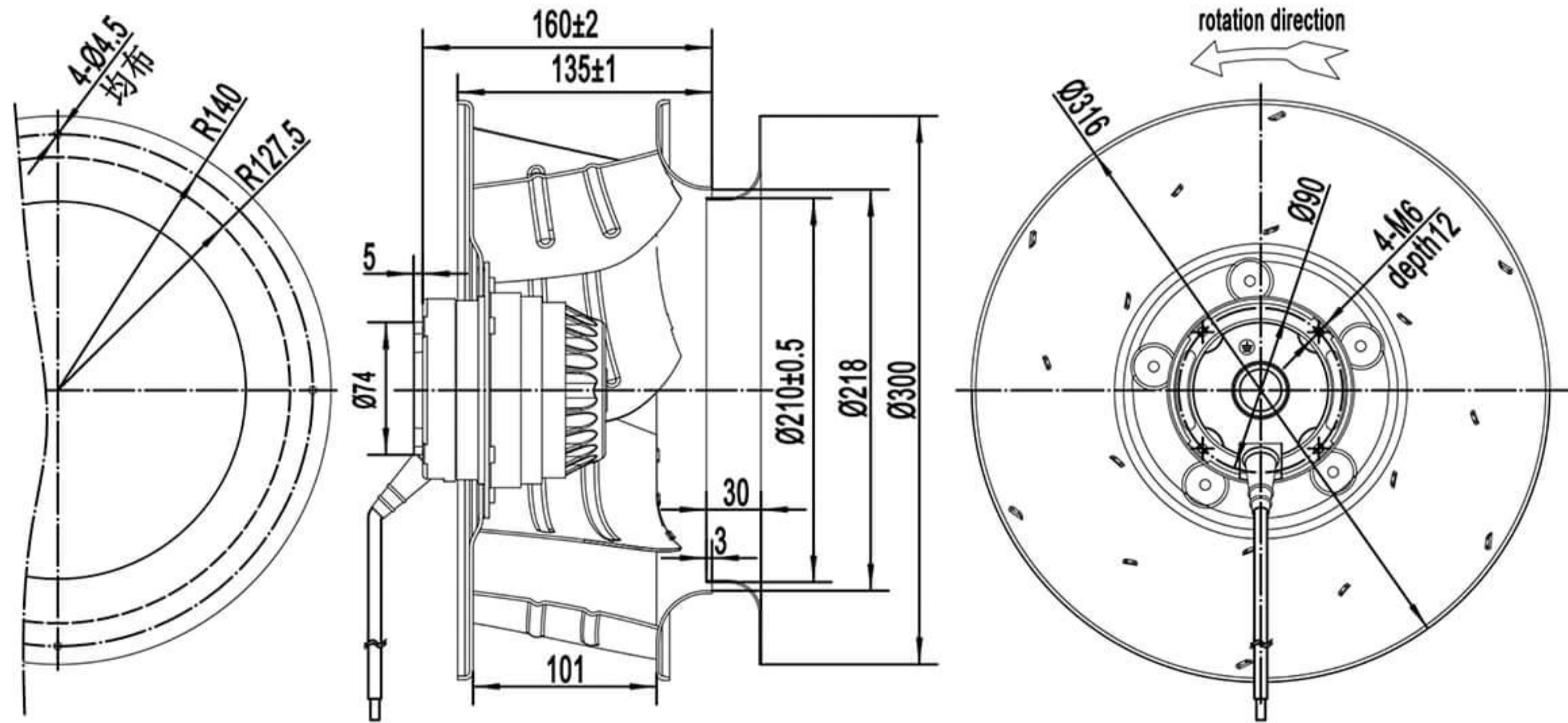


material: Sheet aluminium

Protection Class: IP54

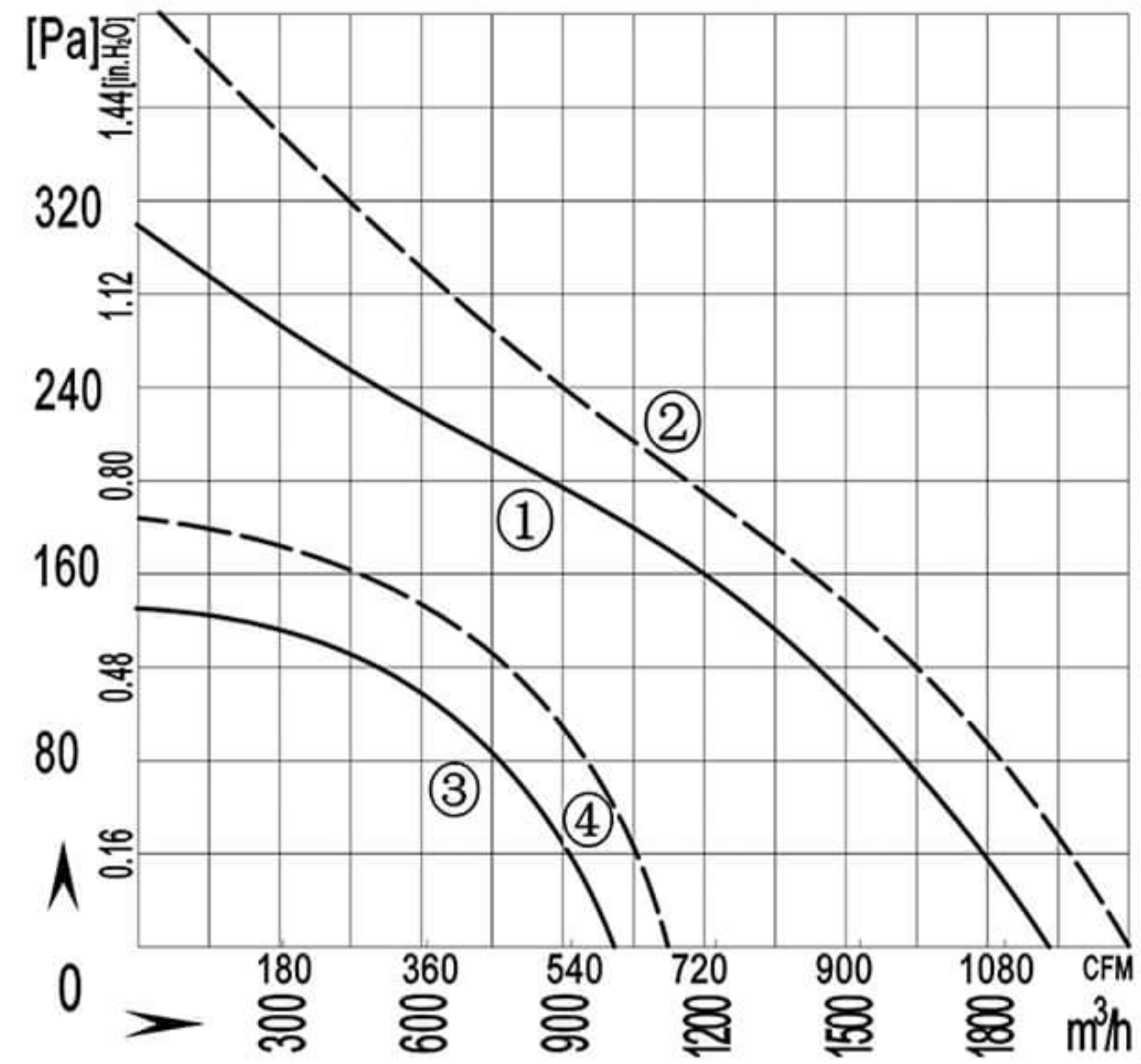
Approvals: CCC CE

Insulation class: F



	Voltage V	Frequency Hz	Current A	Input Power W	Speed rpm	Capacitor µF	Air Flow m <sup>3</sup> /h / CFM	Noise dB(A)	Temperature Min / Max(°C)	Curve No. #	Approvals
BMF315-135A-AL00	220/230	50	0.60	135	1400	3	1900 / 1117	63	-30 / +60	①	CCC ,CE,RoHS
	220/230	60	0.80	180	1580	3	2000 / 1175	65	-30 / +60	②	
BMF315-135A-AL00	220/230	50	0.38	75	940	3	1000 / 588	58	-30 / +60	③	CCC ,CE,RoHS
	220/230	60	0.42	85	1050	3	1100 / 647	60	-30 / +60	④	
BMF315-135A-AL00	380/400	50	0.35	136	1400	/	1900 / 1117	63	-30 / +60	①	CCC ,CE,RoHS
	380/400	60	0.40	175	1580	/	2000 / 1175	65	-30 / +60	②	

# 315-135 Backward Centrifugal Fan

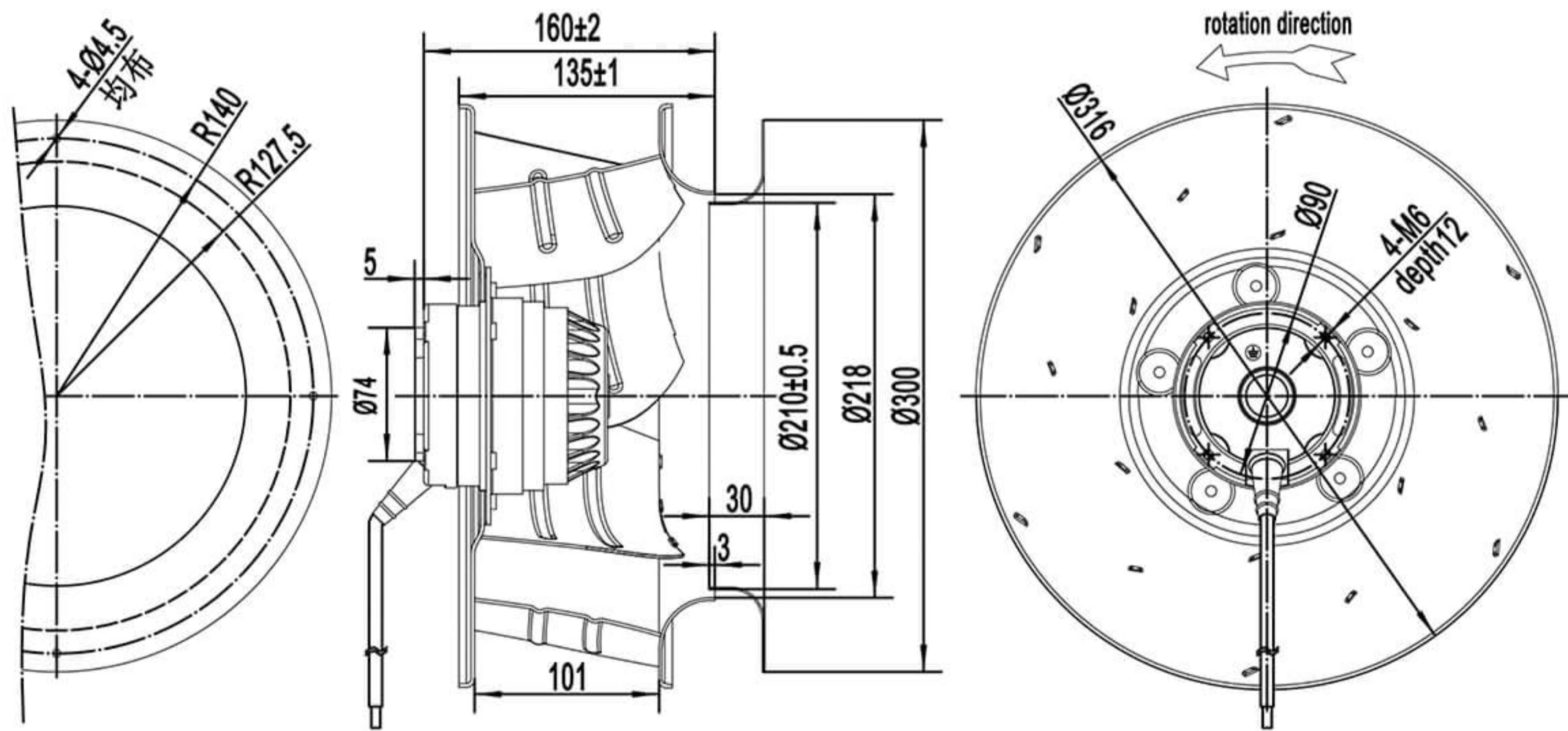


material: Sheet aluminium

Protection Class: IP54

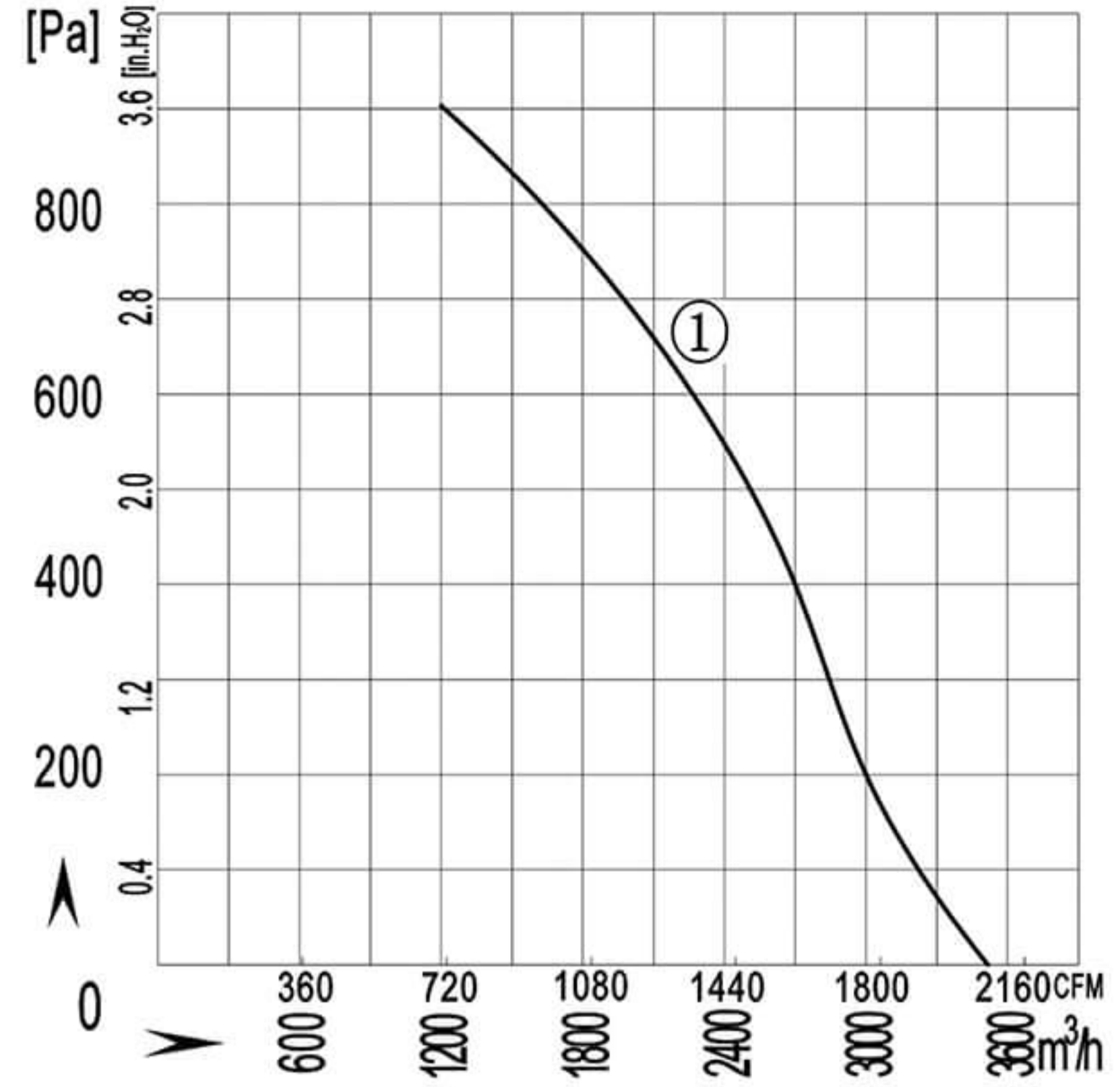
Approvals: CCC CE

Insulation class: F



	Voltage V	Frequency Hz	Current A	Input Power W	Speed rpm	Capacitor µF	Air Flow m3/h / CFM	Noise dB(A)	Temperature Min / Max(°C)	Curve No. #	Approvals
BMF315-135A-AL00	220/230	50	0.60	135	1400	3	1900 / 1117	63	-30 / +60	①	CCC ,CE,RoHS
	220/230	60	0.80	180	1580	3	2000 / 1175	65	-30 / +60	②	
BMF315-135A-AL00	220/230	50	0.38	75	940	3	1000 / 588	58	-30 / +60	③	CCC ,CE,RoHS
	220/230	60	0.42	85	1050	3	1100 / 647	60	-30 / +60	④	
BMF315-135A-AL00	380/400	50	0.35	136	1400	/	1900 / 1117	63	-30 / +60	①	CCC ,CE,RoHS
	380/400	60	0.40	175	1580	/	2000 / 1175	65	-30 / +60	②	

# 315-118 Backward Centrifugal Fan

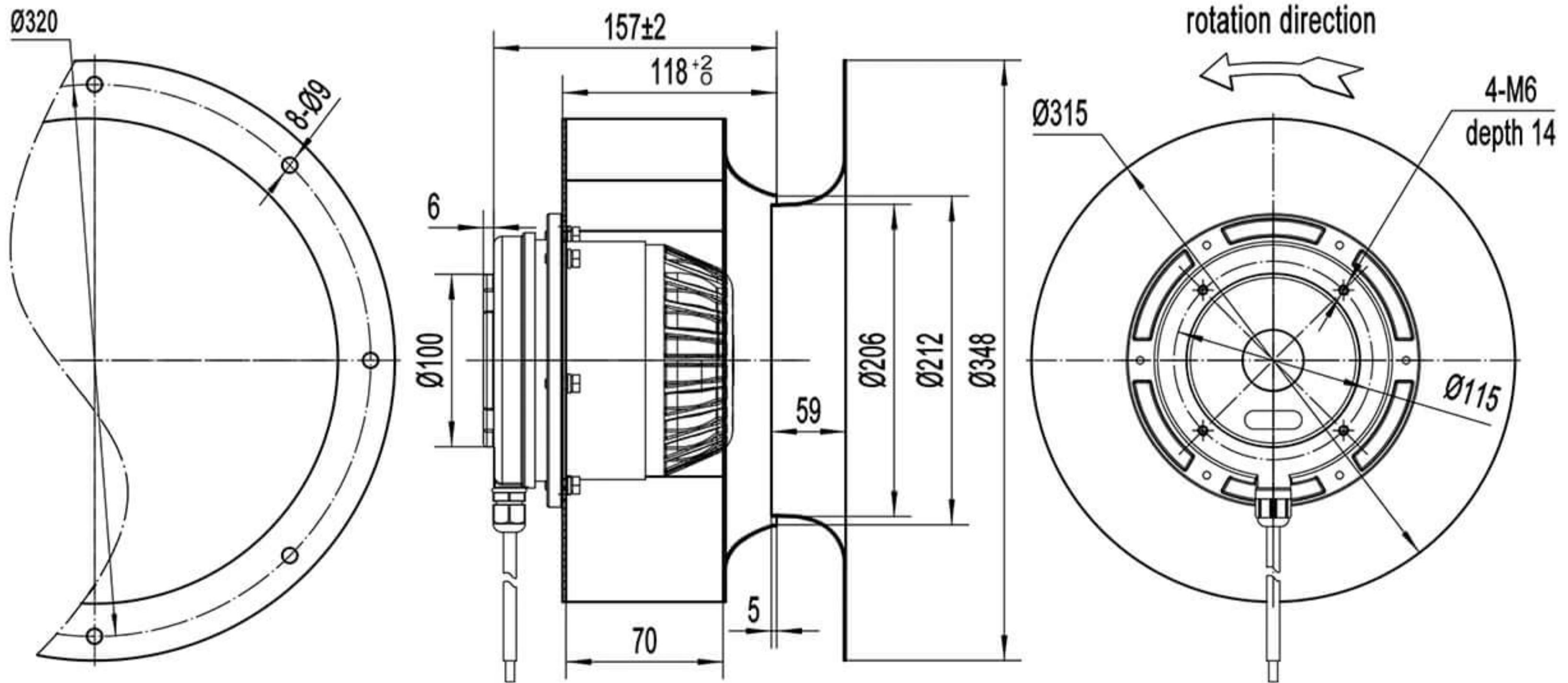


material: Sheet aluminium

Protection Class: IP54

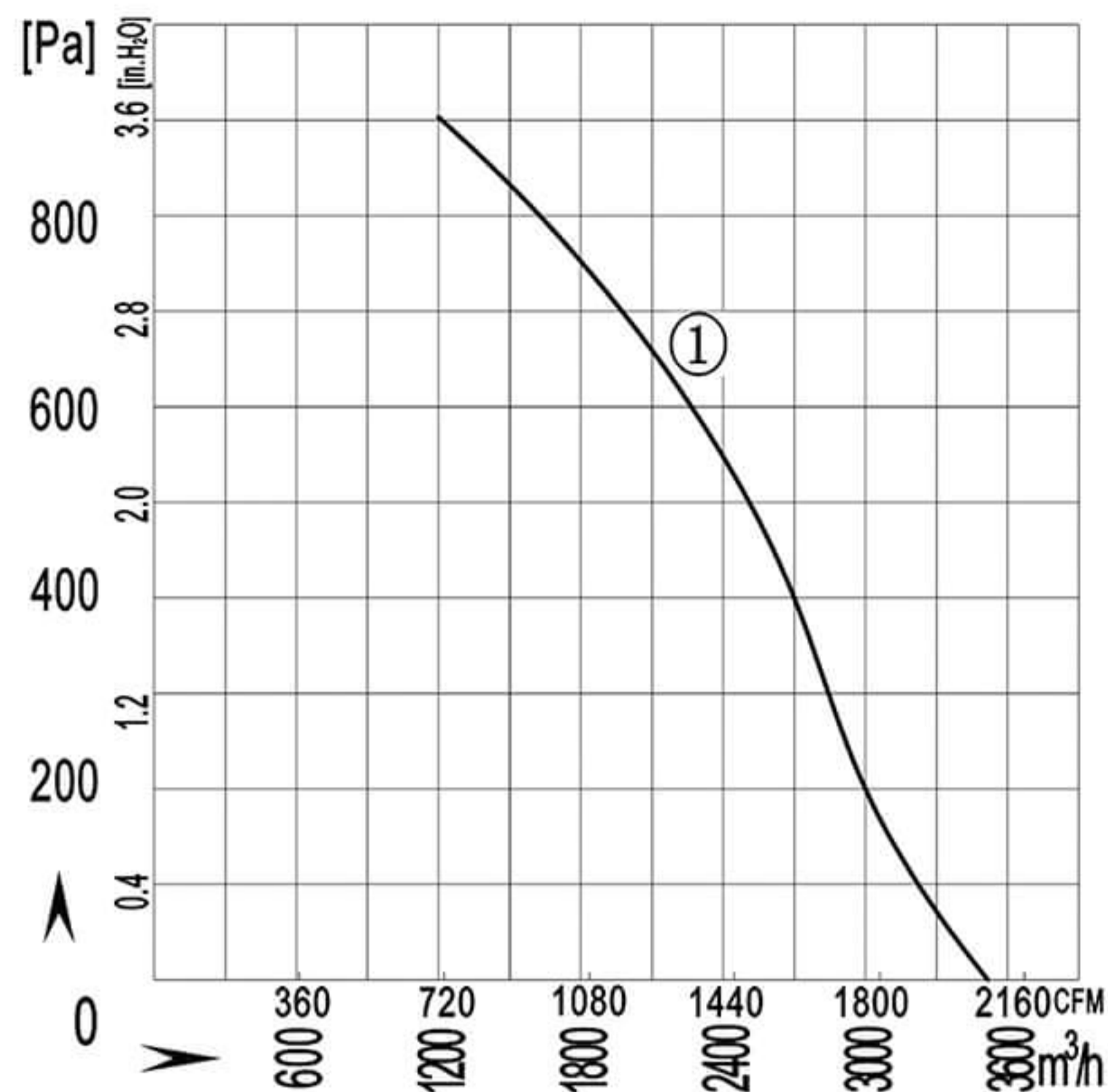
Approvals: CCC CE

Insulation class: F



	Voltage V	Frequency Hz	Current A	Input Power W	Speed rpm	Capacitor µF	Air Flow m³/h / CFM	Noise dB(A)	Temperature Min / Max(°C)	Curve No. #	Approvals
BMF315-118A-AT00	380/400	50	1.5	800	2750	/	3300/1941	84	-30 / +60	①	CCC ,CE,RoHS

# 315-118 Backward Centrifugal Fan

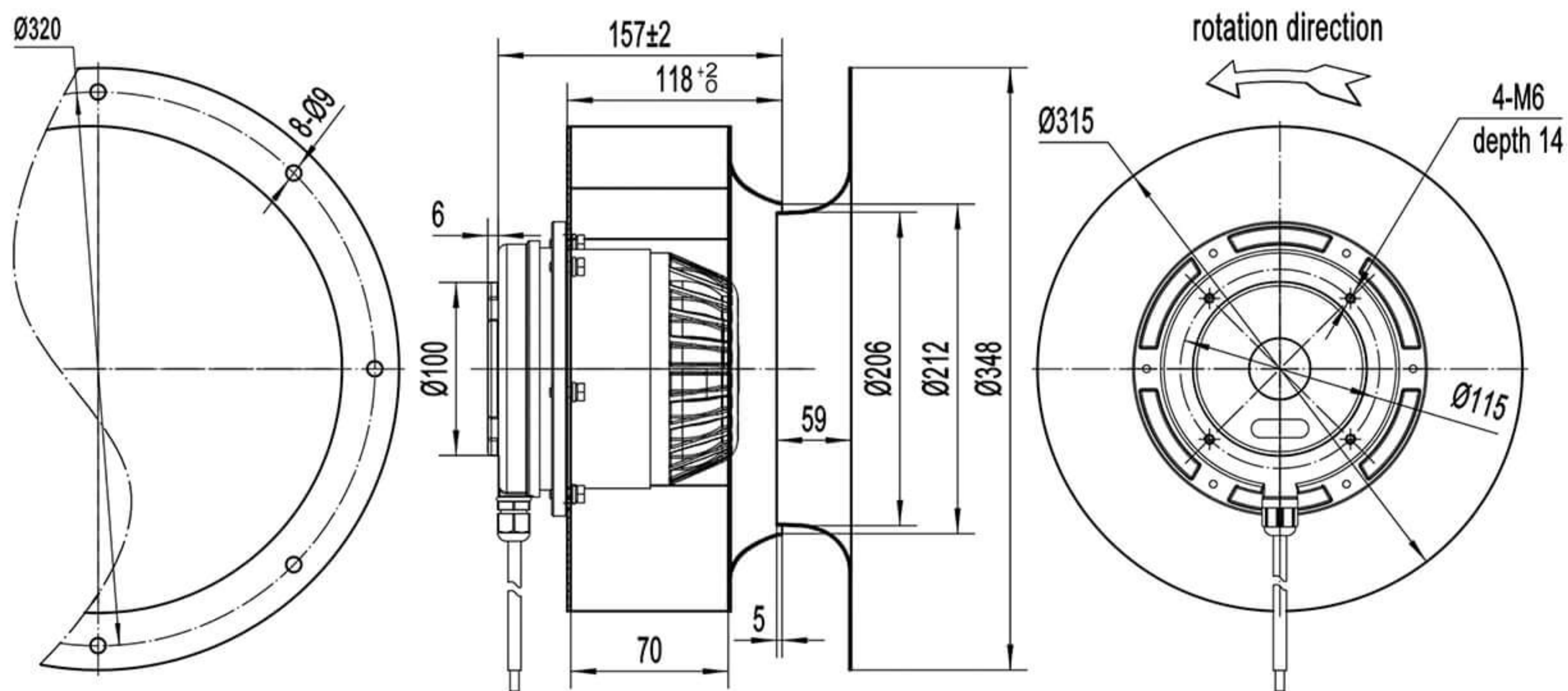


material: Sheet aluminium

Protection Class: IP54

Approvals: CCC CE

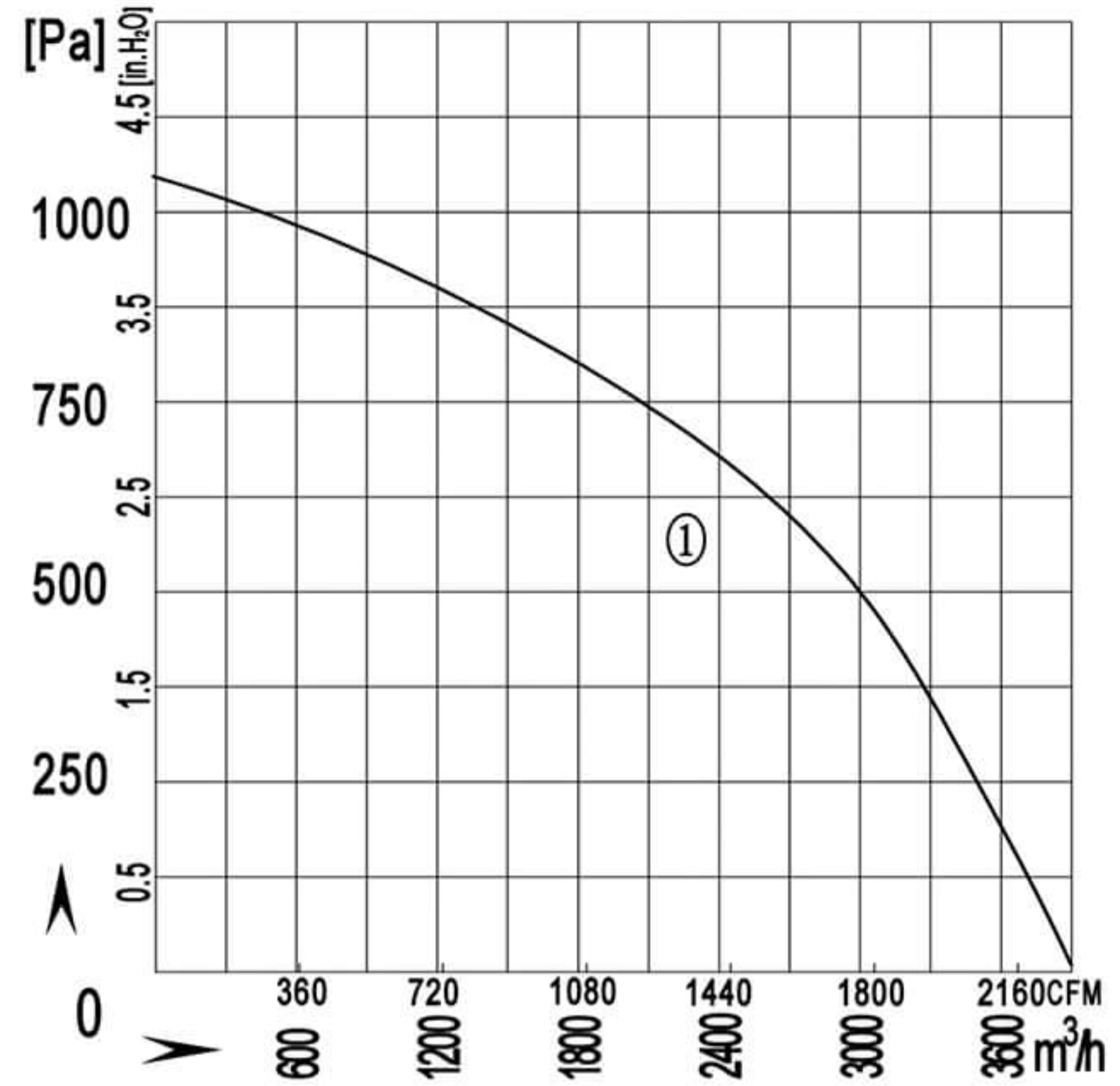
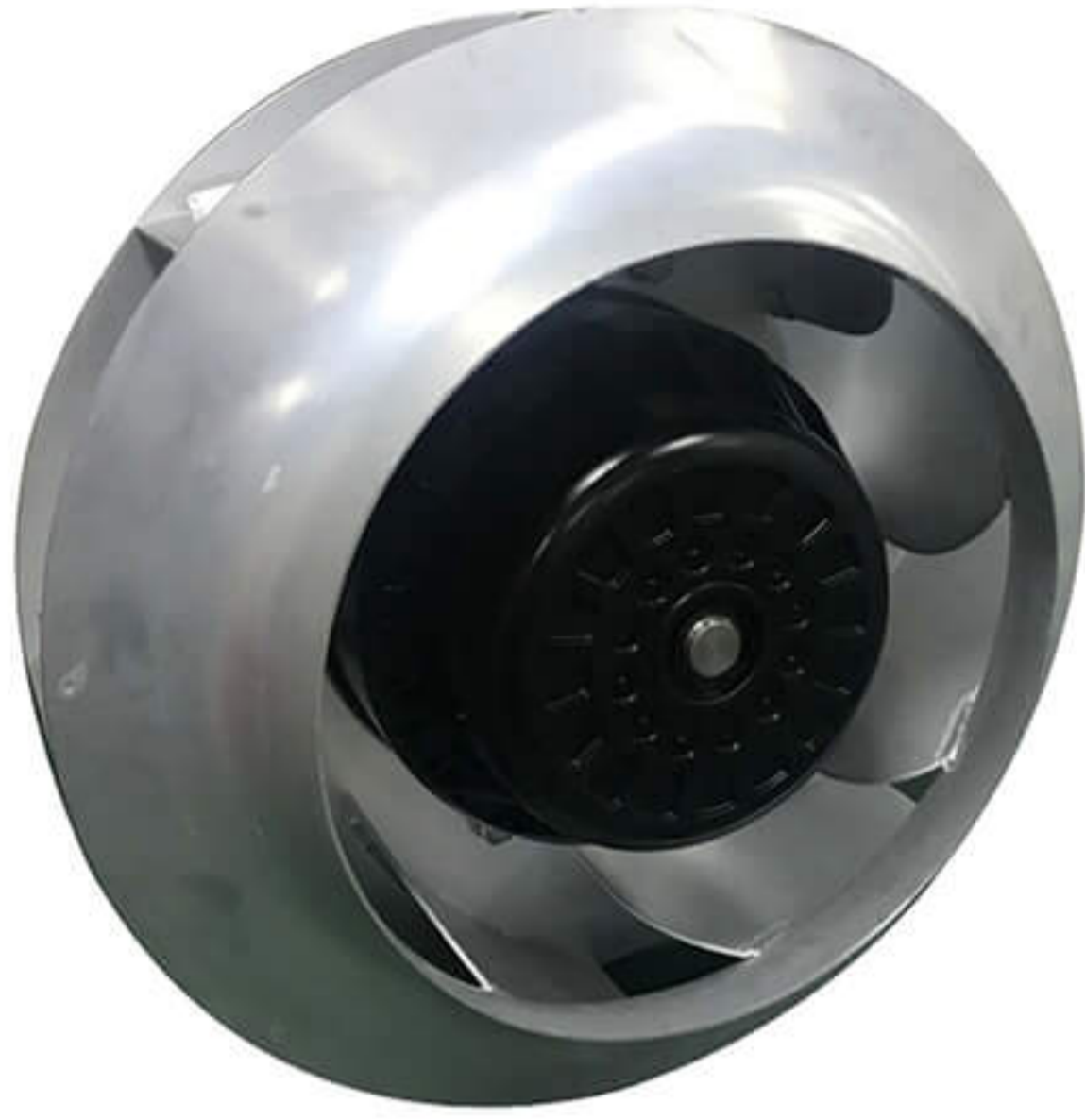
Insulation class: F



	Voltage V	Frequency Hz	Current A	Input Power W	Speed rpm	Capacitor µF	Air Flow m³/h / CFM	Noise dB(A)	Temperature Min / Max(°C)	Curve No. #	Approvals
BMF315-118A-AT00	380/400	50	1.5	800	2750	/	3300/1941	84	-30 / +60	①	CCC ,CE,RoHS



# 315-146-V Backward Centrifugal Fan

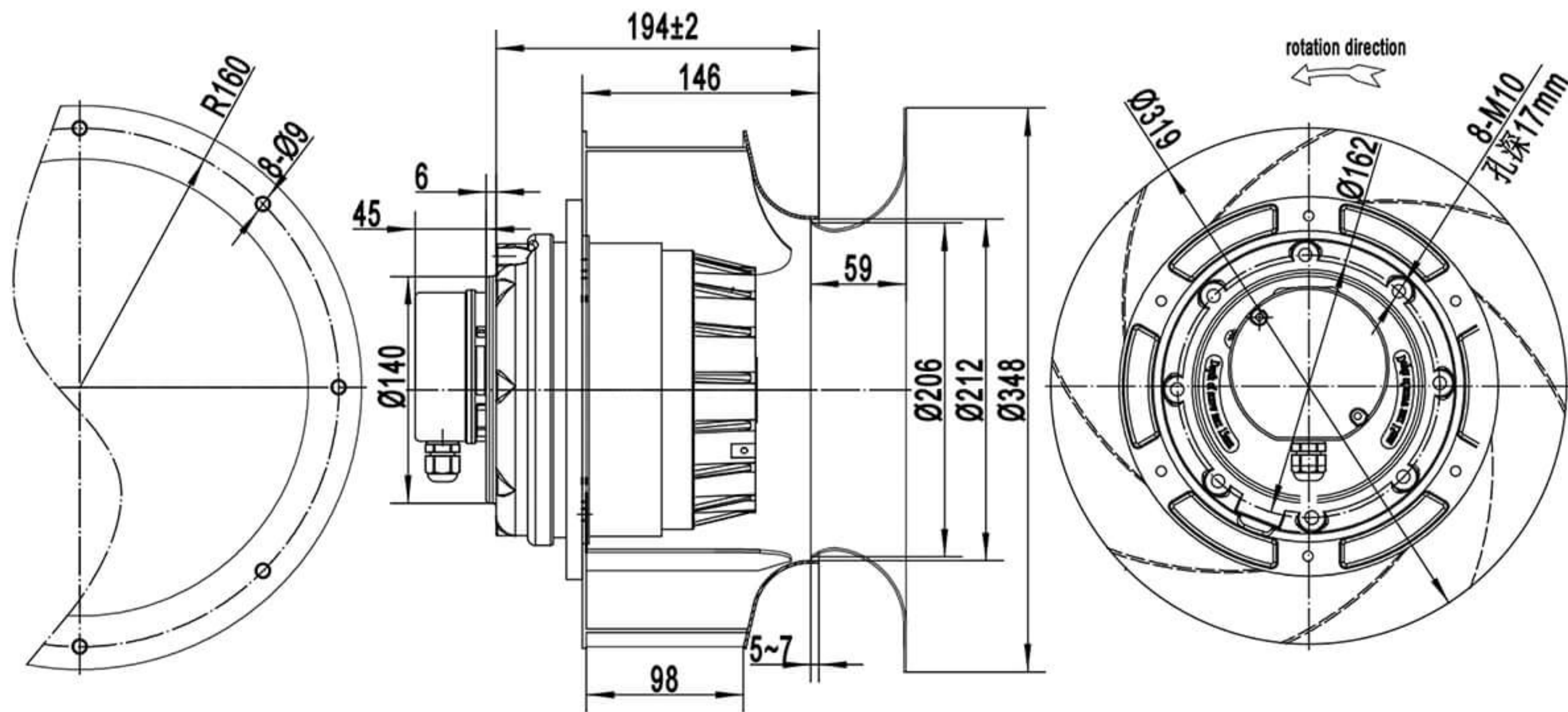


material: Sheet aluminium

Protection Class: IP54

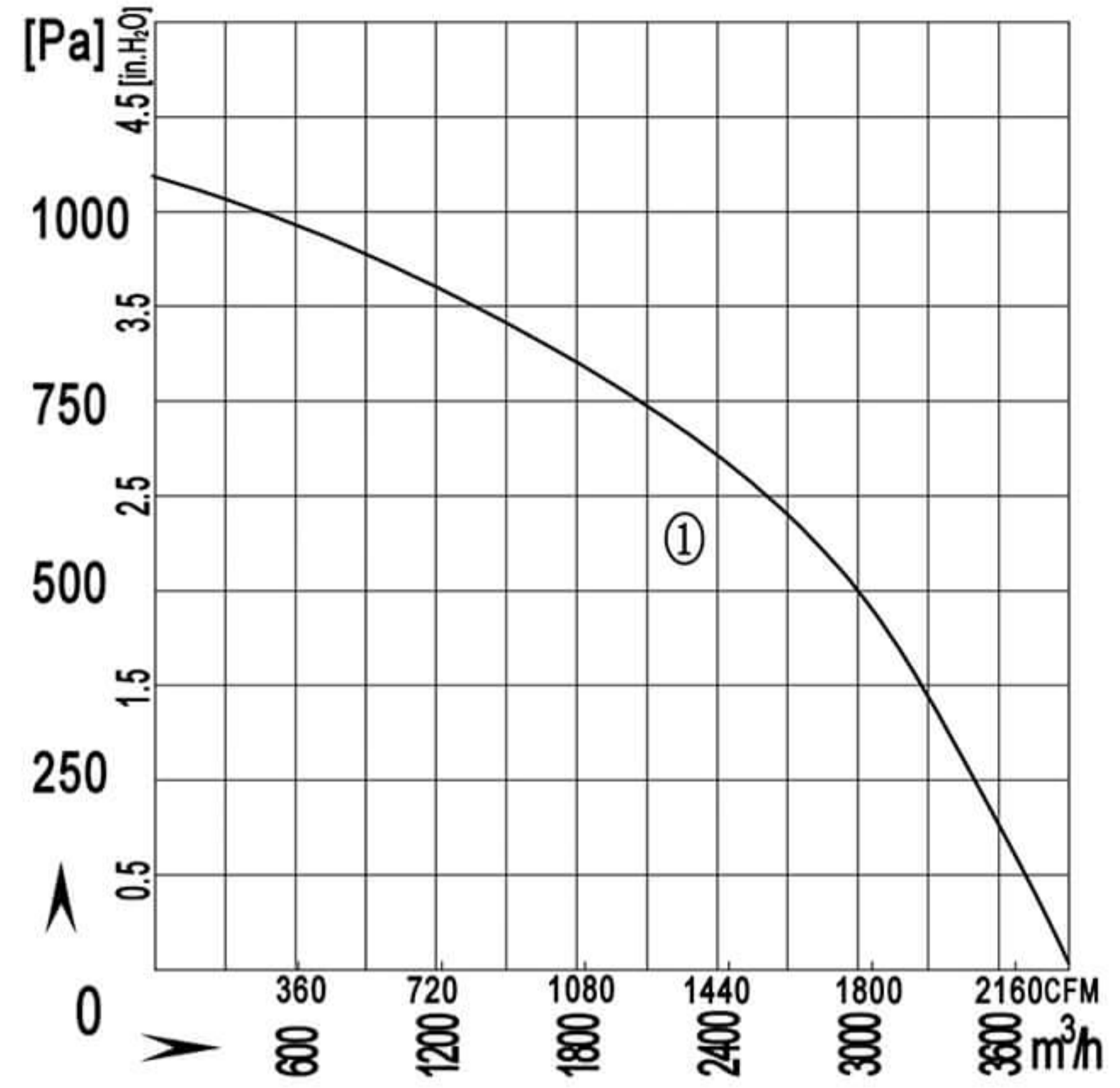
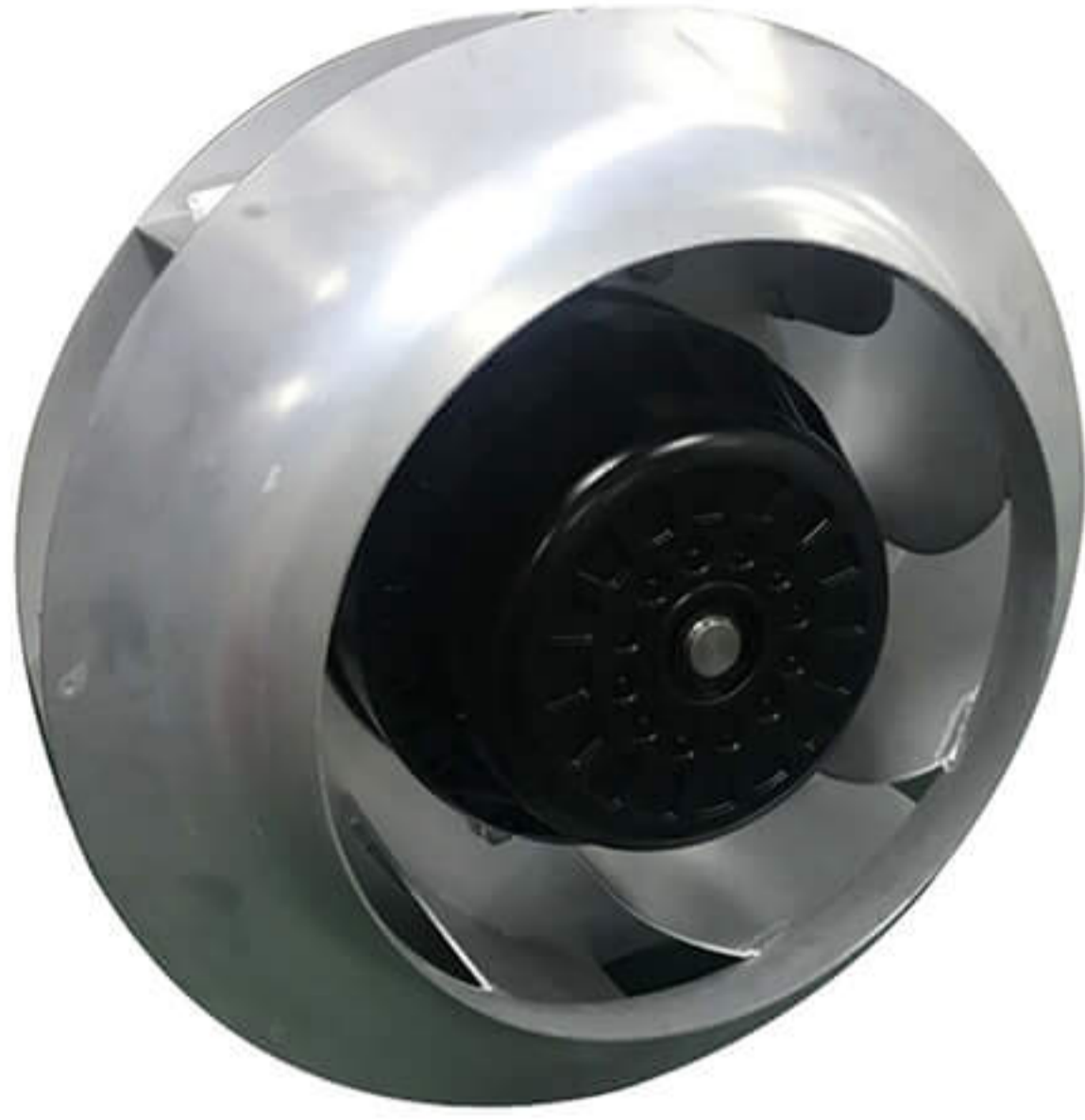
Approvals: CCC CE

Insulation class: F



	Voltage V	Frequency Hz	Current A	Input Power W	Speed rpm	Capacitor µF	Air Flow m3/h / CFM	Noise dB(A)	Temperature Min / Max(°C)	Curve No. #	Approvals
BMF 315-146A-AVM0	380/400	50	2.0	1300	2650	/	4000/2353	85	-30 / +60	①	CCC ,CE,RoHS

# 315-146-V Backward Centrifugal Fan

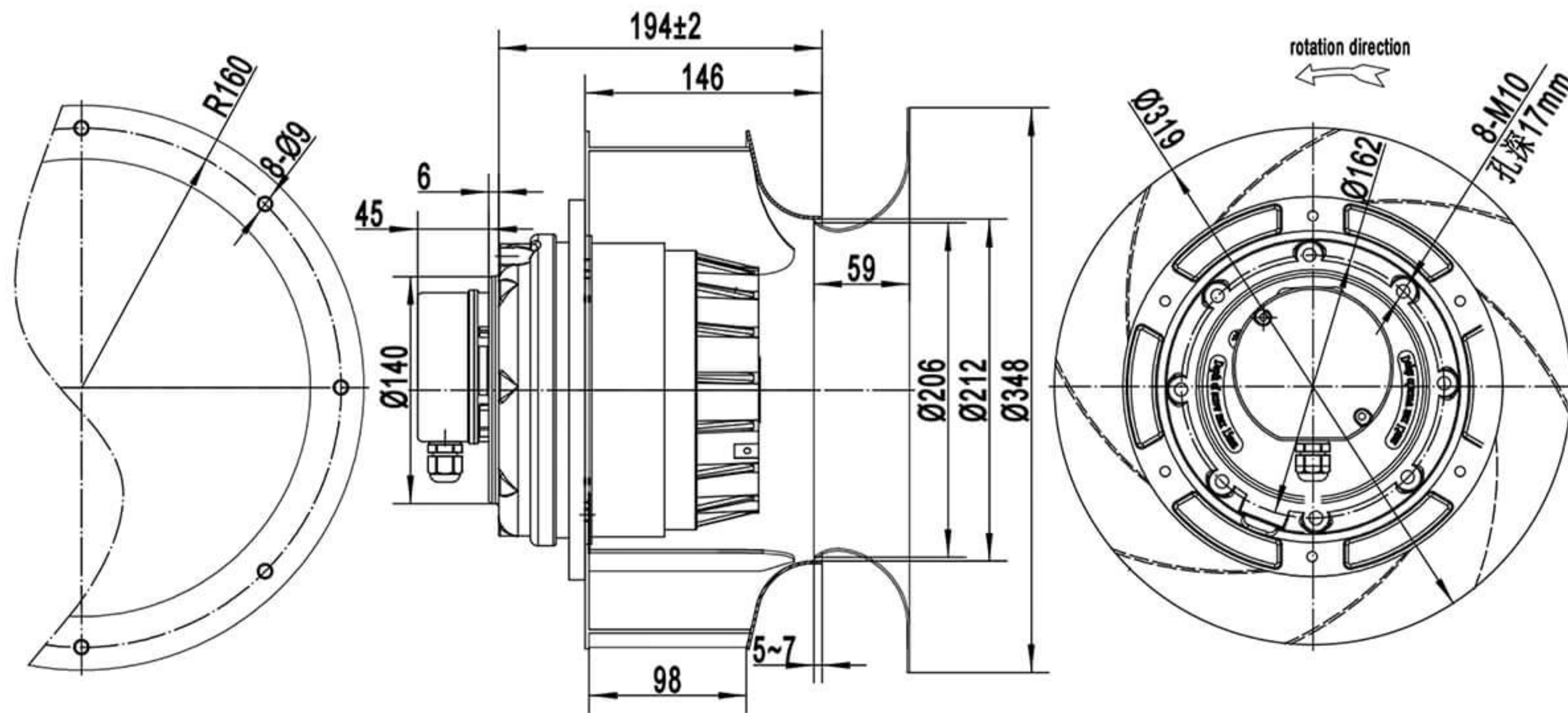


material: Sheet aluminium

Protection Class: IP54

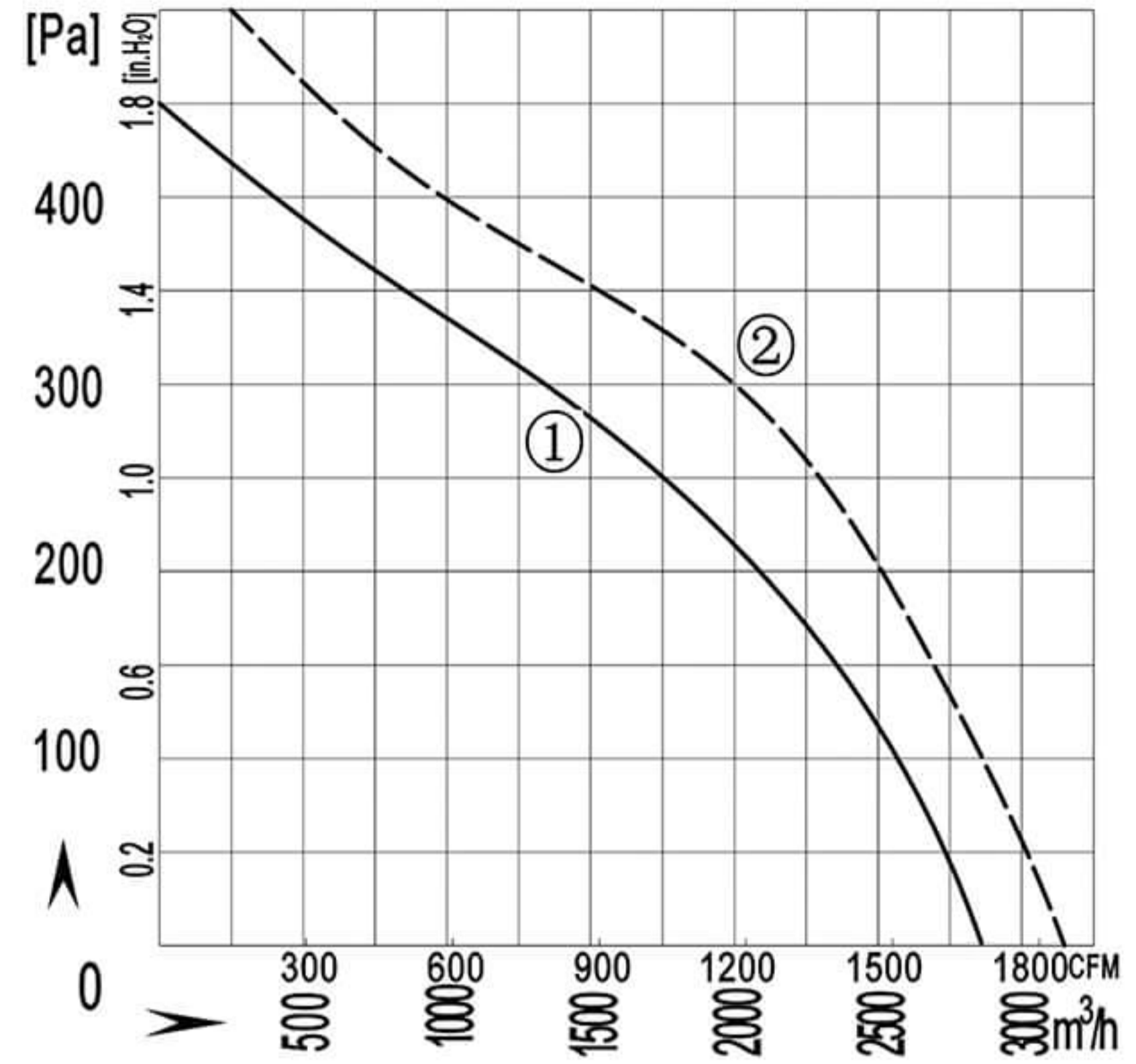
Approvals: CCC CE

Insulation class: F

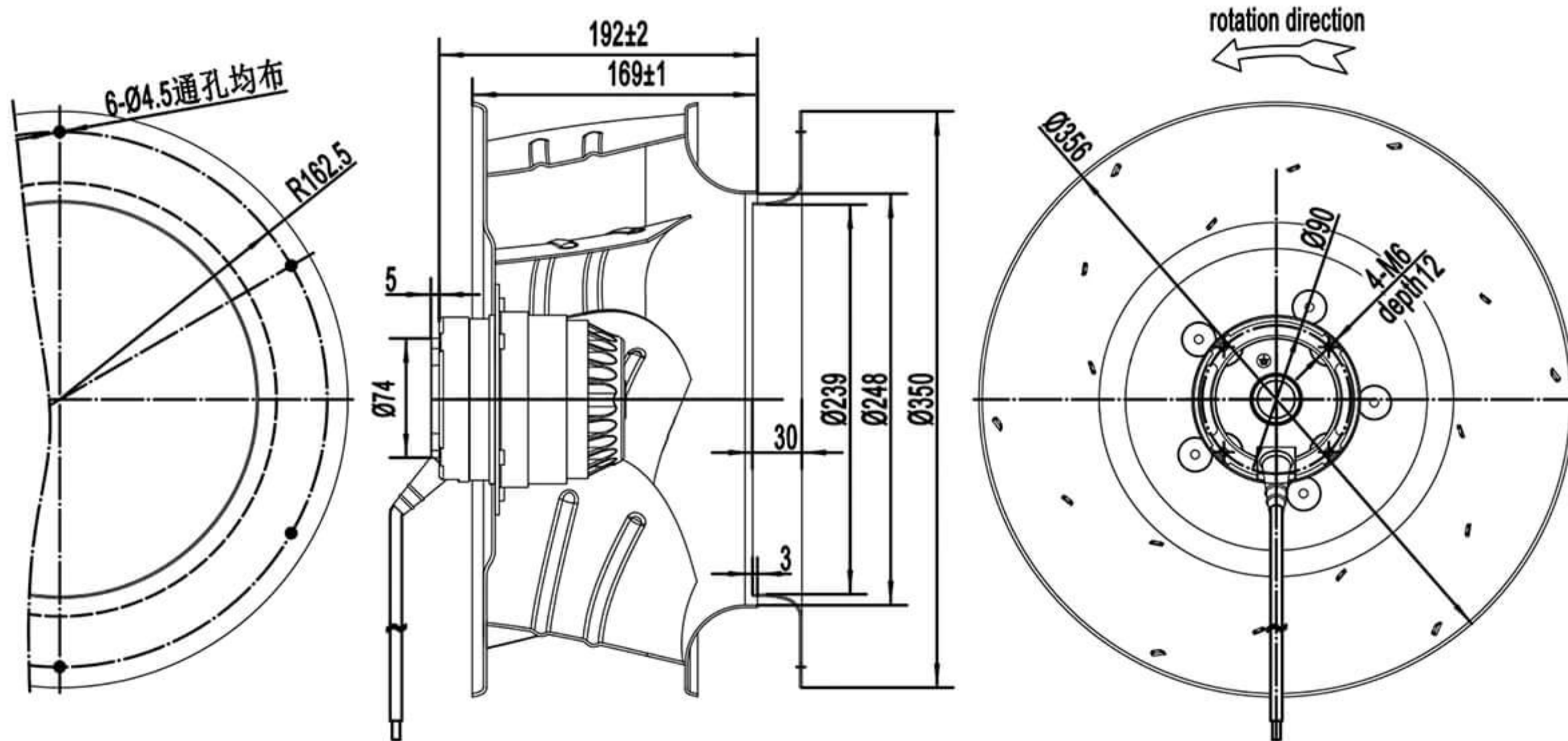


	Voltage V	Frequency Hz	Current A	Input Power W	Speed rpm	Capacitor µF	Air Flow m <sup>3</sup> /h / CFM	Noise dB(A)	Temperature Min / Max(°C)	Curve No. #	Approvals
BMF315-146A-AVM0	380/400	50	2.0	1300	2650	/	4000/2353	85	-30 / +60	①	CCC ,CE,RoHS

# 355-169 Backward Centrifugal Fan

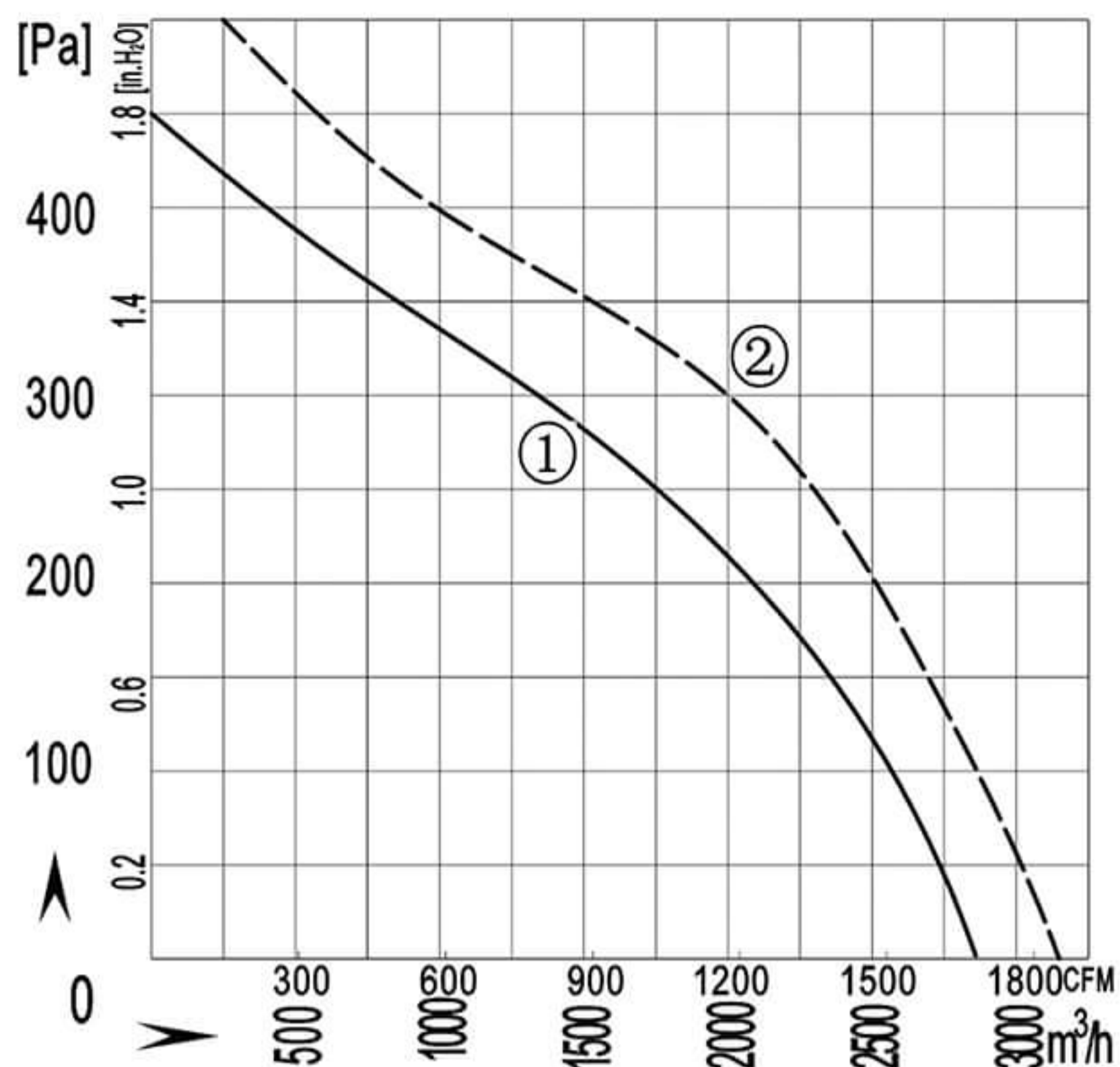


material: Sheet aluminium  
 Protection Class: IP54  
 Approvals: CCC CE  
 Insulation class: F



Type	Voltage V	Frequency Hz	Current A	Input Power W	Speed rpm	Capacitor $\mu$ F	Air Flow m³/h / CFM	Noise dB(A)	Temperature Min / Max(°C)	Curve No. #	Approvals
BMF355-169A-AN00	220/230	50	1.00	210	1350	7	2800/1647	65	-30 / +60	①	CCC ,CE,RoHS
	220/230	60	1.35	280	1550	6	3100/1823	67	-30 / +60	②	
BMF355-169A-AN00	380/400	50	0.53	200	1380	/	2800/1647	65	-30 / +60	①	CCC ,CE,RoHS
	380/400	60	0.55	270	1600	/	3100/1823	67	-30 / +60	②	

# 355-169 Backward Centrifugal Fan

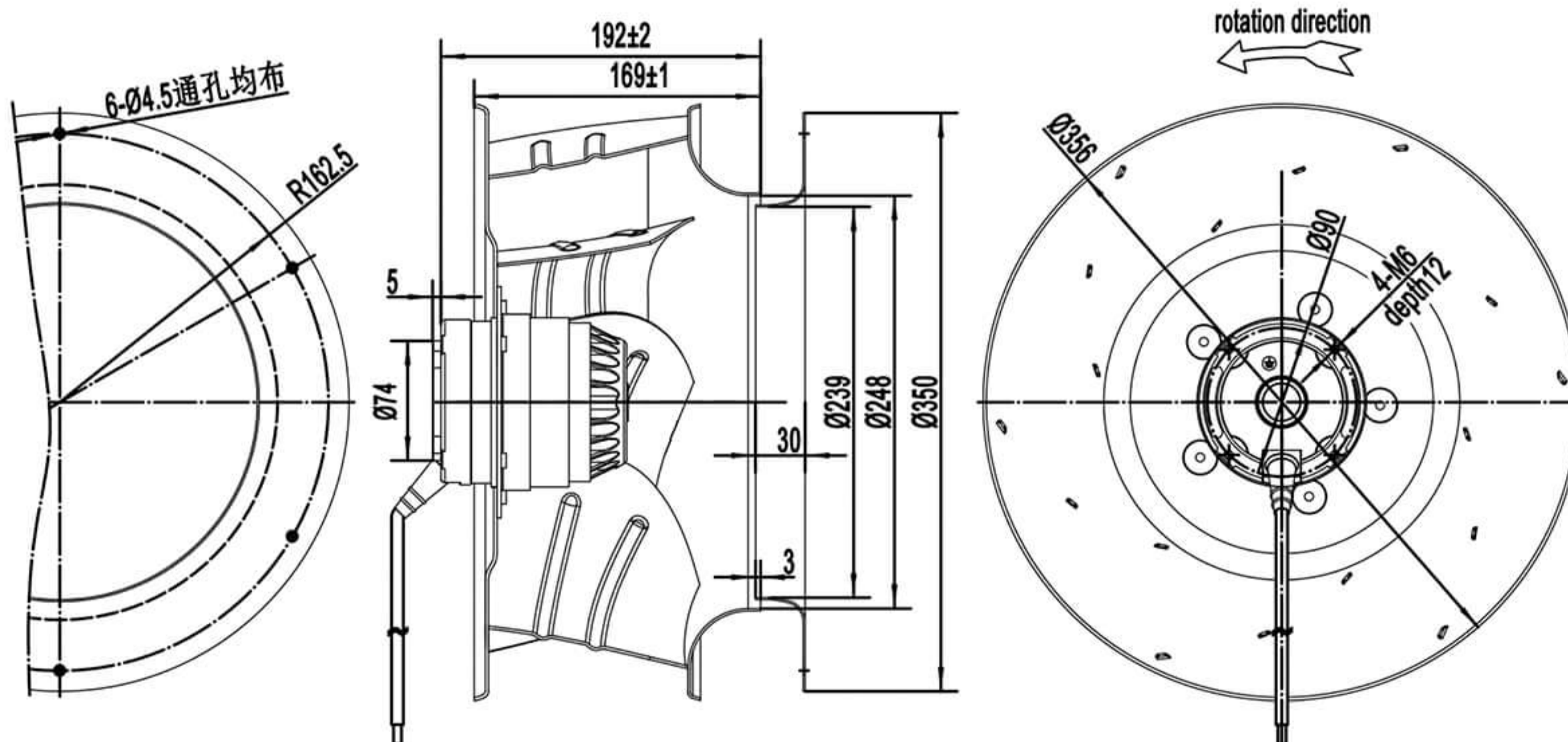


material: Sheet aluminium

Protection Class: IP54

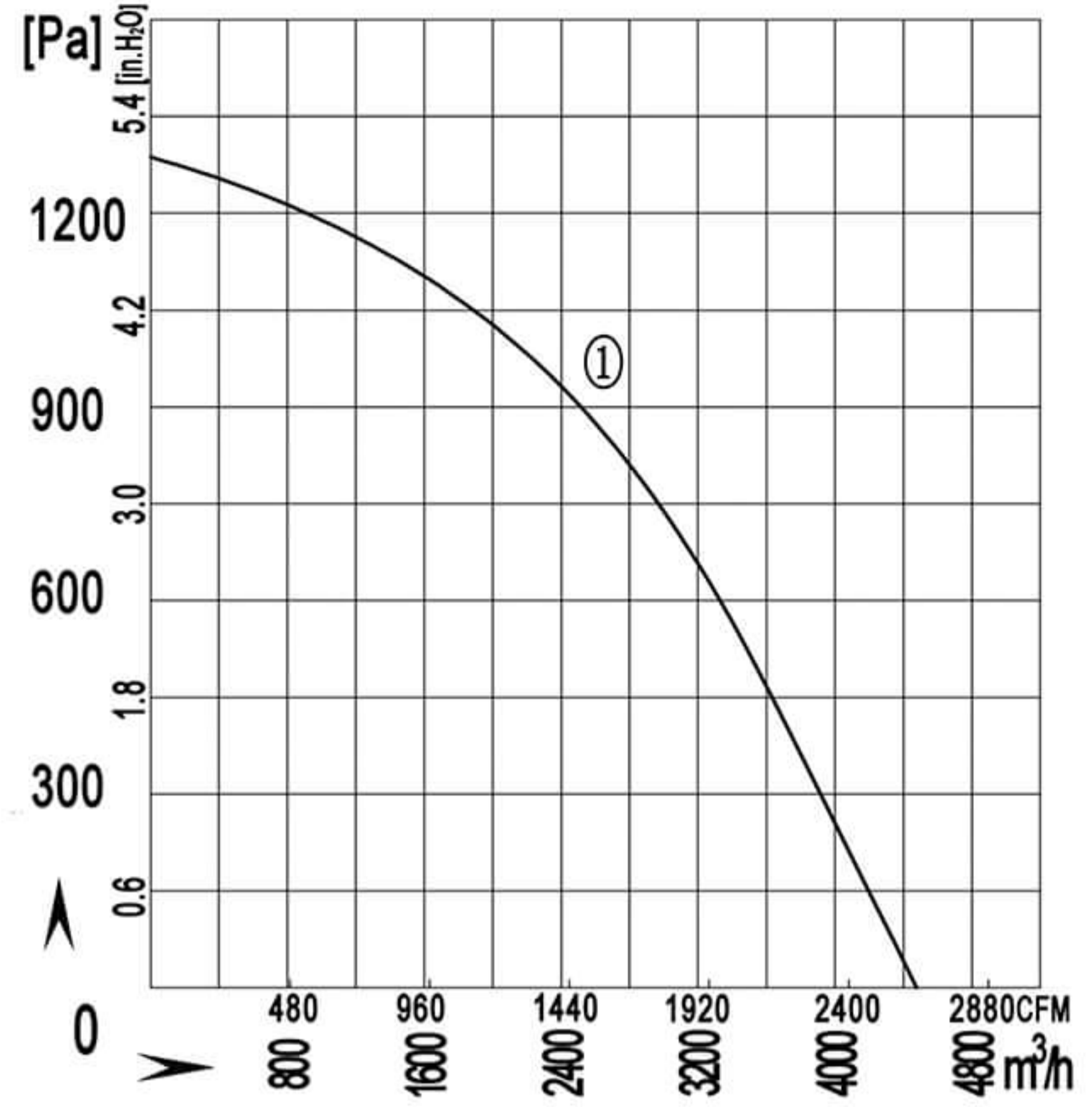
Approvals: CCC CE

Insulation class: F



Type	Voltage V	Frequency Hz	Current A	Input Power W	Speed rpm	Capacitor µF	Air Flow m³/h / CFM	Noise dB(A)	Temperature Min / Max(°C)	Curve No. #	Approvals
BMF355-169A-AN00	220/230	50	1.00	210	1350	7	2800/1647	65	-30 / +60	①	CCC ,CE,RoHS
	220/230	60	1.35	280	1550	6	3100/1823	67	-30 / +60	②	
BMF355-169A-AN00	380/400	50	0.53	200	1380	/	2800/1647	65	-30 / +60	①	CCC ,CE,RoHS
	380/400	60	0.55	270	1600	/	3100/1823	67	-30 / +60	②	

# 355-132-V Backward Centrifugal Fan

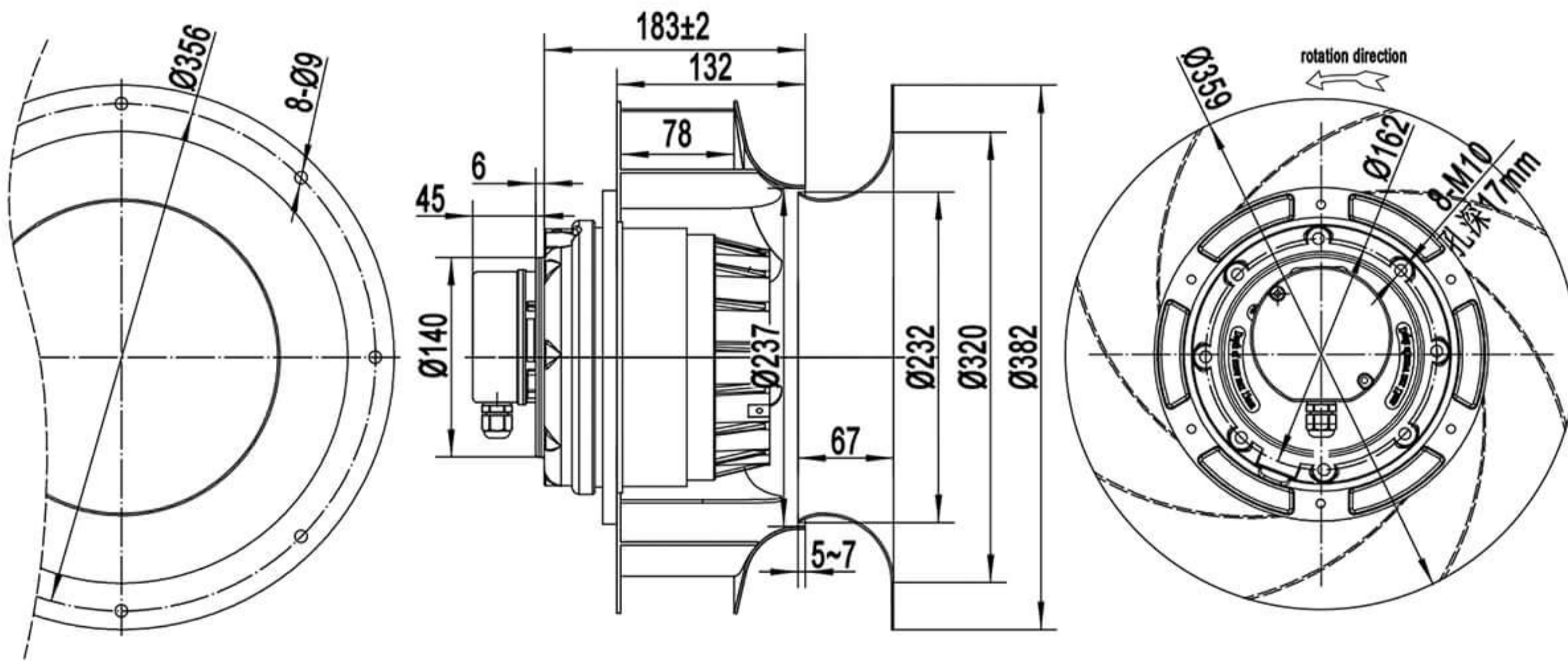


material: Sheet aluminium

Protection Class: IP54

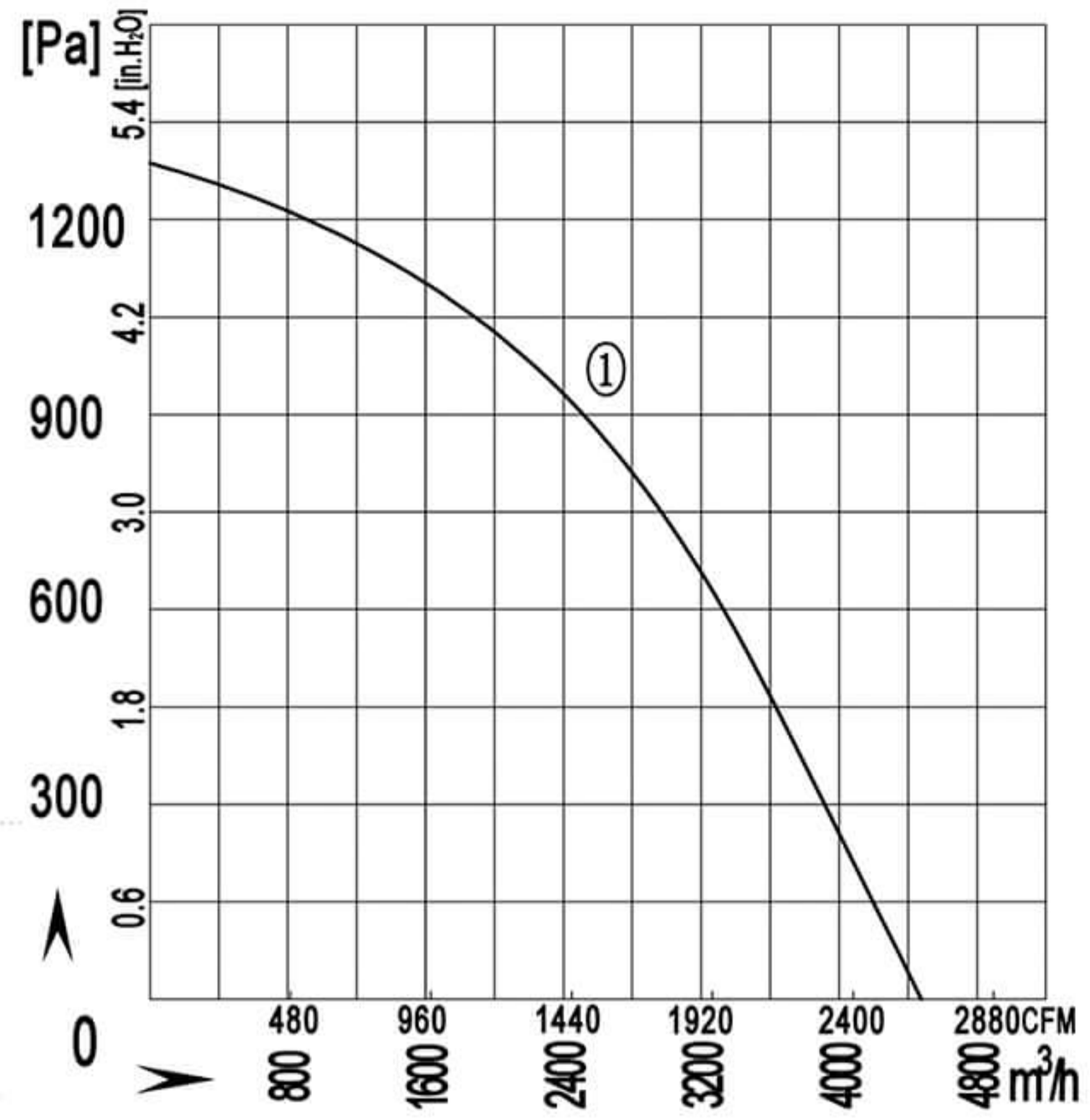
Approvals: CCC CE

Insulation class: F

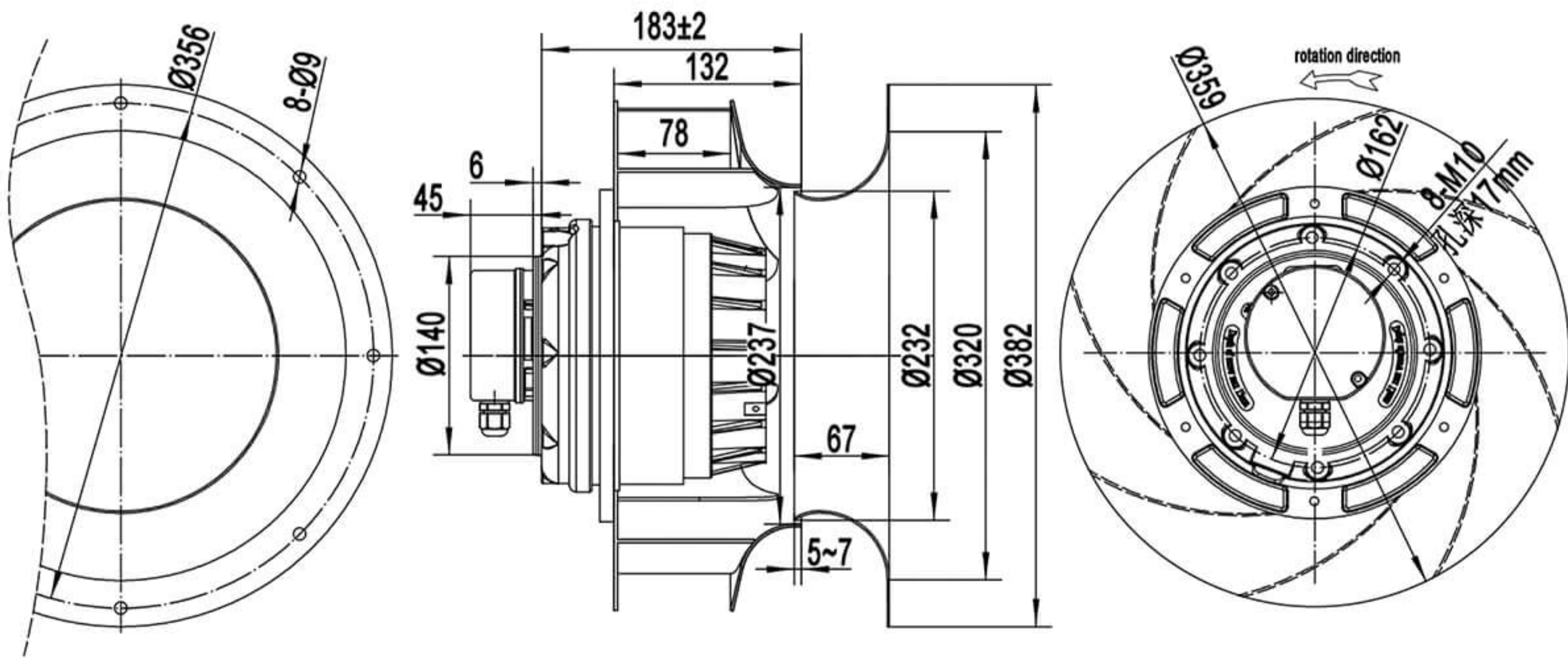


	Voltage V	Frequency Hz	Current A	Input Power W	Speed rpm	Capacitor $\mu$ F	Air Flow m <sup>3</sup> /h / CFM	Noise dB(A)	Temperature Min / Max(°C)	Curve No. #	Approvals
<b>BMF 355-132A-AVM0</b>	380/400	50	2.6	1600	2700	/	4500/2647	90	-30 / +60	①	CCC ,CE,RoHS

# 355-132-V Backward Centrifugal Fan

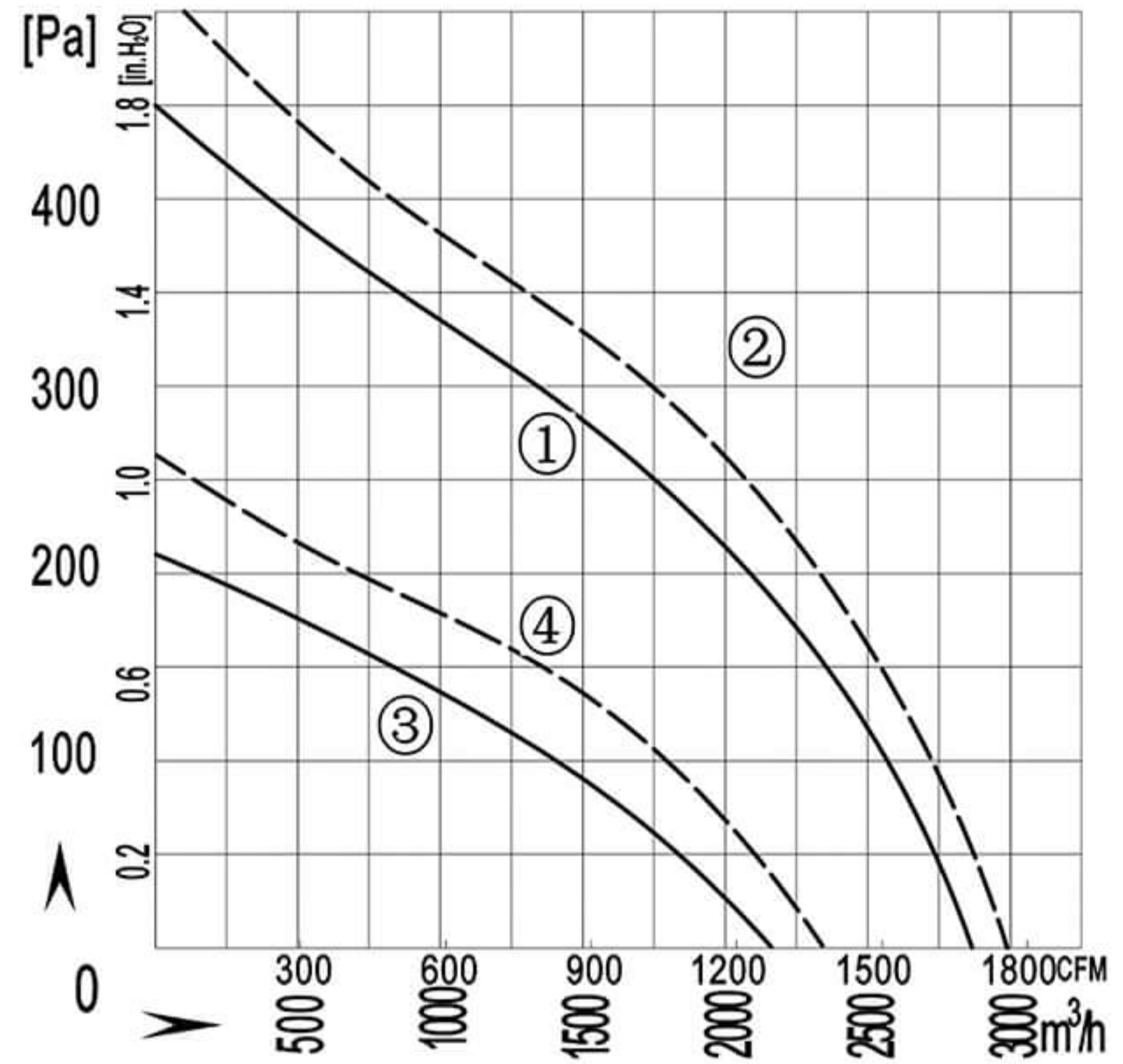


material: Sheet aluminium  
 Protection Class: IP54  
 Approvals: CCC CE  
 Insulation class: F



	Voltage V	Frequency Hz	Current A	Input Power W	Speed rpm	Capacitor µF	Air Flow m <sup>3</sup> /h / CFM	Noise dB(A)	Temperature Min / Max(°C)	Curve No. #	Approvals
<b>BMF 355-132A-AVM0</b>	380/400	50	2.6	1600	2700	/	4500/2647	90	-30 / +60	①	CCC ,CE,RoHS

# 400-147 Backward Centrifugal Fan

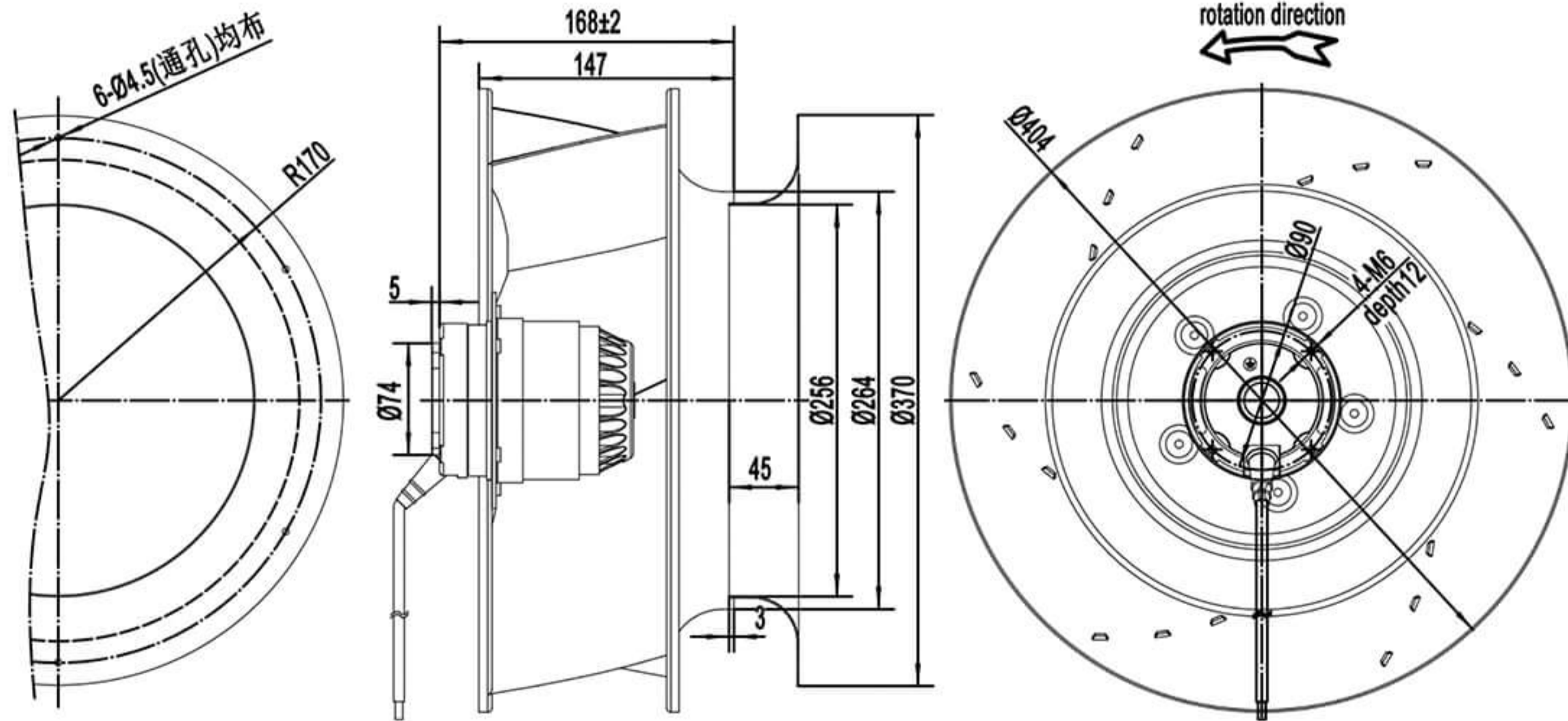


material: Sheet aluminium

Protection Class: IP54

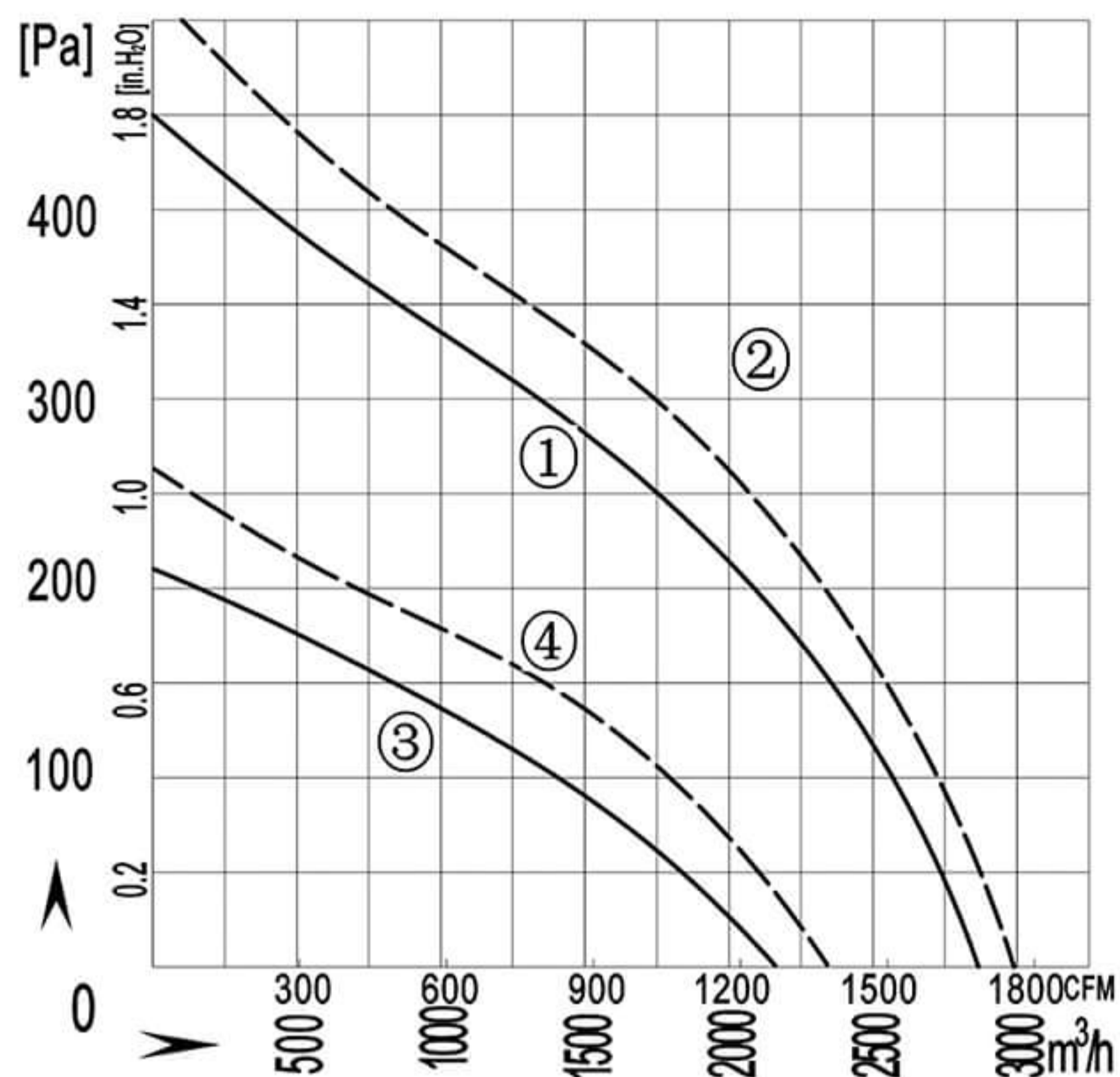
Approvals: CCC CE

Insulation class: F



	Voltage V	Frequency Hz	Current A	Input Power W	Speed rpm	Capacitor µF	Air Flow m3/h / CFM	Noise dB(A)	Temperature Min / Max(°C)	Curve No. #	Approvals
BMF 400-147A-AN00	220/230	50	1.20	260	1350	7	2850/1675	64	-30 / +60	①	CCC ,CE,RoHS
	220/230	60	1.50	330	1450	6	2950/1735	68	-30 / +60	②	
BMF 400-147A-AN00	380/400	50	0.6	265	1380	/	2850/1675	64	-30 / +60	①	CCC ,CE,RoHS
	380/400	60	0.75	320	1460	/	2950/1735	68	-30 / +60	②	
BMF 400-147A-AN00	220/230	50	0.72	135	940	6	2100/1235	56	-30 / +60	③	CCC ,CE,RoHS
	220/230	60	0.85	155	1050	6	2250/1323	57	-30 / +60	④	

# 400-147 Backward Centrifugal Fan

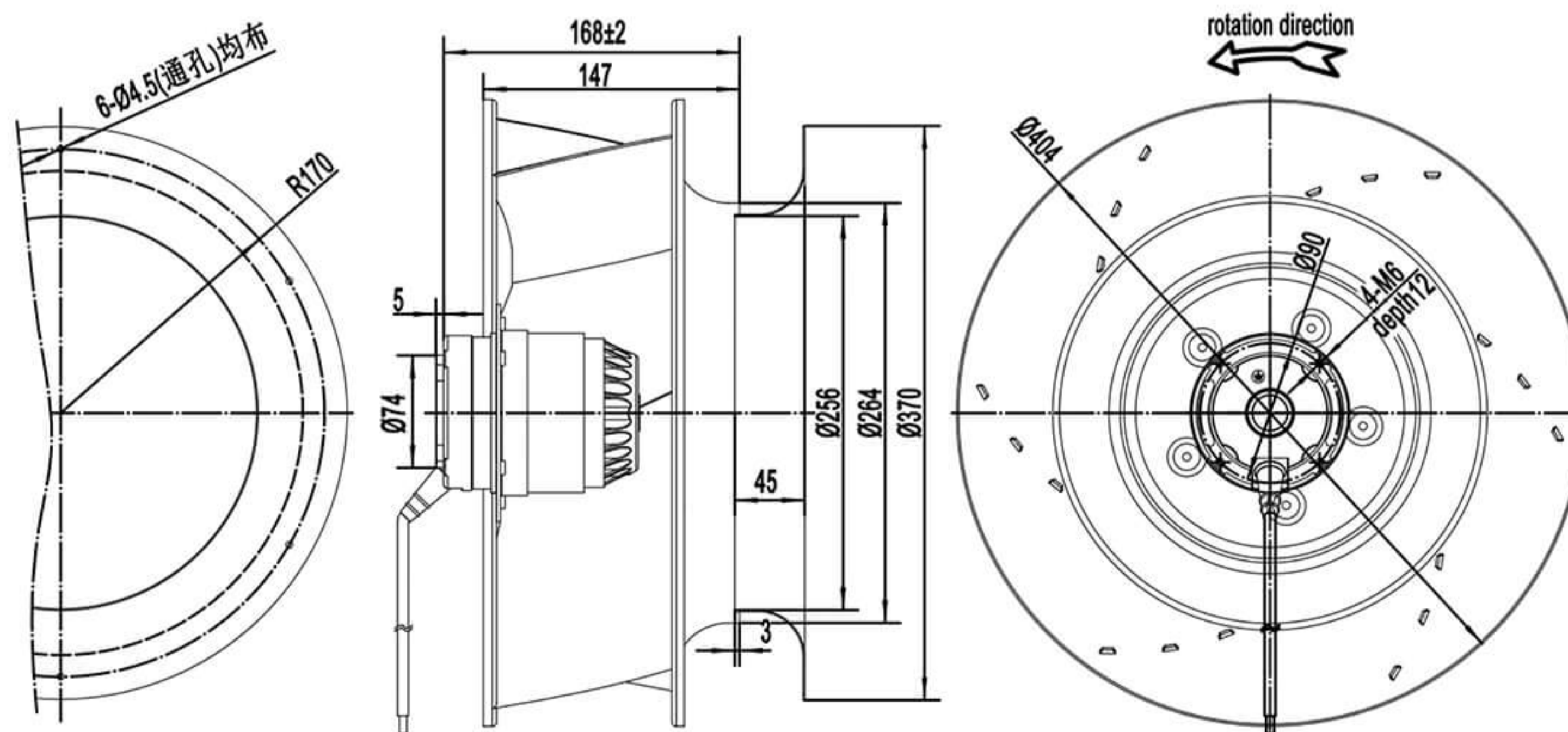


material: Sheet aluminium

Protection Class: IP54

Approvals: CCC CE

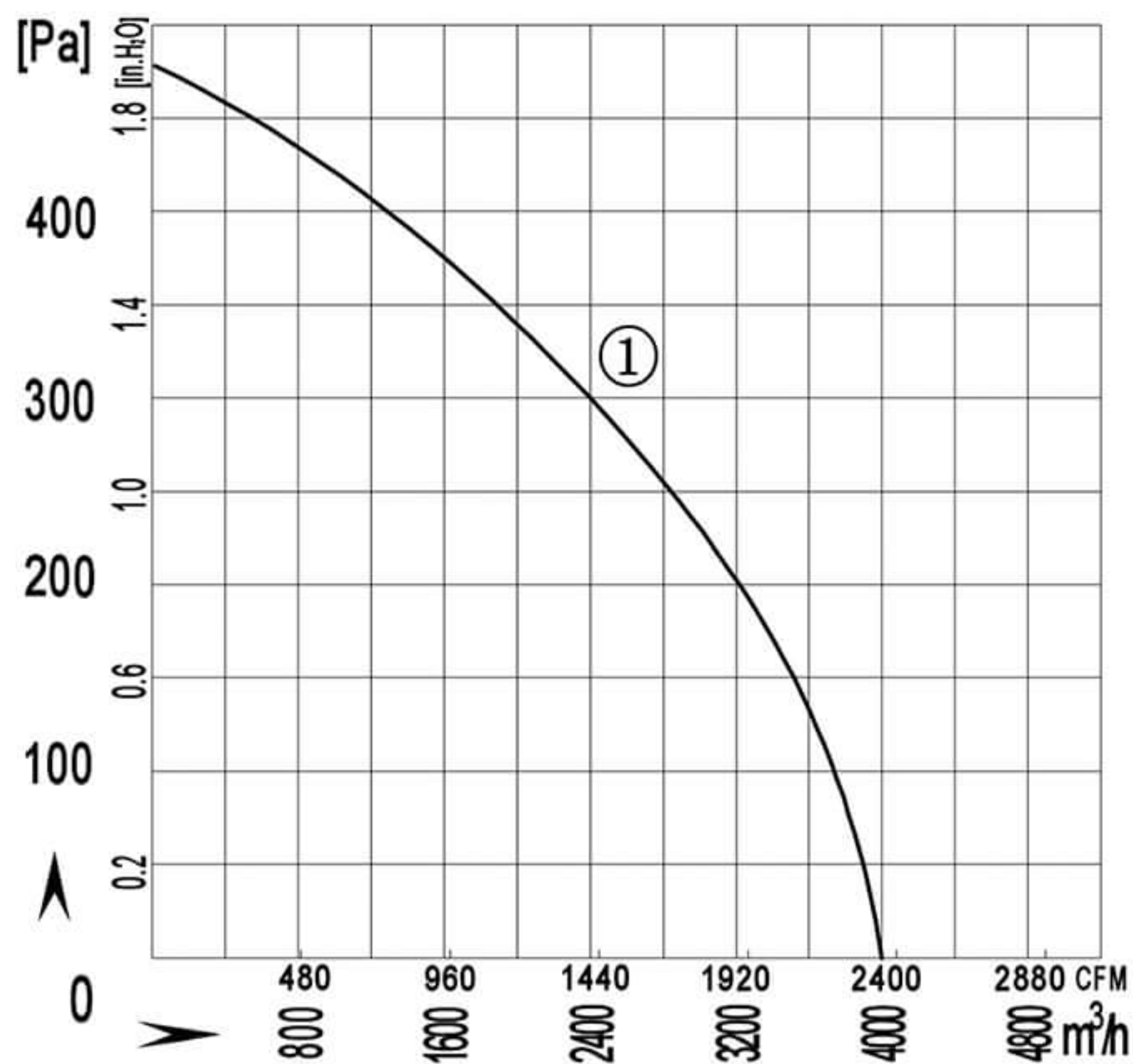
Insulation class: F



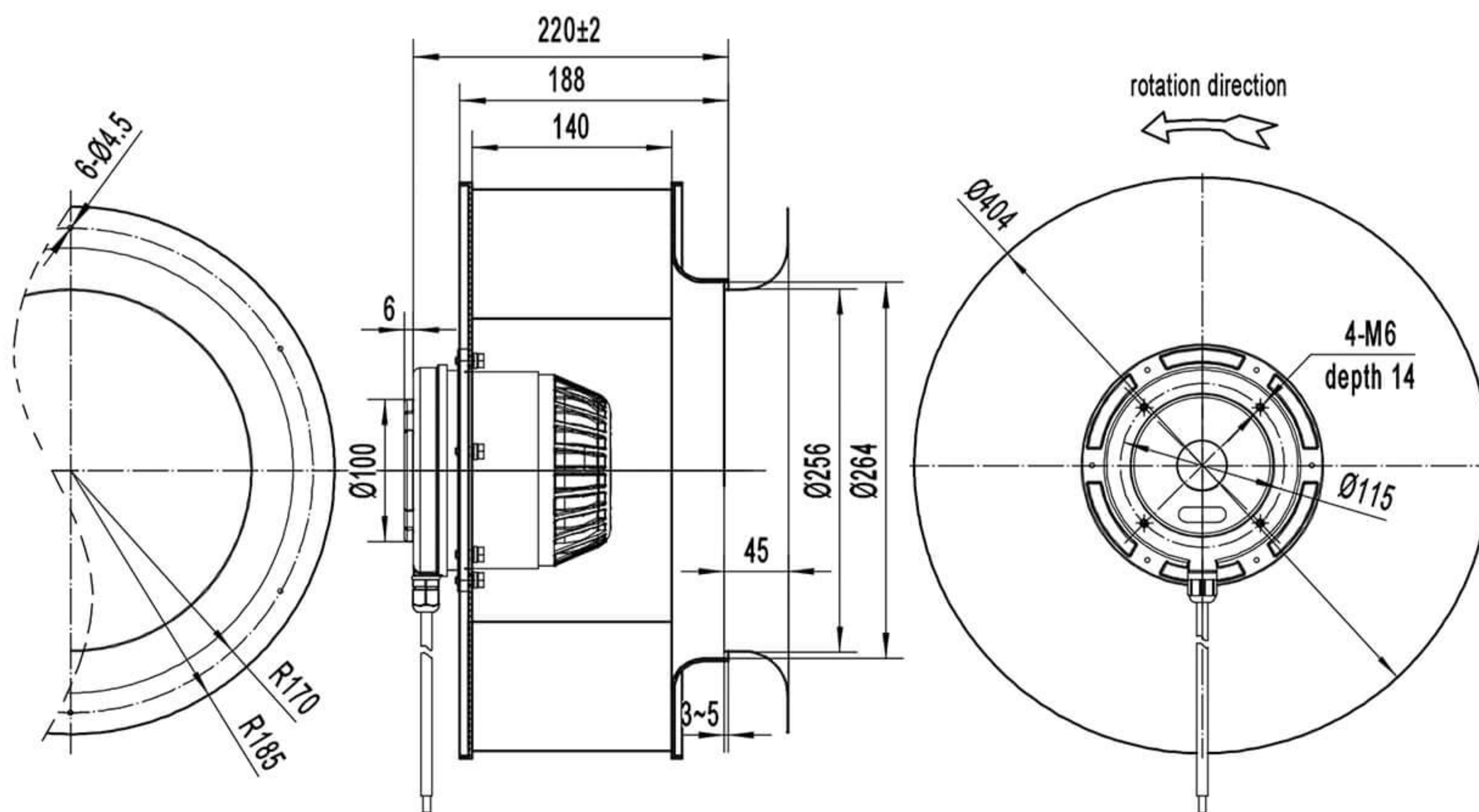
	Voltage V	Frequency Hz	Current A	Input Power W	Speed rpm	Capacitor µF	Air Flow m³/h / CFM	Noise dB(A)	Temperature Min / Max(°C)	Curve No. #	Approvals
BMF 400-147A-AN00	220/230	50	1.20	260	1350	7	2850/1675	64	-30 / +60	①	CCC ,CE,RoHS
	220/230	60	1.50	330	1450	6	2950/1735	68	-30 / +60	②	
BMF 400-147A-AN00	380/400	50	0.6	265	1380	/	2850/1675	64	-30 / +60	①	CCC ,CE,RoHS
	380/400	60	0.75	320	1460	/	2950/1735	68	-30 / +60	②	
BMF 400-147A-AN00	220/230	50	0.72	135	940	6	2100/1235	56	-30 / +60	③	CCC ,CE,RoHS
	220/230	60	0.85	155	1050	6	2250/1323	57	-30 / +60	④	



# 400-188 Backward Centrifugal Fan

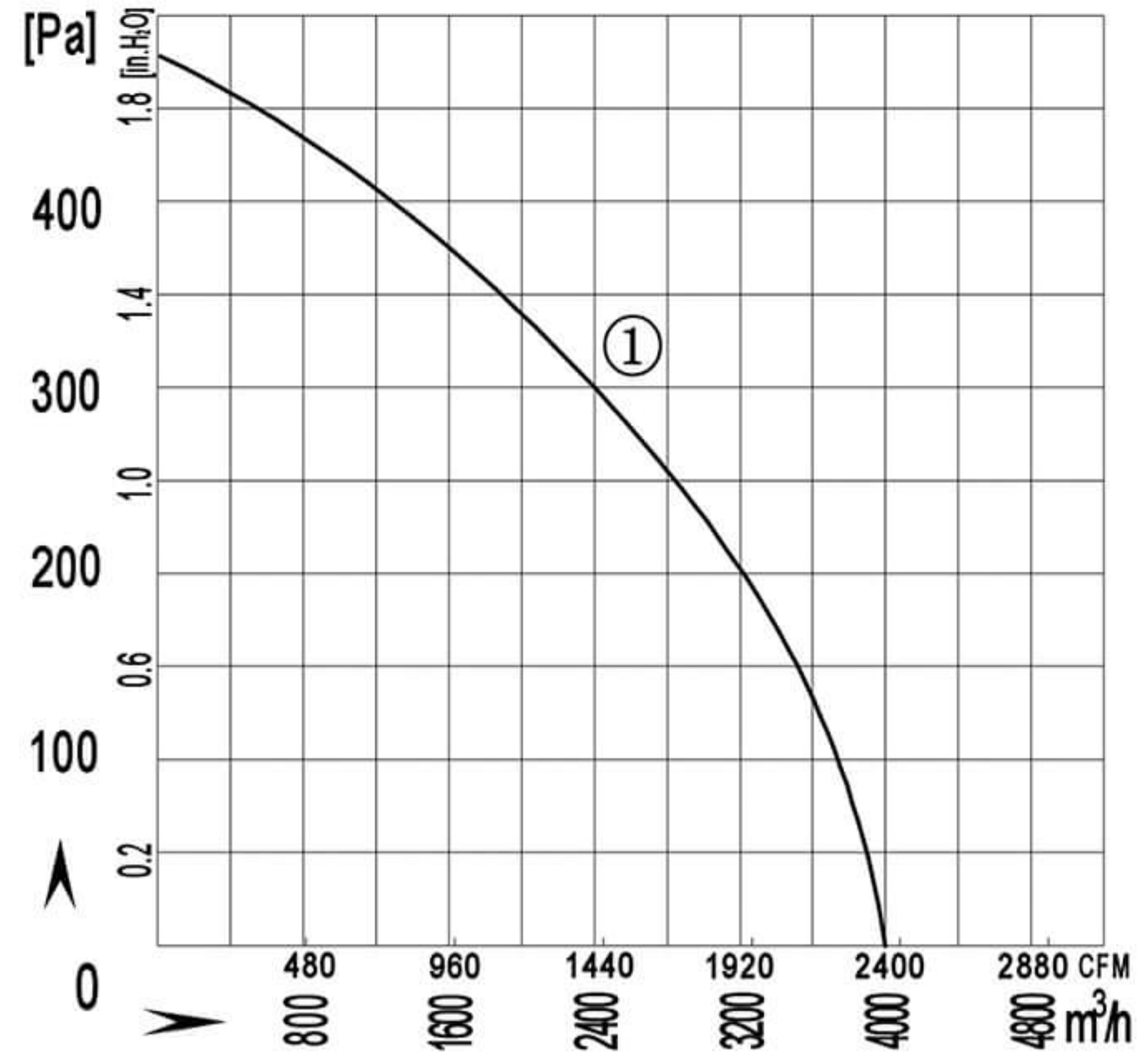


material: Sheet aluminium  
 Protection Class: IP54  
 Approvals: CCC CE  
 Insulation class: F

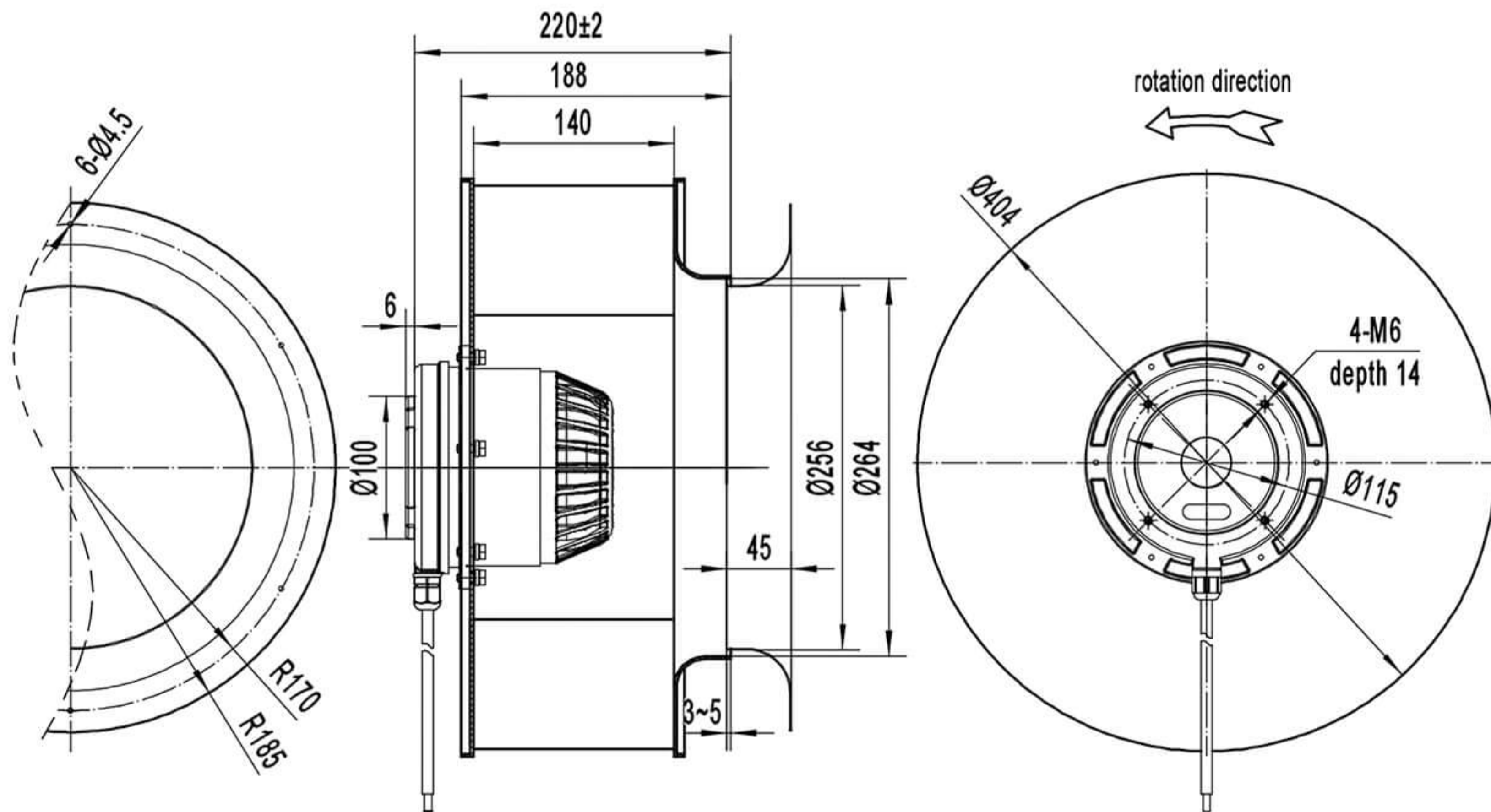


	Voltage V	Frequency Hz	Current A	Input Power W	Speed rpm	Capacitor µF	Air Flow m³/h / CFM	Noise dB(A)	Temperature Min / Max(°C)	Curve No. #	Approvals
BMF 400-188A-AS00	220/230	50	1.50	430	1380	10	4000 / 2353	66	-30 / +60	①	CCC ,CE,RoHS
BMF 400-188A-AS00	380/400	50	0.80	440	1380	/	4000 / 2353	66	-30 / +60	①	CCC ,CE,RoHS

# 400-188 Backward Centrifugal Fan

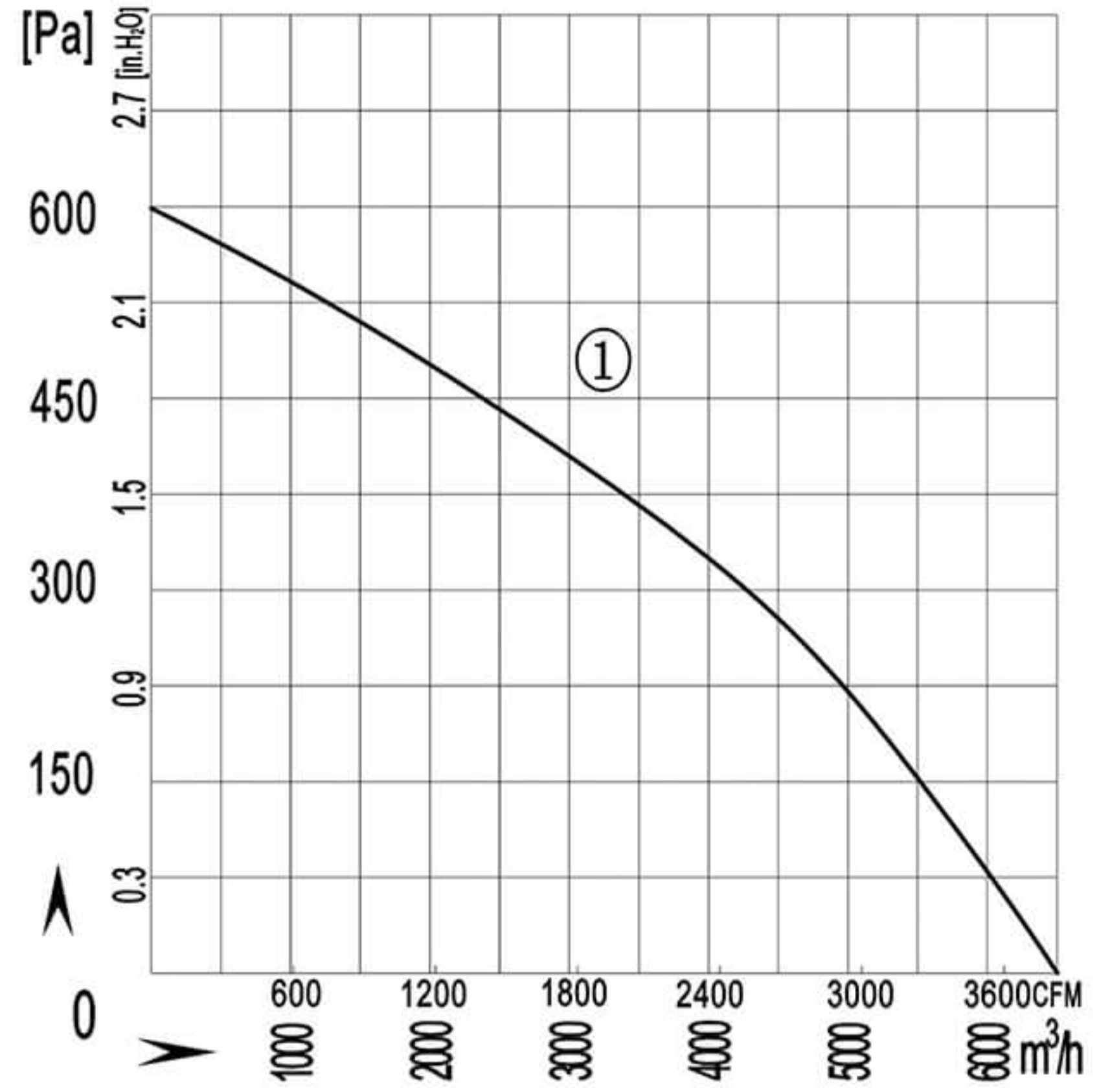


material: Sheet aluminium  
 Protection Class: IP54  
 Approvals: CCC CE  
 Insulation class: F



	Voltage V	Frequency Hz	Current A	Input Power W	Speed rpm	Capacitor µF	Air Flow m³/h / CFM	Noise dB(A)	Temperature Min / Max(°C)	Curve No. #	Approvals
BMF 400-188A-AS00	220/230	50	1.50	430	1380	10	4000 / 2353	66	-30 / +60	①	CCC ,CE,RoHS
BMF 400-188A-AS00	380/400	50	0.80	440	1380	/	4000 / 2353	66	-30 / +60	①	CCC ,CE,RoHS

# 450-209 Backward Centrifugal Fan

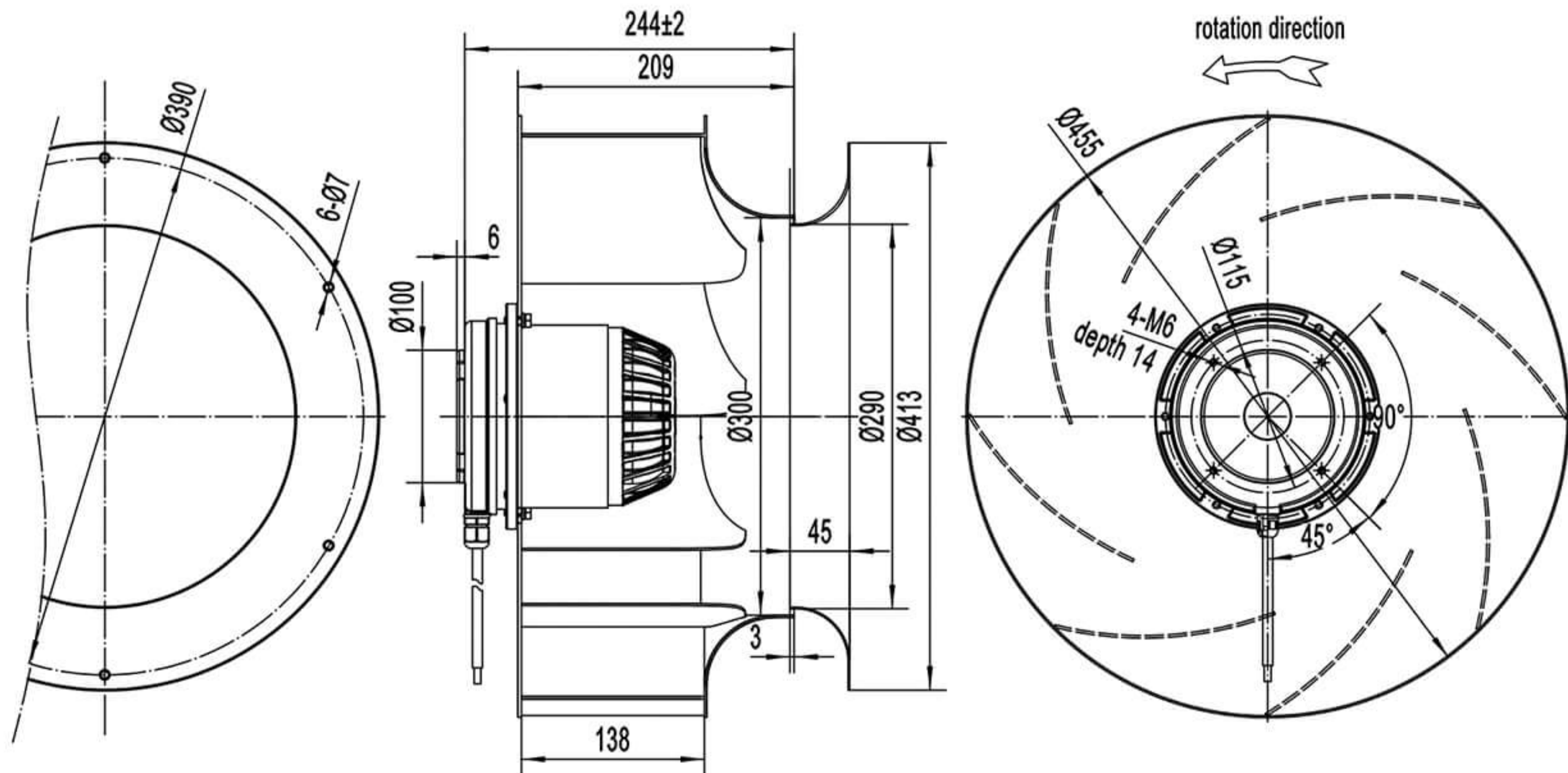


material: Sheet aluminium

Protection Class: IP54

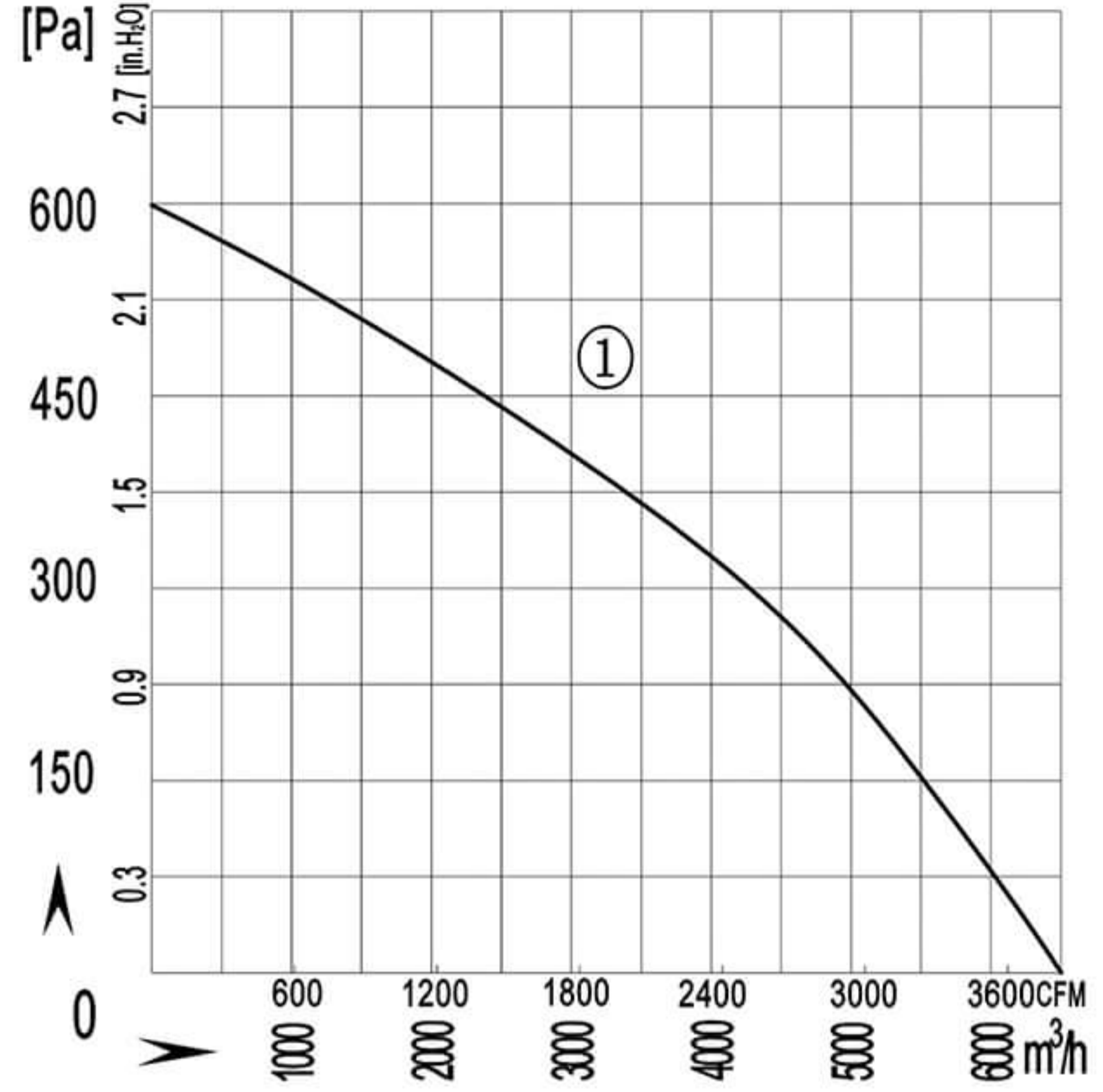
Approvals: CCC CE

Insulation class: F



	Voltage V	Frequency Hz	Current A	Input Power W	Speed rpm	Capacitor µF	Air Flow m³/h / CFM	Noise dB(A)	Temperature Min / Max(°C)	Curve No. #	Approvals
<b>BMF 450-209A-AT00</b>	380/400	50	1.5	800	1350	/	6700/3941	79	-30 / +60	①	CCC ,CE,RoHS

# 450-209 Backward Centrifugal Fan

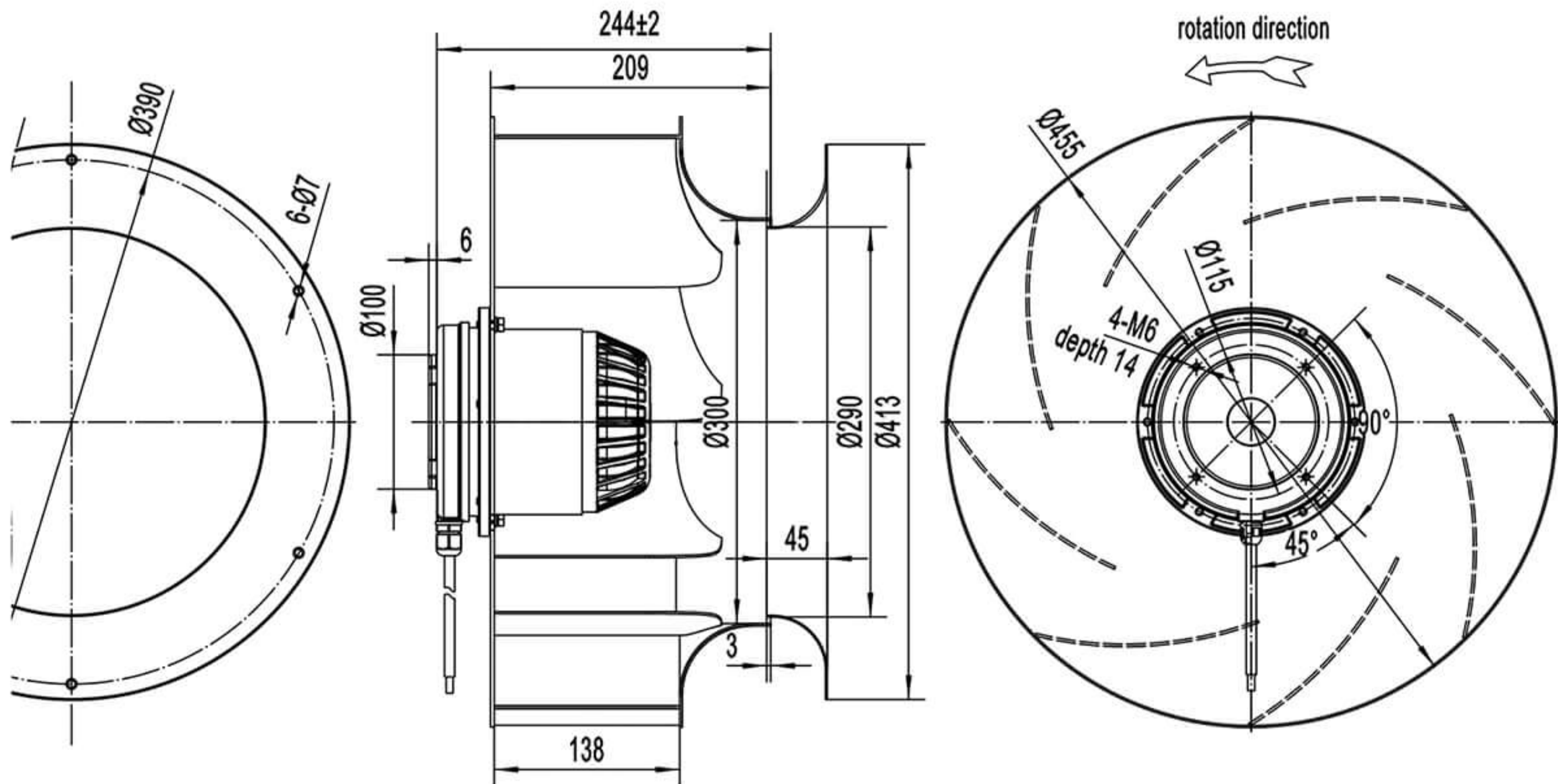


material: Sheet aluminium

Protection Class: IP54

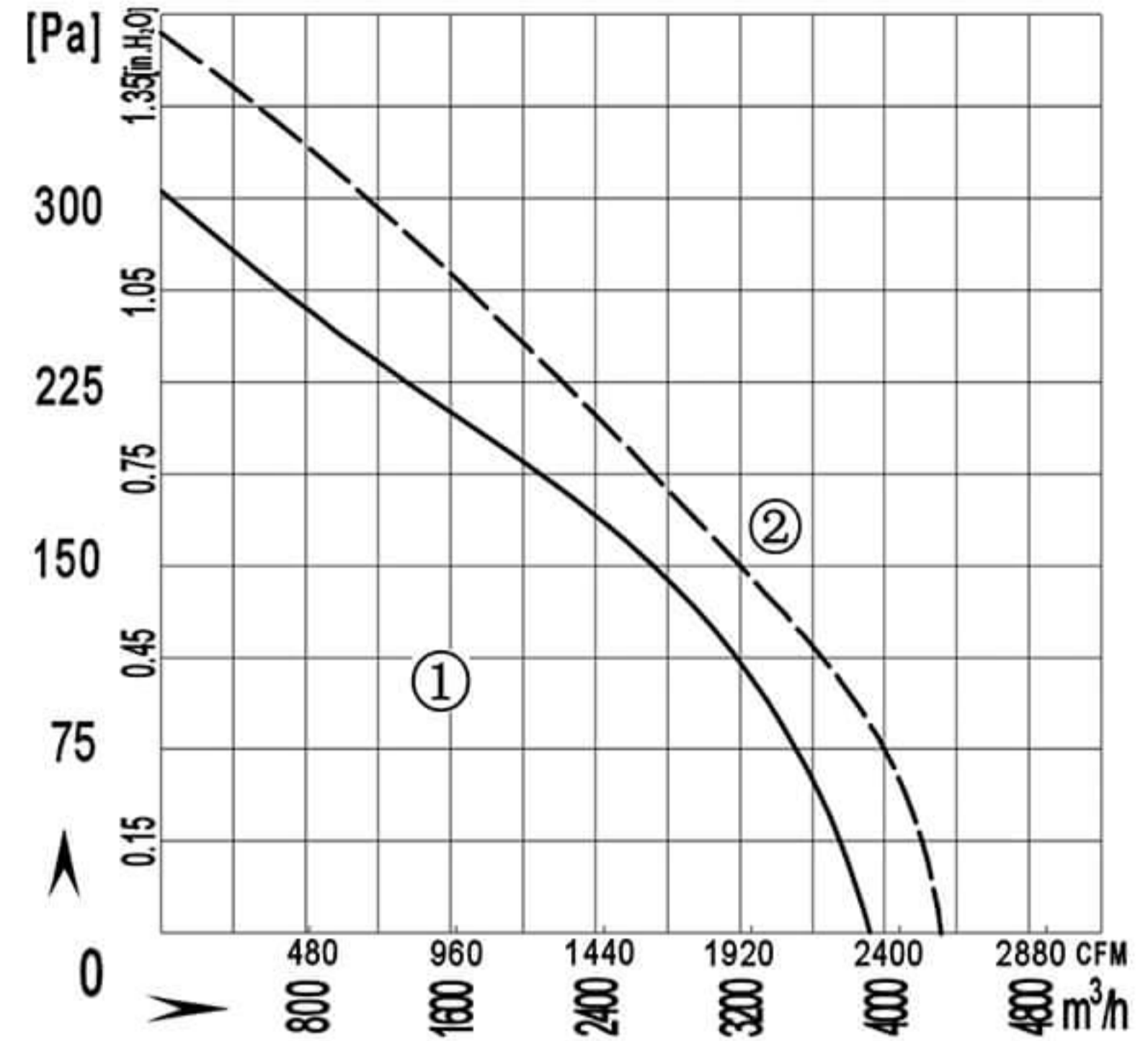
Approvals: CCC CE

Insulation class: F



	Voltage V	Frequency Hz	Current A	Input Power W	Speed rpm	Capacitor $\mu F$	Air Flow m <sup>3</sup> /h / CFM	Noise dB(A)	Temperature Min / Max(°C)	Curve No. #	Approvals
BMF 450-209A-AT00	380/400	50	1.5	800	1350	/	6700 / 3941	79	-30 / +60	①	CCC ,CE,RoHS

# 450-218 Backward Centrifugal Fan

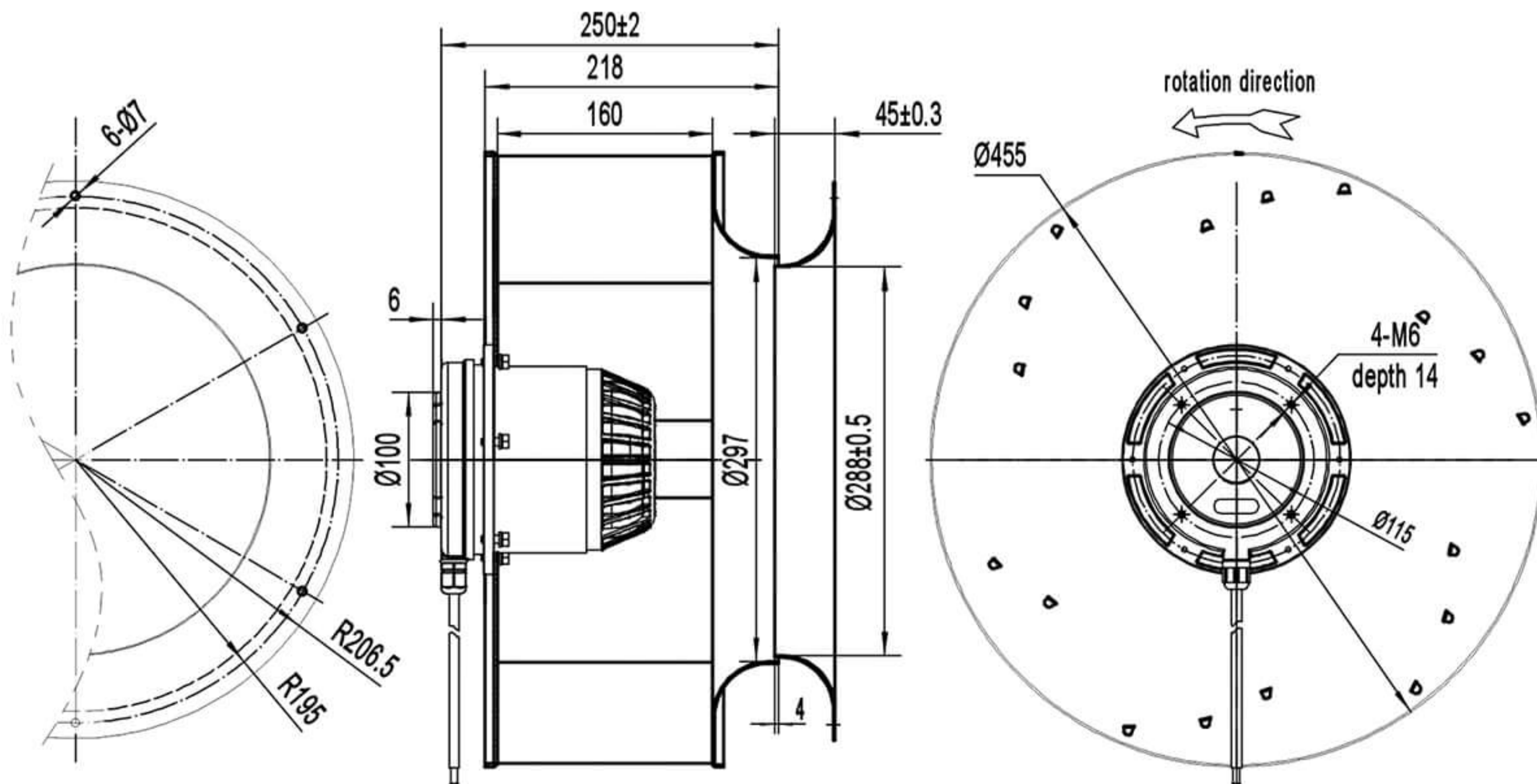


material: Sheet aluminium

Protection Class: IP54

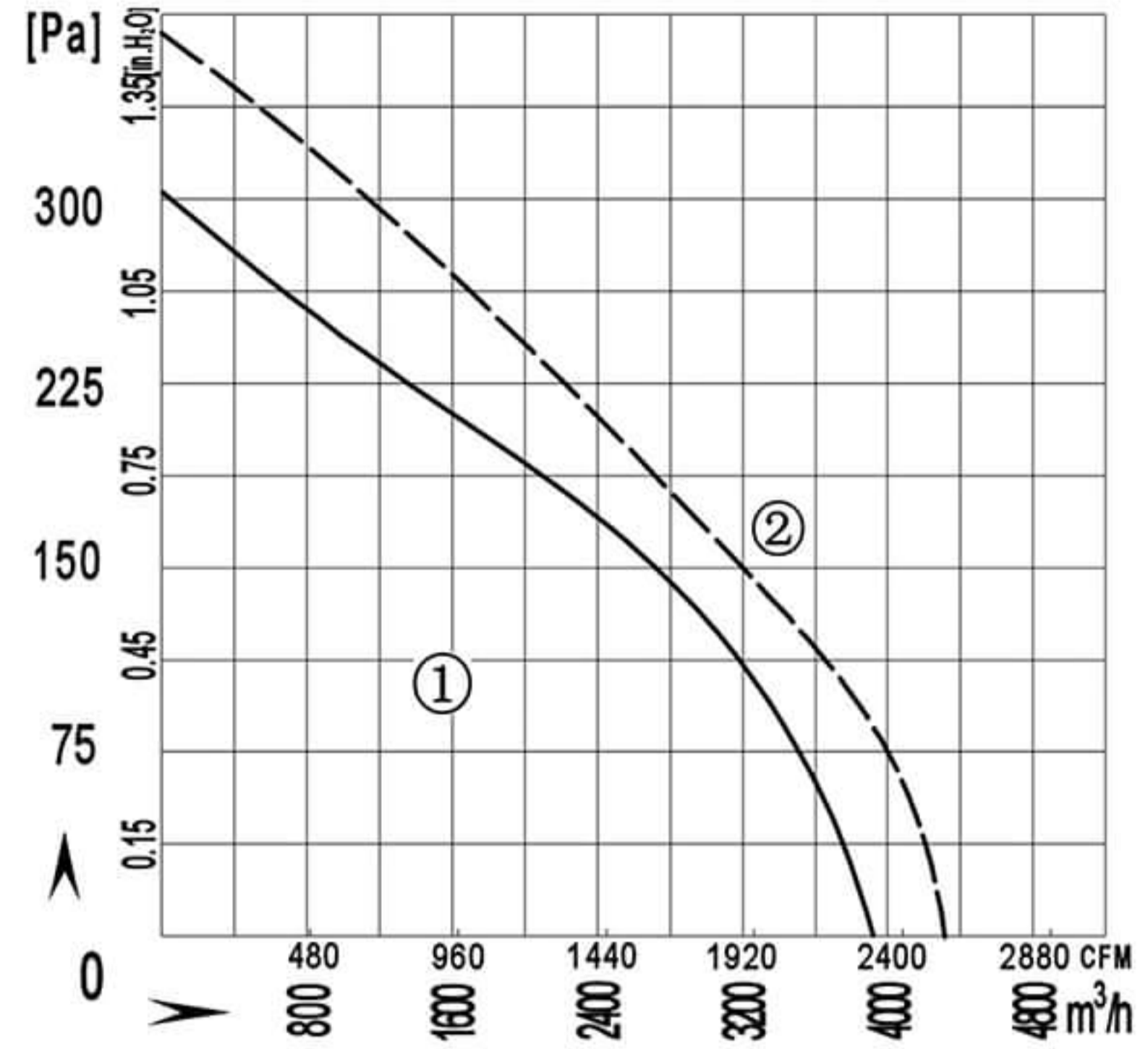
Approvals: CCC CE

Insulation class: F



	Voltage V	Frequency Hz	Current A	Input Power W	Speed rpm	Capacitor µF	Air Flow m3/h / CFM	Noise dB(A)	Temperature Min / Max(°C)	Curve No. #	Approvals
BMF 450-218A-AS00	220/230	50	1.3	260	930	10	3900 / 2294	60	-30 / +60	①	CCC ,CE,RoHS
	220/230	60	1.6	350	1050	10	4200 / 2470	61	-30 / +60	②	CCC ,CE,RoHS
BMF 450-218A-AS00	380/400	50	1.0	300	920	/	3900 / 2294	60	-30 / +60	①	CCC ,CE,RoHS
	380/400	60	1.2	360	1050	/	4200 / 2470	61	-30 / +60	②	CCC ,CE,RoHS

# 450-218 Backward Centrifugal Fan

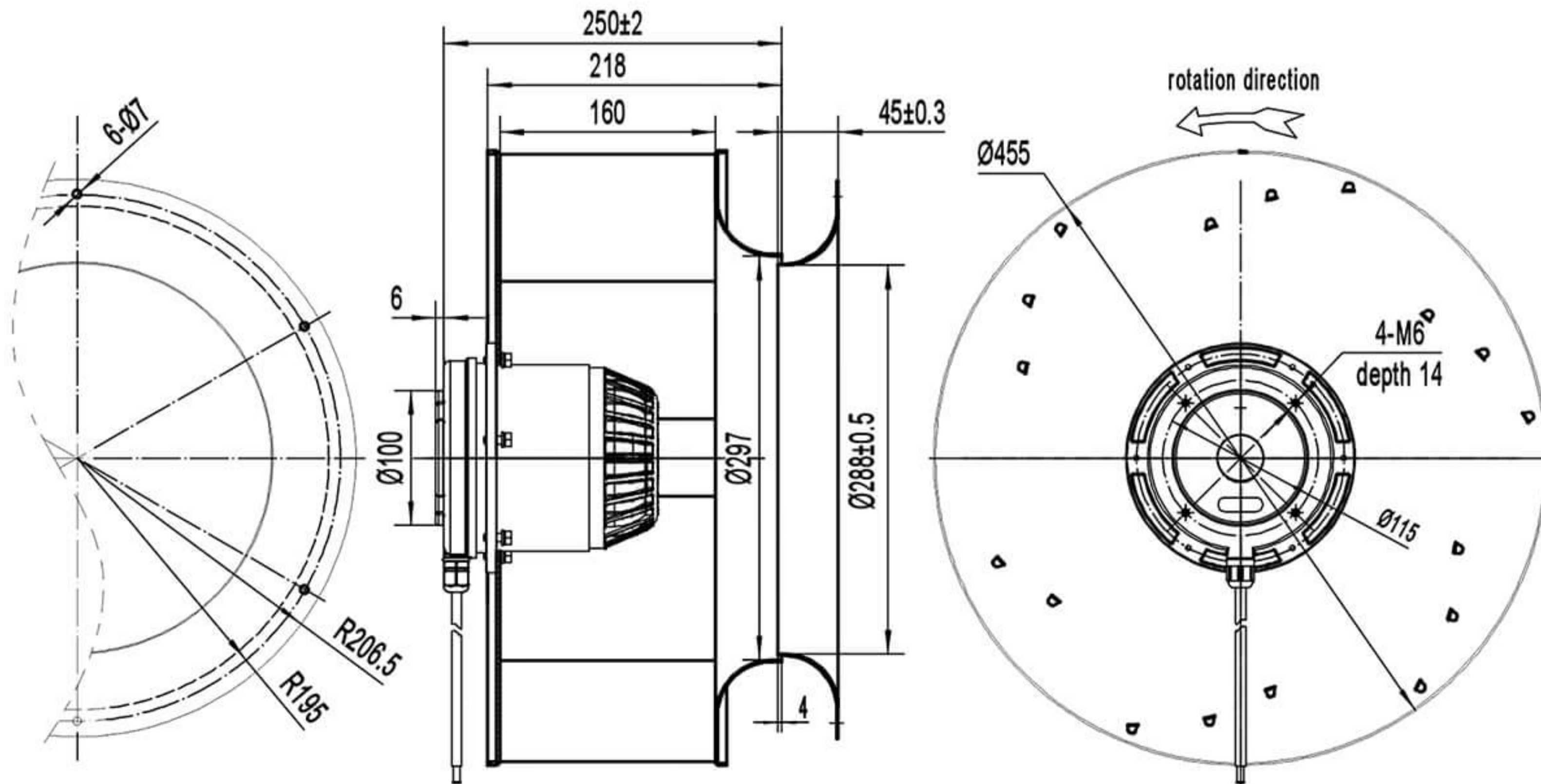


material: Sheet aluminium

Protection Class: IP54

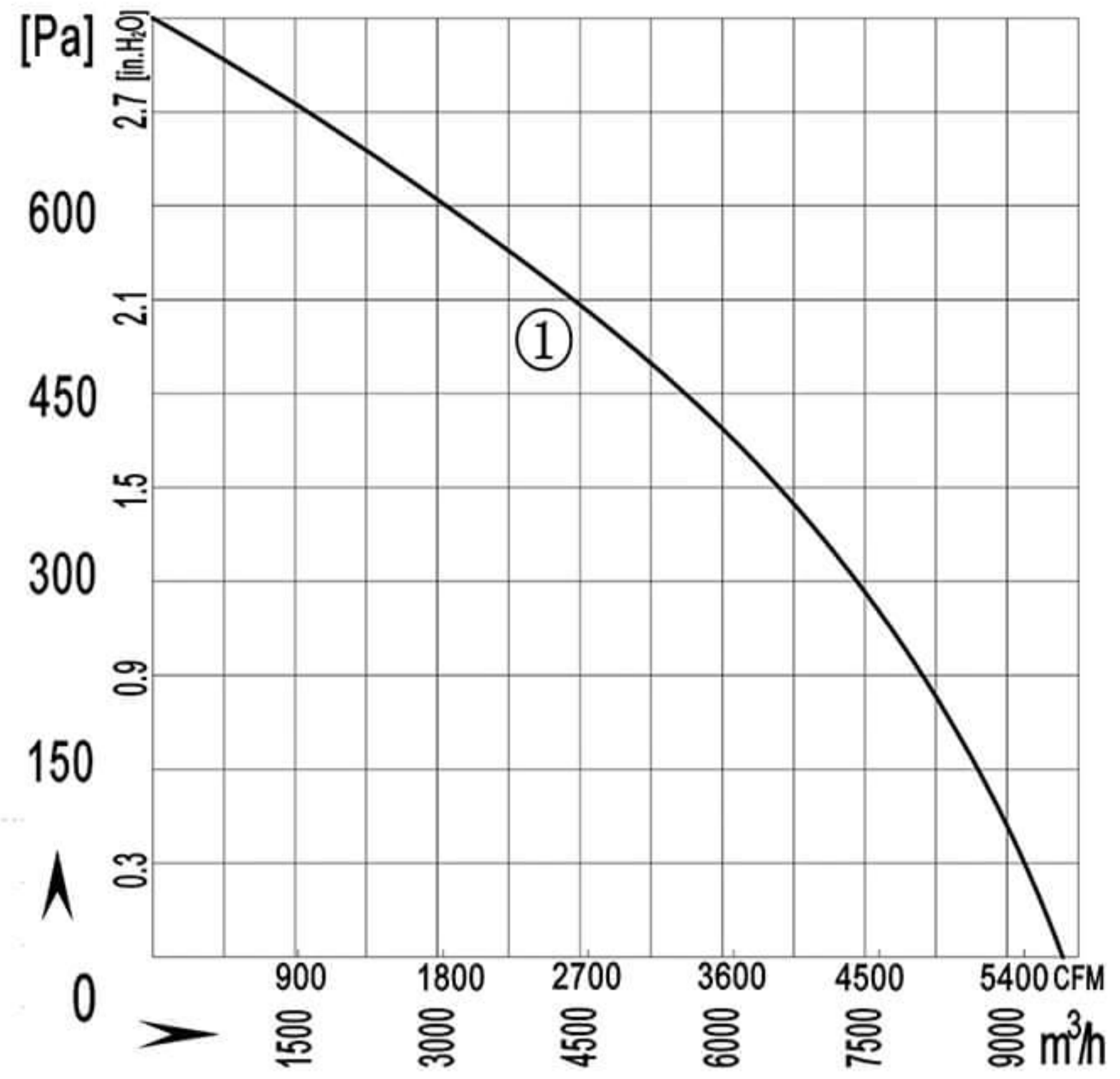
Approvals: CCC CE

Insulation class: F

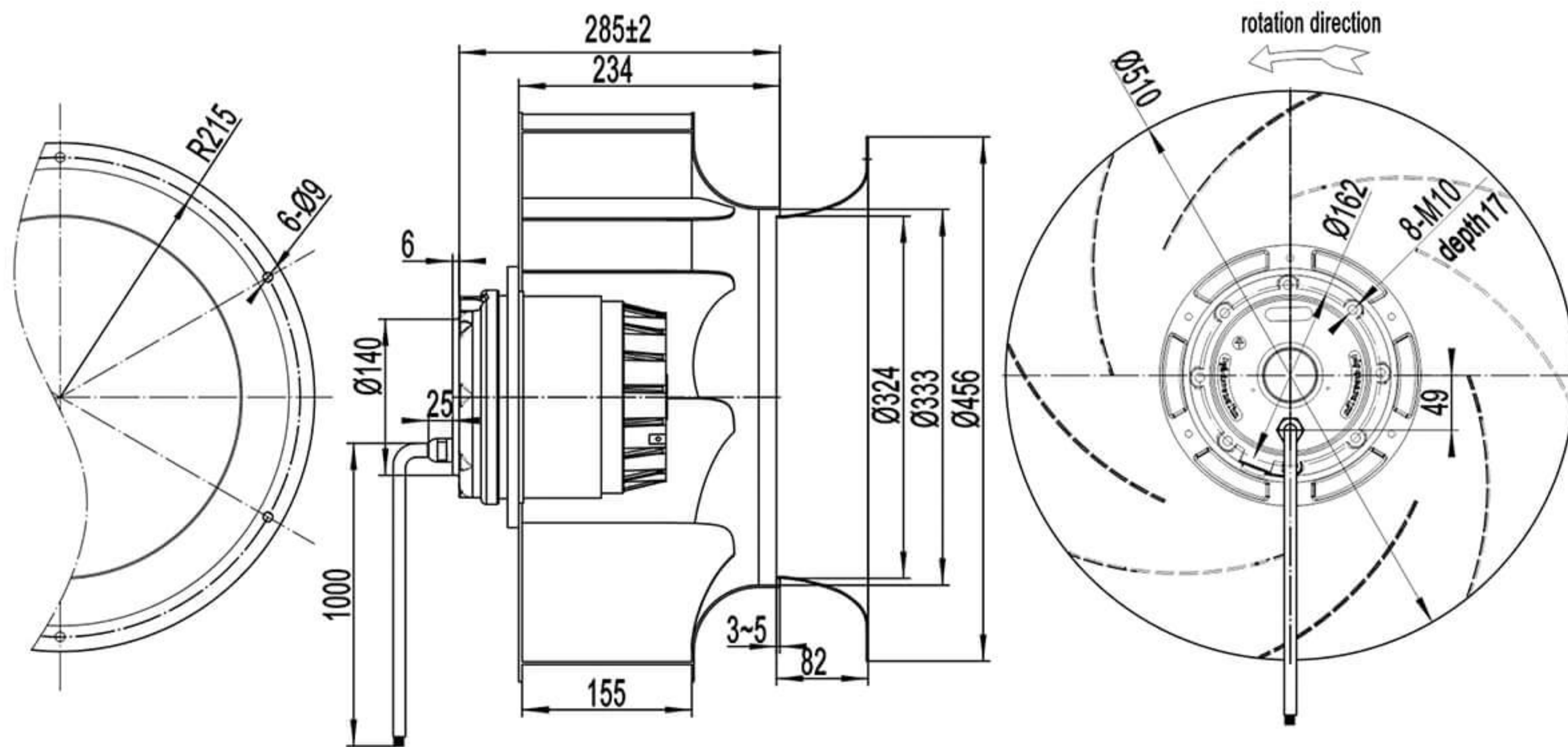


	Voltage V	Frequency Hz	Current A	Input Power W	Speed rpm	Capacitor µF	Air Flow m3/h / CFM	Noise dB(A)	Temperature Min / Max(°C)	Curve No. #	Approvals
BMF 450-218A-AS00	220/230	50	1.3	260	930	10	3900/2294	60	-30 / +60	①	CCC ,CE,RoHS
	220/230	60	1.6	350	1050	10	4200/2470	61	-30 / +60	②	CCC ,CE,RoHS
BMF 450-218A-AS00	380/400	50	1.0	300	920	/	3900/2294	60	-30 / +60	①	CCC ,CE,RoHS
	380/400	60	1.2	360	1050	/	4200/2470	61	-30 / +60	②	CCC ,CE,RoHS

# 500-234 Backward Centrifugal Fan

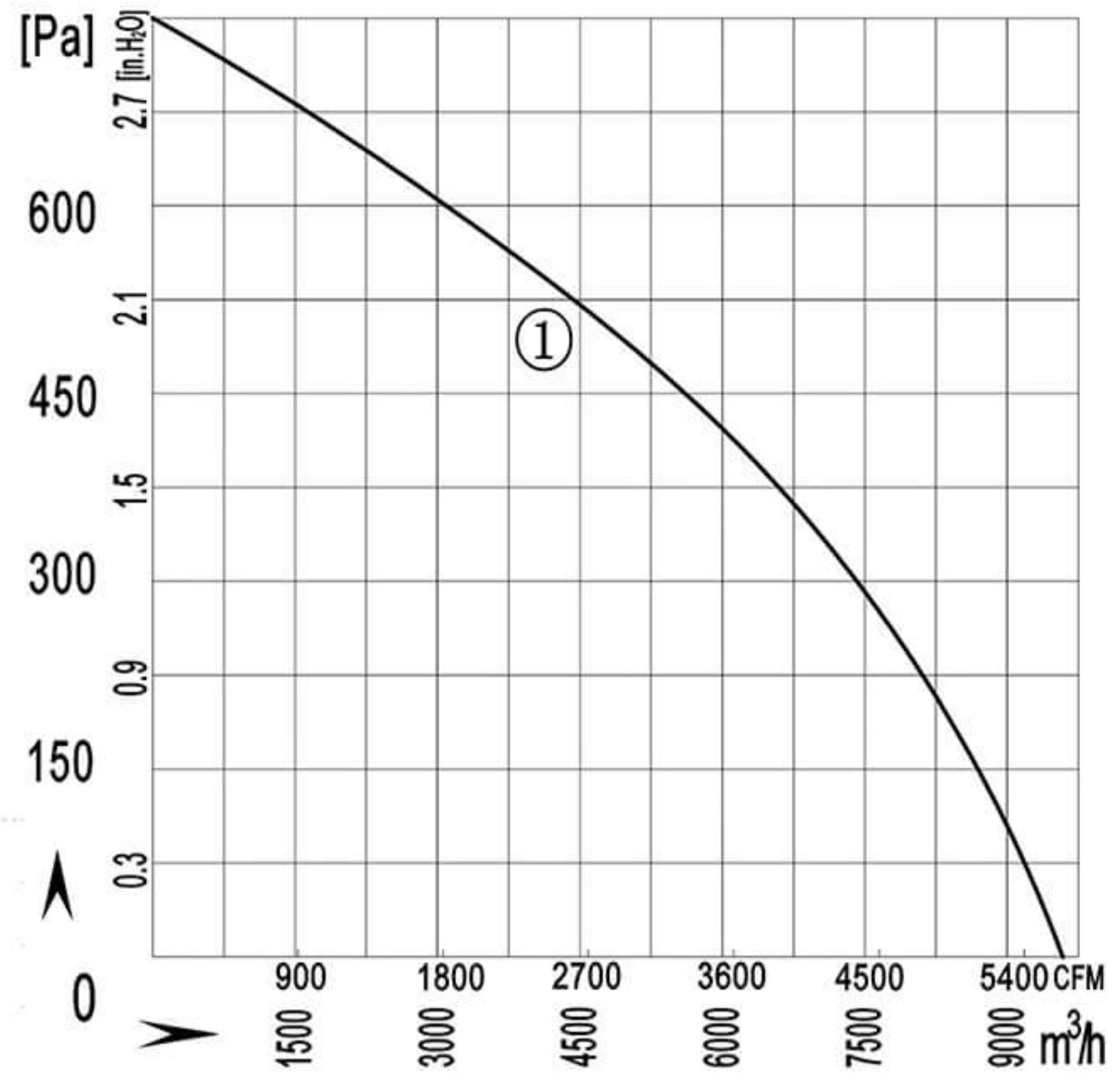


material: Sheet aluminium  
 Protection Class: IP54  
 Approvals: CCC CE  
 Insulation class: F

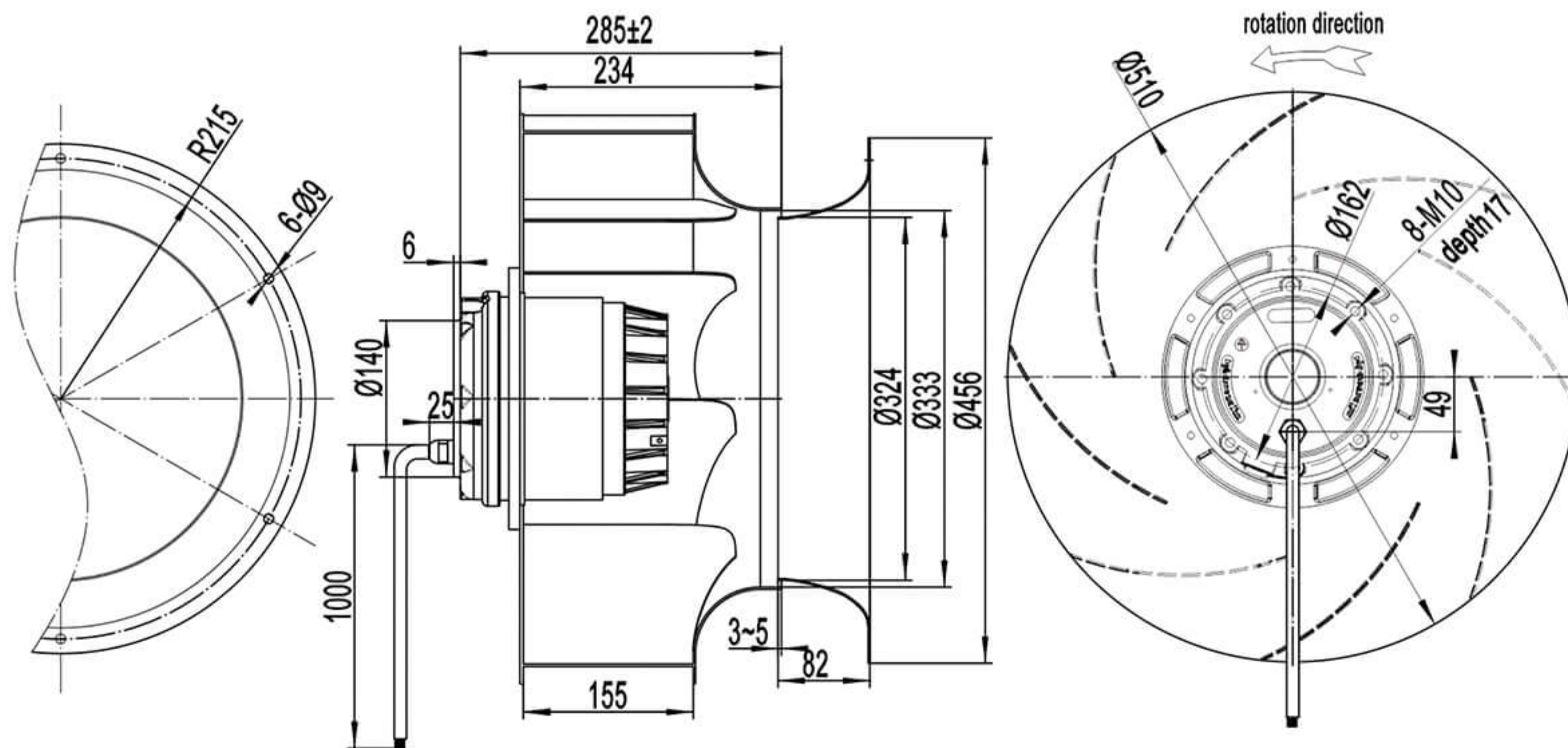


	Voltage V	Frequency Hz	Current A	Input Power W	Speed rpm	Capacitor $\mu$ F	Air Flow m³/h / CFM	Noise dB(A)	Temperature Min / Max(°C)	Curve No. #	Approvals
BMF500-234A-AW00	380/400	50	2.6	1500	1400	/	9500 / 5588	80	-30 / +60	①	CCC ,CE,RoHS

# 500-234 Backward Centrifugal Fan



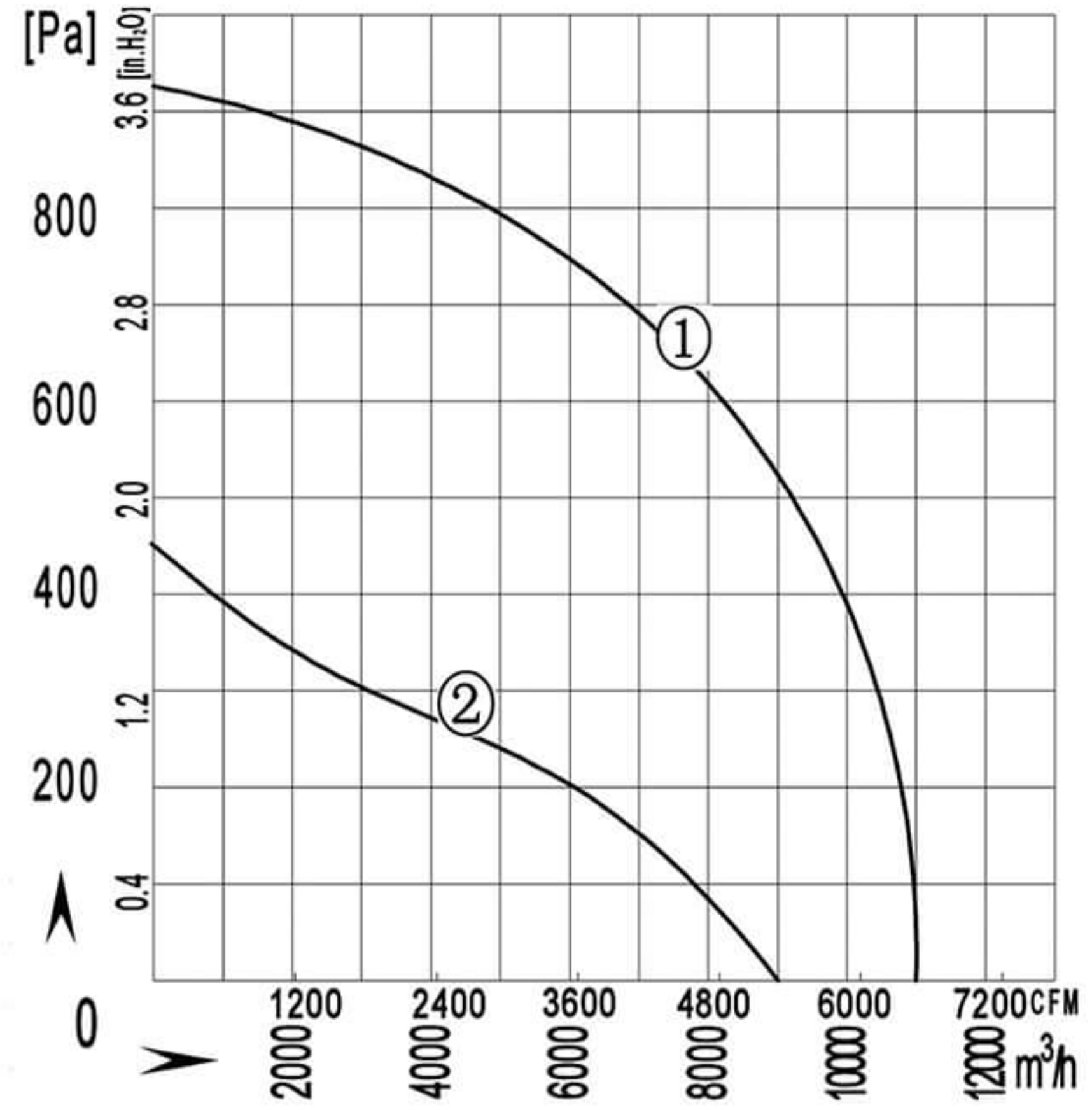
material: Sheet aluminium  
 Protection Class: IP54  
 Approvals: CCC CE  
 Insulation class: F



	Voltage V	Frequency Hz	Current A	Input Power W	Speed rpm	Capacitor µF	Air Flow m³/h / CFM	Noise dB(A)	Temperature Min / Max(°C)	Curve No. #	Approvals
<b>BMF500-234A-AW00</b>	380/400	50	2.6	1500	1400	/	9500 / 5588	80	-30 / +60	①	CCC ,CE,RoHS



# 560-220 Backward Centrifugal Fan

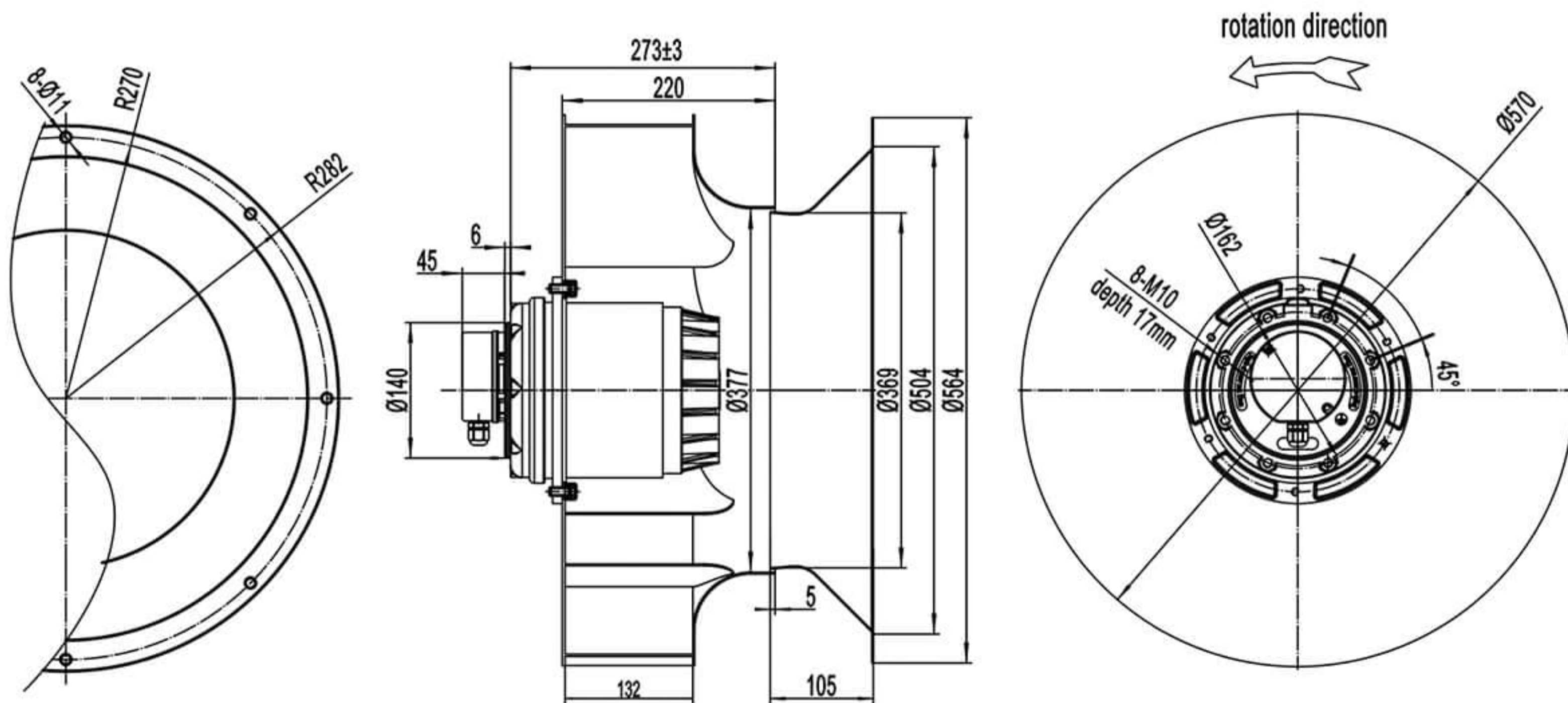


material: Sheet aluminium

Protection Class: IP54

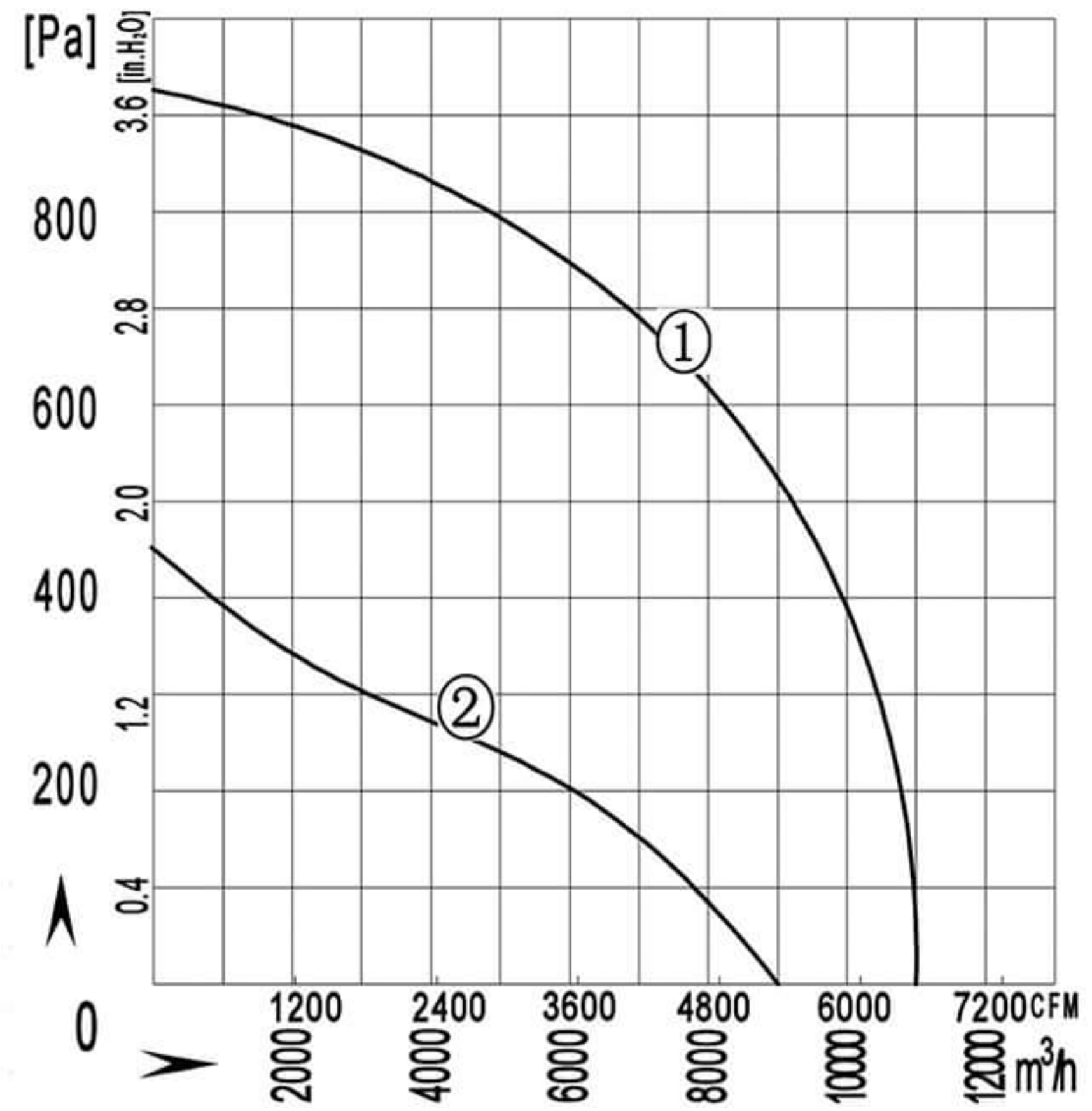
Approvals: CCC CE

Insulation class: F



	Voltage V	Frequency Hz	Current A	Input Power W	Speed rpm	Capacitor µF	Air Flow m³/h / CFM	Noise dB(A)	Temperature Min / Max(°C)	Curve No. #	Approvals
BMF560-220A-AXM0	380/400	50	4.5	2500	1350	/	11000/6470	85	-30 / +60	①	CCC, CE, RoHS
BMF560-220A-AWM0	380/400	50	1.8	900	910	/	9000/5294	73	-30 / +60	②	

# 560-220 Backward Centrifugal Fan

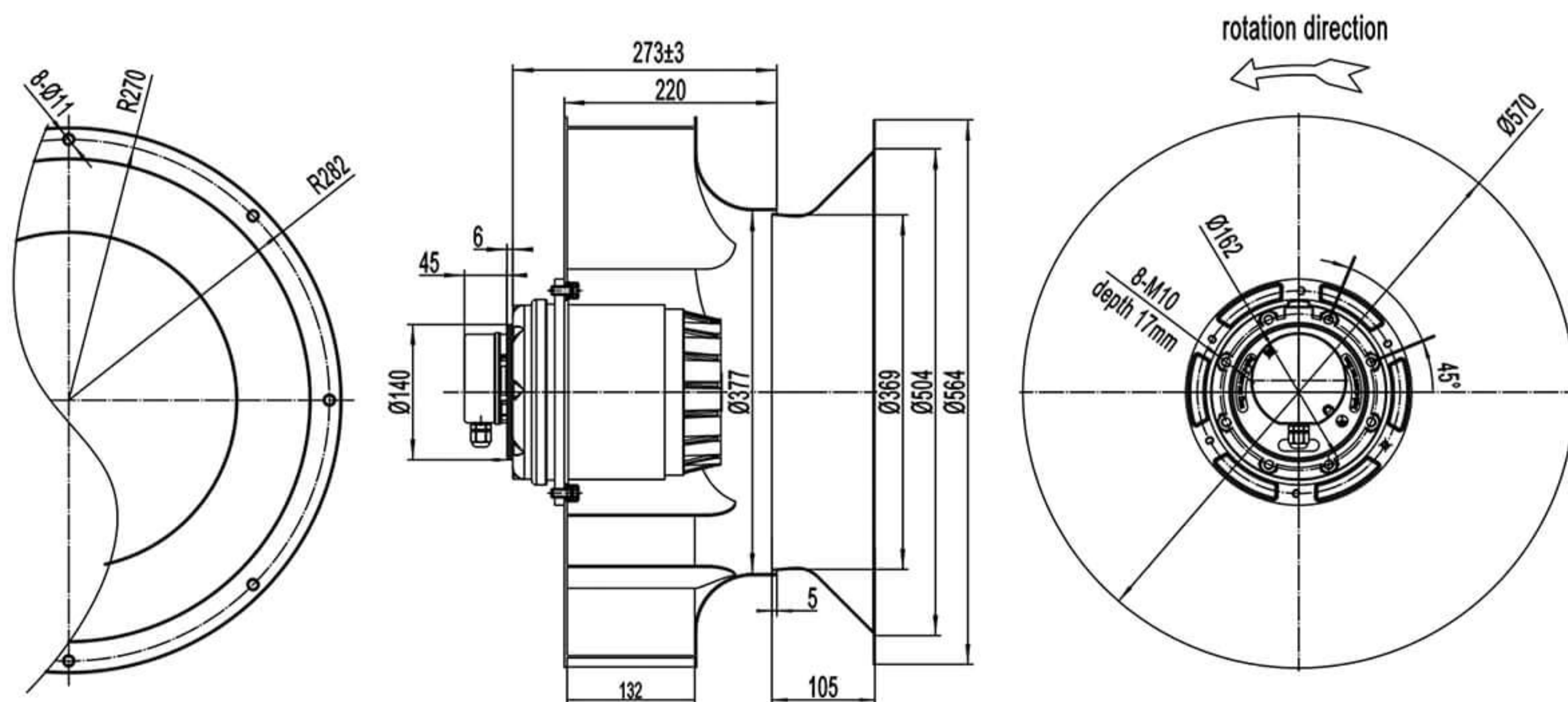


material: Sheet aluminium

Protection Class: IP54

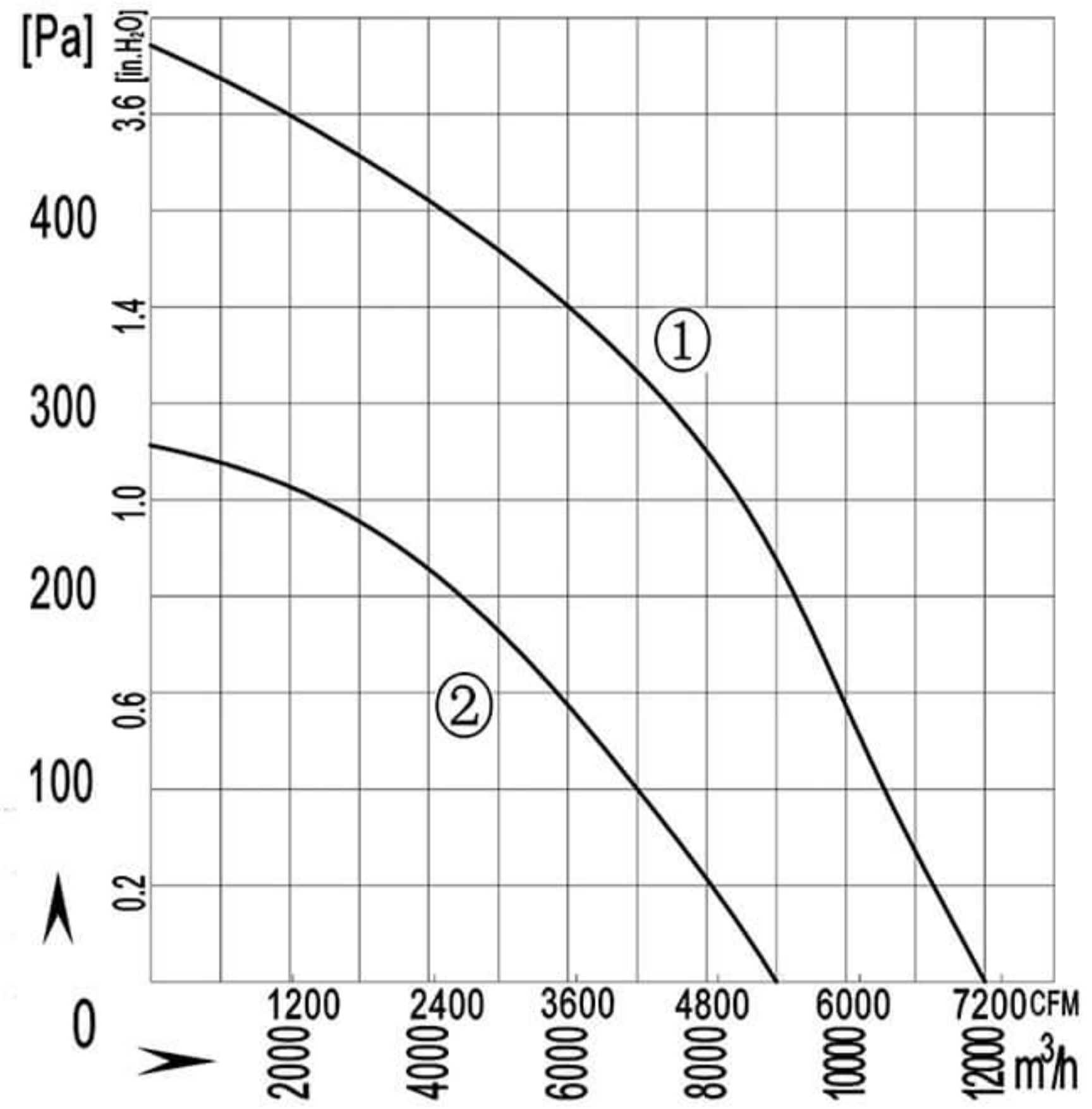
Approvals: CCC CE

Insulation class: F

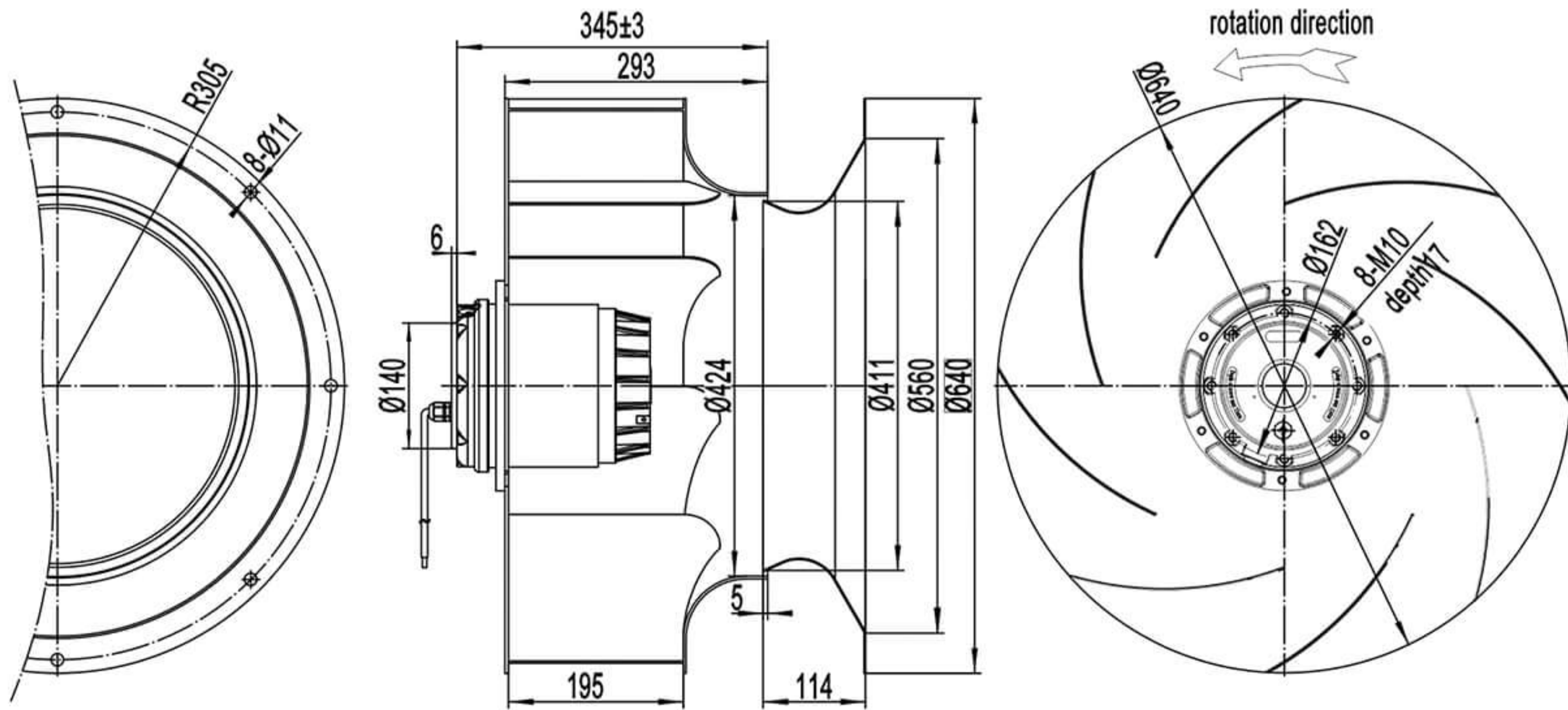


	Voltage V	Frequency Hz	Current A	Input Power W	Speed rpm	Capacitor µF	Air Flow m³/h / CFM	Noise dB(A)	Temperature Min / Max(°C)	Curve No. #	Approvals
BMF560-220A-AXM0	380/400	50	4.5	2500	1350	/	11000/6470	85	-30 / +60	①	CCC ,CE,RoHS
BMF560-220A-AWM0	380/400	50	1.8	900	910	/	9000/5294	73	-30 / +60	②	

# 630-293 Backward Centrifugal Fan



material: Sheet aluminium  
 Protection Class: IP54  
 Approvals: CCC CE  
 Insulation class: F

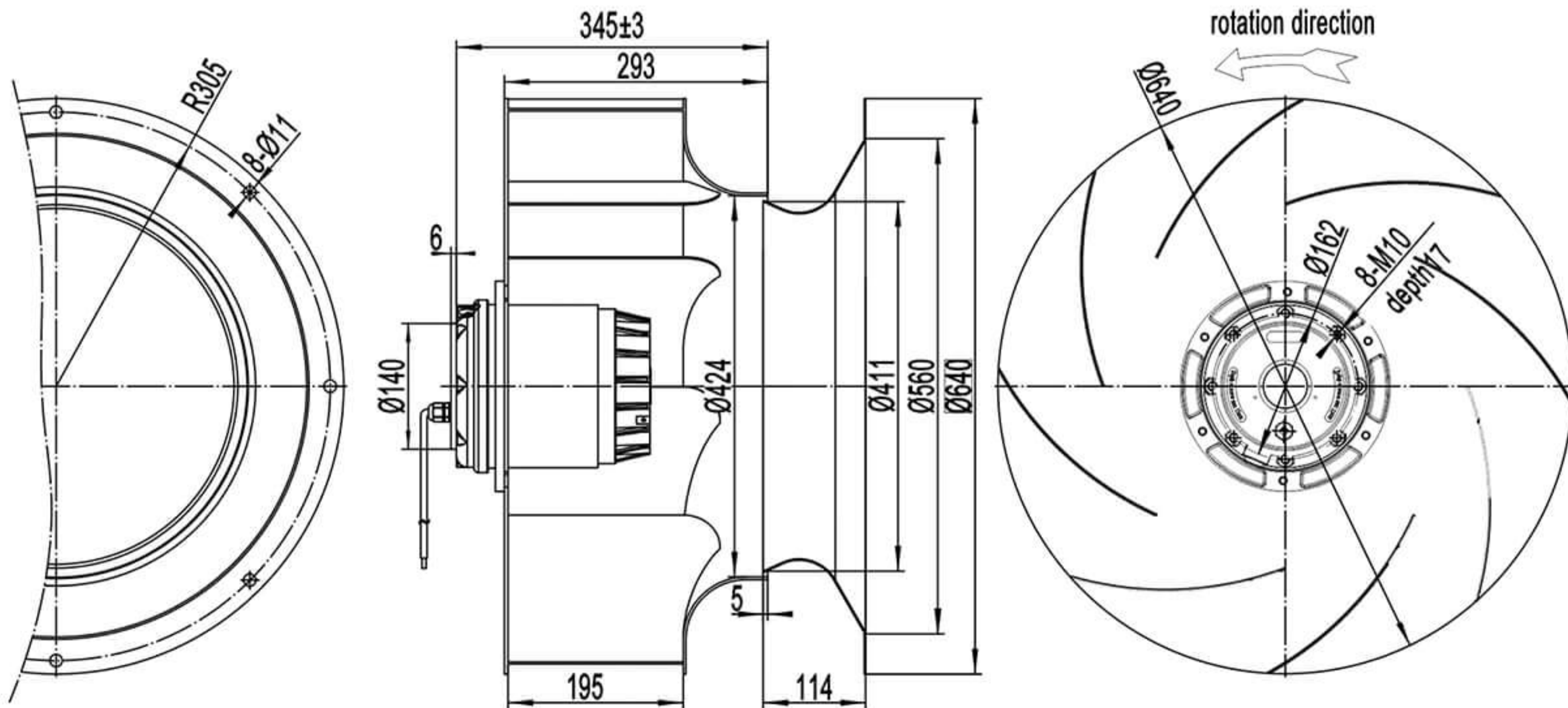
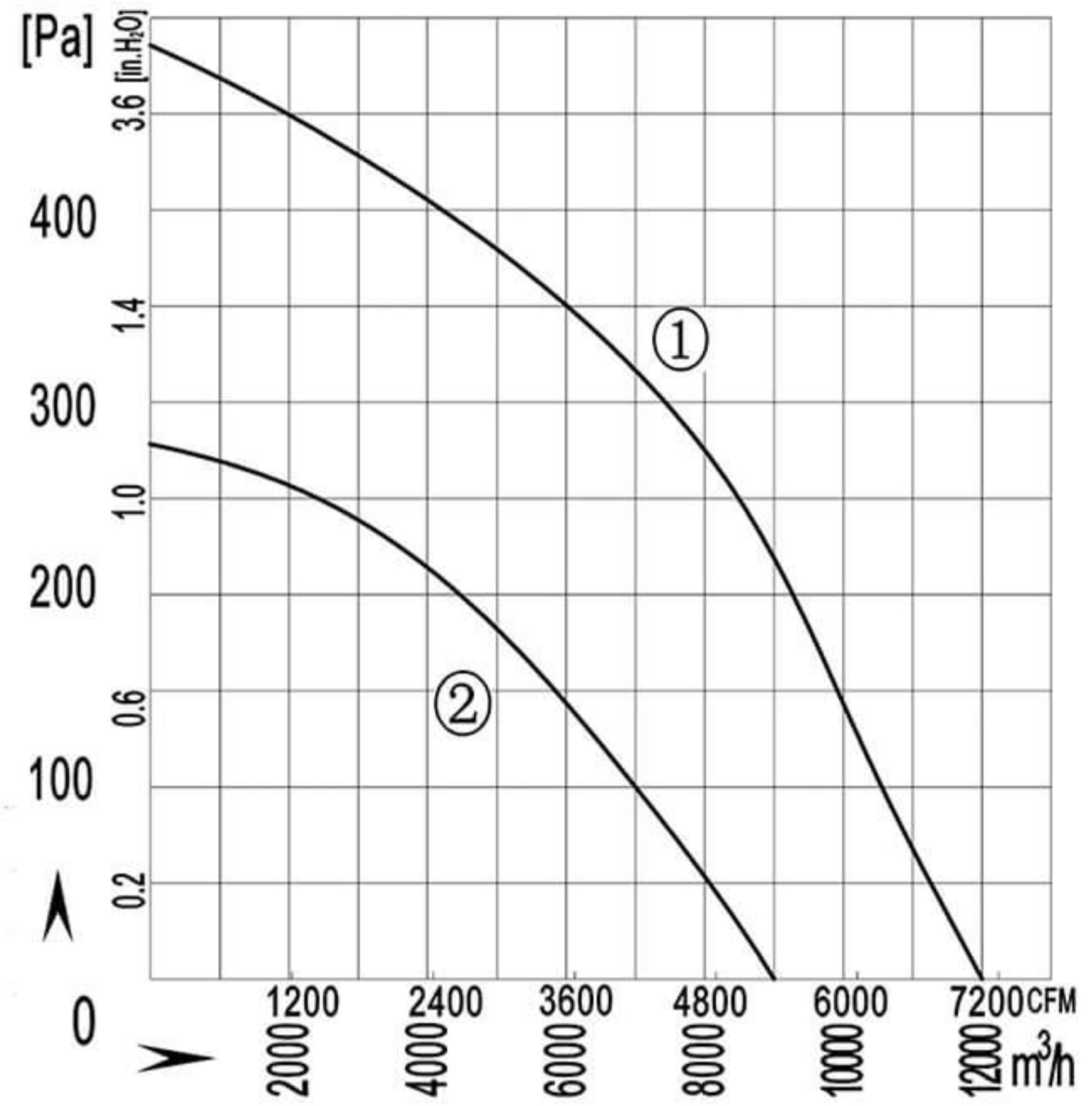


	Voltage V	Frequency Hz	Current A	Input Power W	Speed rpm	Capacitor µF	Air Flow m3/h / CFM	Noise dB(A)	Temperature Min / Max(°C)	Curve No. #	Approvals
BMF 630-293A-AX00	380/400	50	3.8	1500	900	/	12000/7059	80	-30 / +60	①	CCC ,CE,RoHS
BMF 630-293A-AW00	380/400	50	1.7	700	700	/	9000/5294	72	-30 / +60	②	

# 630-293 Backward Centrifugal Fan

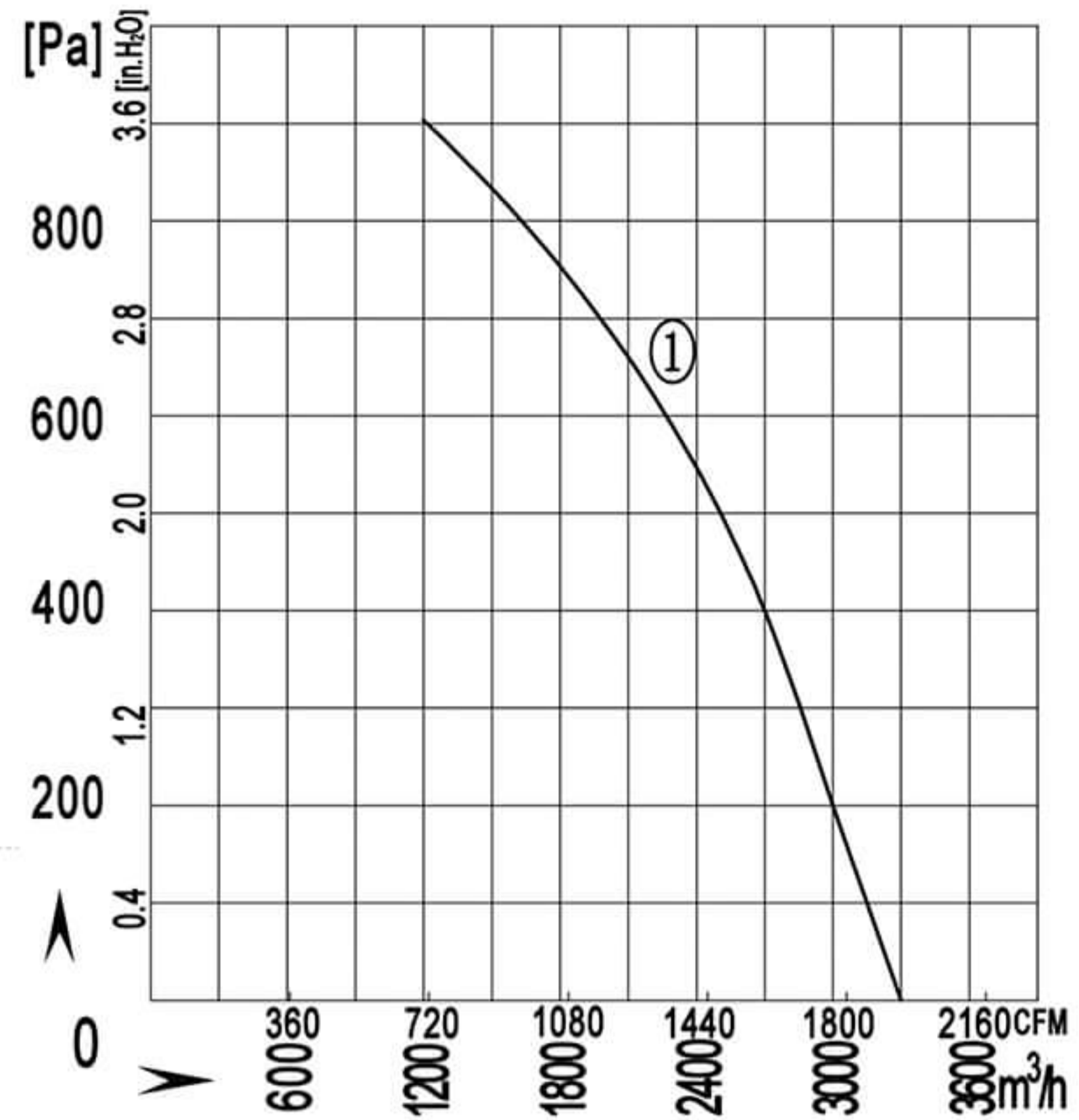
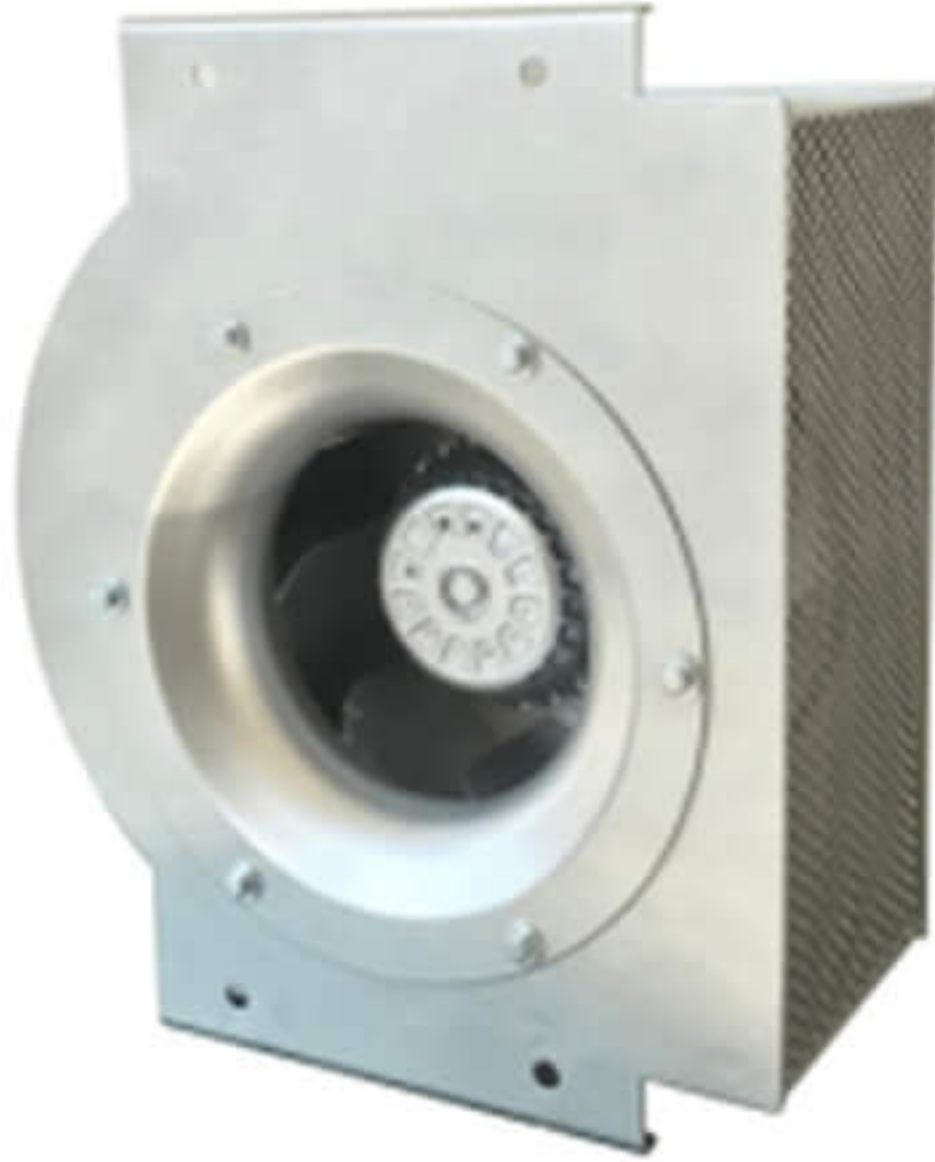


material: Sheet aluminium  
 Protection Class: IP54  
 Approvals: CCC CE  
 Insulation class: F

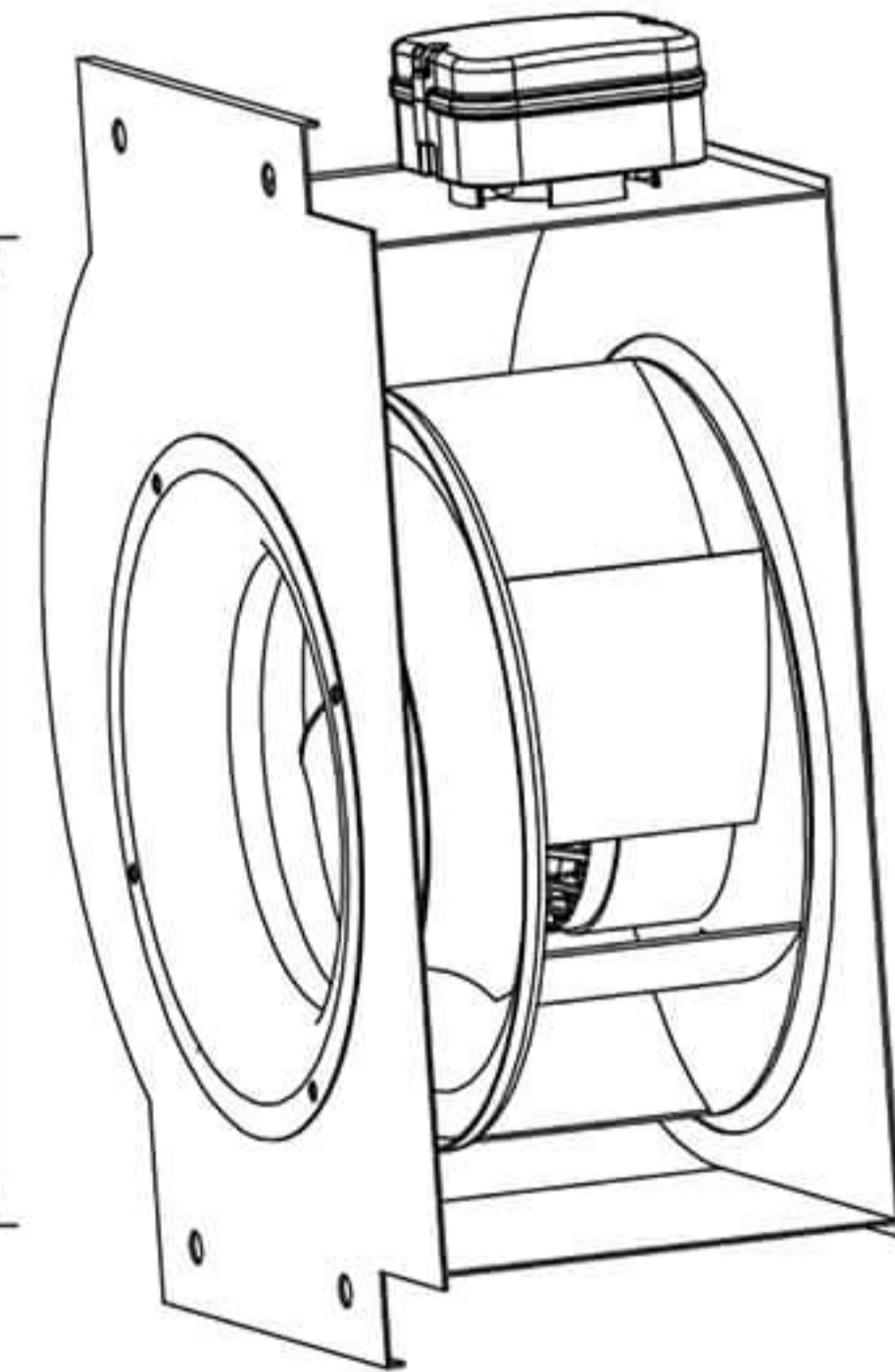
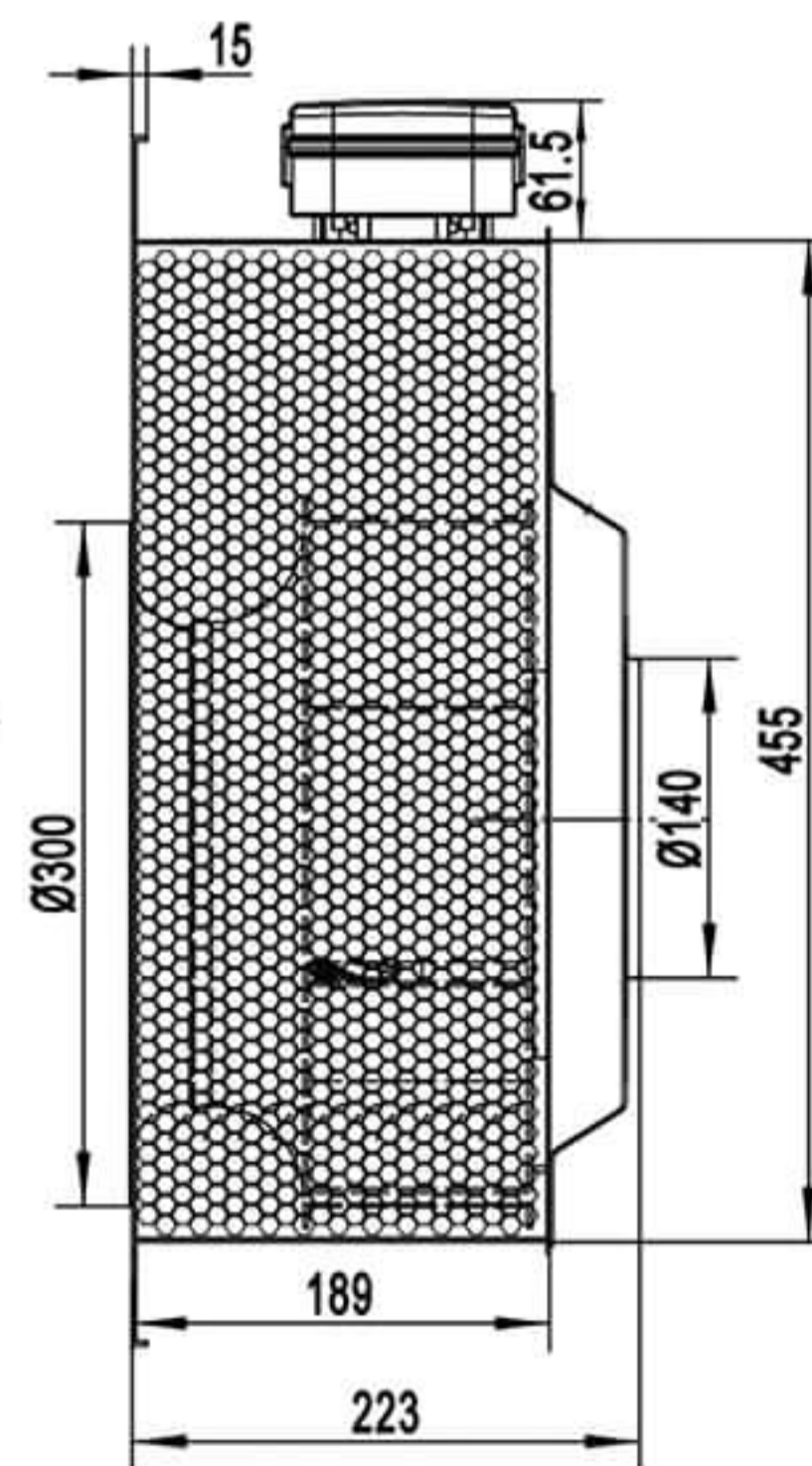
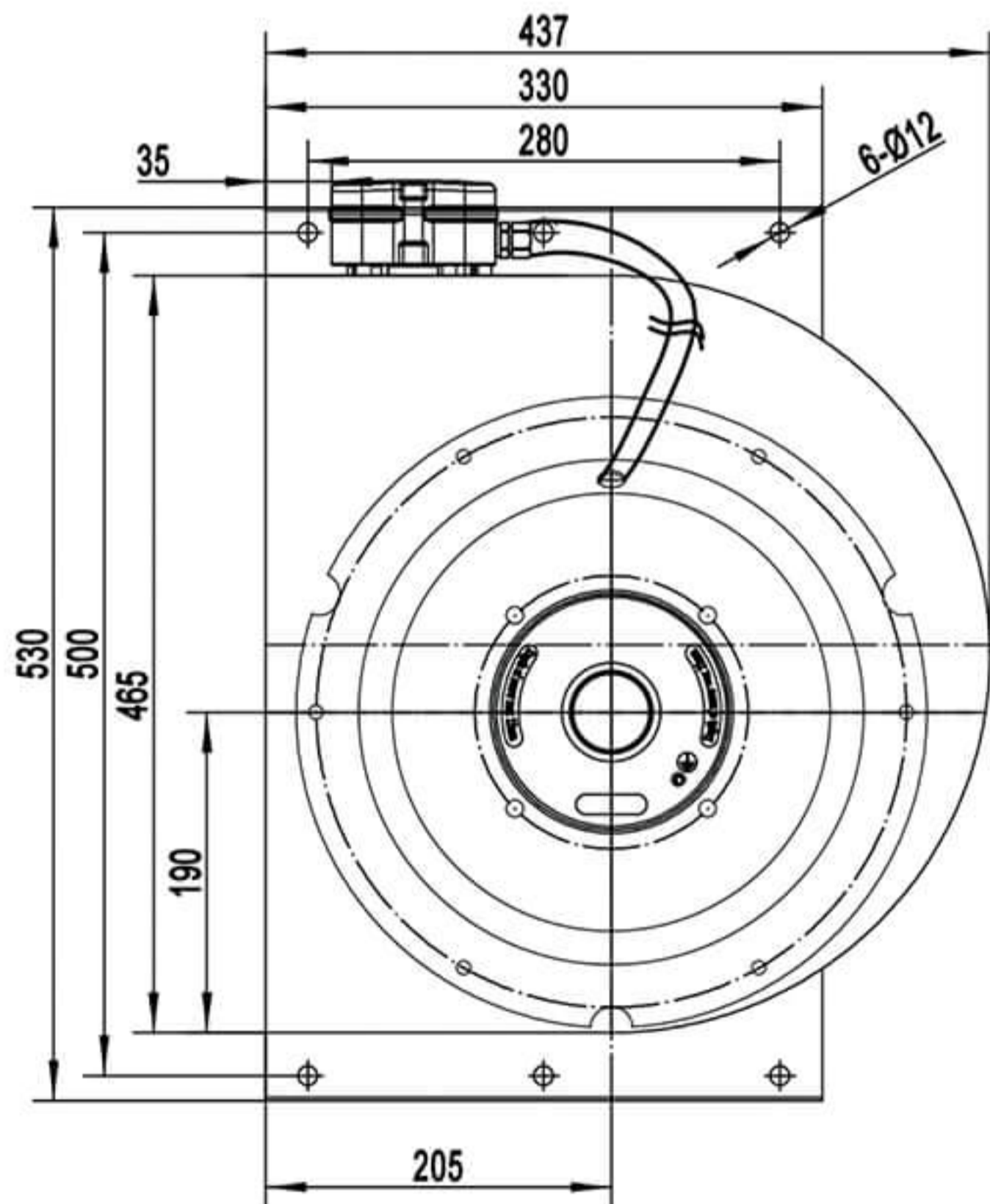


	Voltage V	Frequency Hz	Current A	Input Power W	Speed rpm	Capacitor µF	Air Flow m³/h / CFM	Noise dB(A)	Temperature Min / Max(°C)	Curve No. #	Approvals
BMF630-293A-AX00	380/400	50	3.8	1500	900	/	12000/7059	80	-30 / +60	①	CCC ,CE,RoHS
BMF630-293A-AW00	380/400	50	1.7	700	700	/	9000/5294	72	-30 / +60	②	

# 315-146W-V Backward Centrifugal Fan

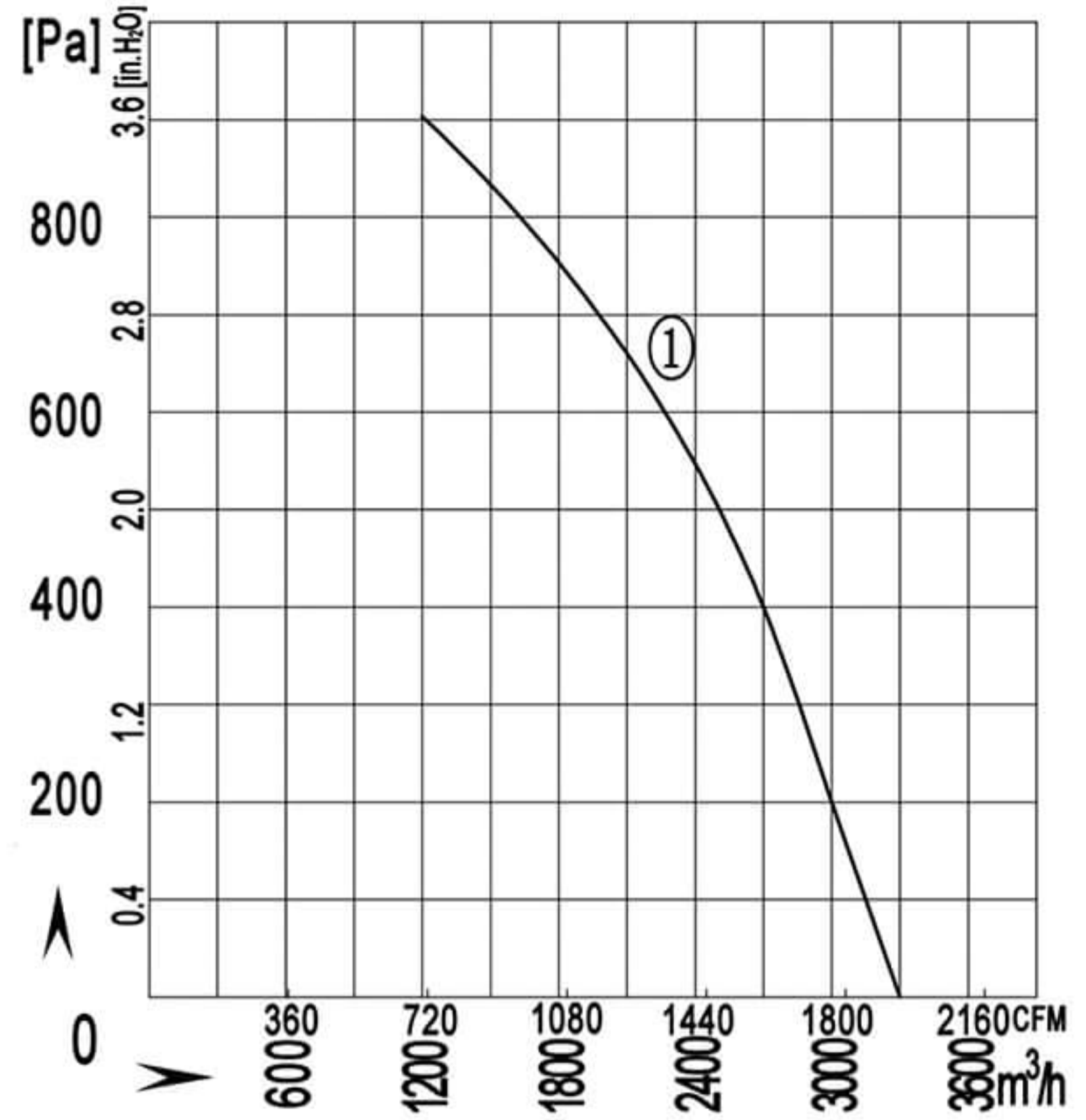
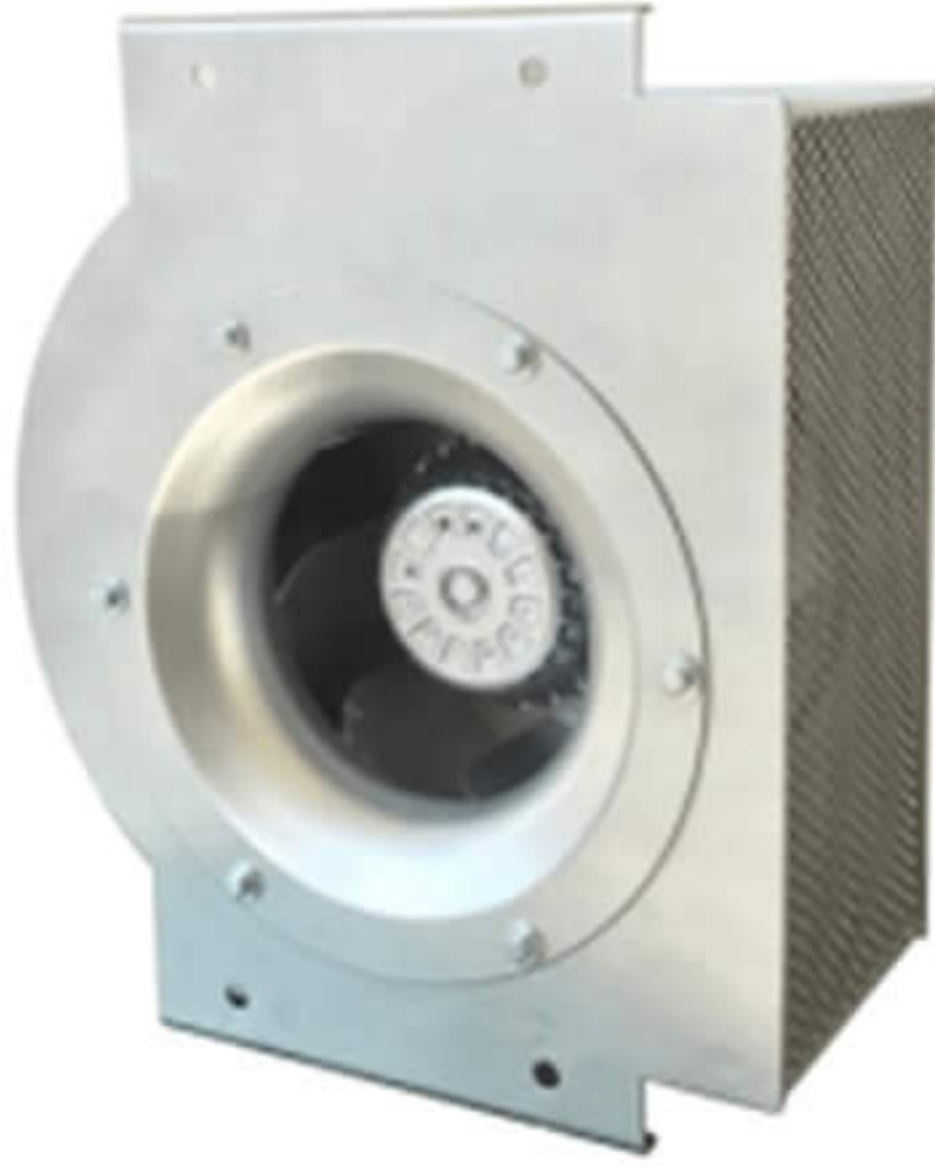


material: Sheet aluminium  
 Protection Class: IP54  
 Approvals: CCC CE  
 Insulation class: F



	Voltage V	Frequency Hz	Current A	Input Power W	Speed rpm	Capacitor µF	Air Flow m³/h / CFM	Noise dB(A)	Temperature Min / Max(°C)	Curve No. #	Approvals
BMF315-146W-AVM0	380/400	50	2.3	1100	2750	/	3300/1941	84	-30 / +60	①	CCC ,CE,RoHS

# 315-146W-V Backward Centrifugal Fan

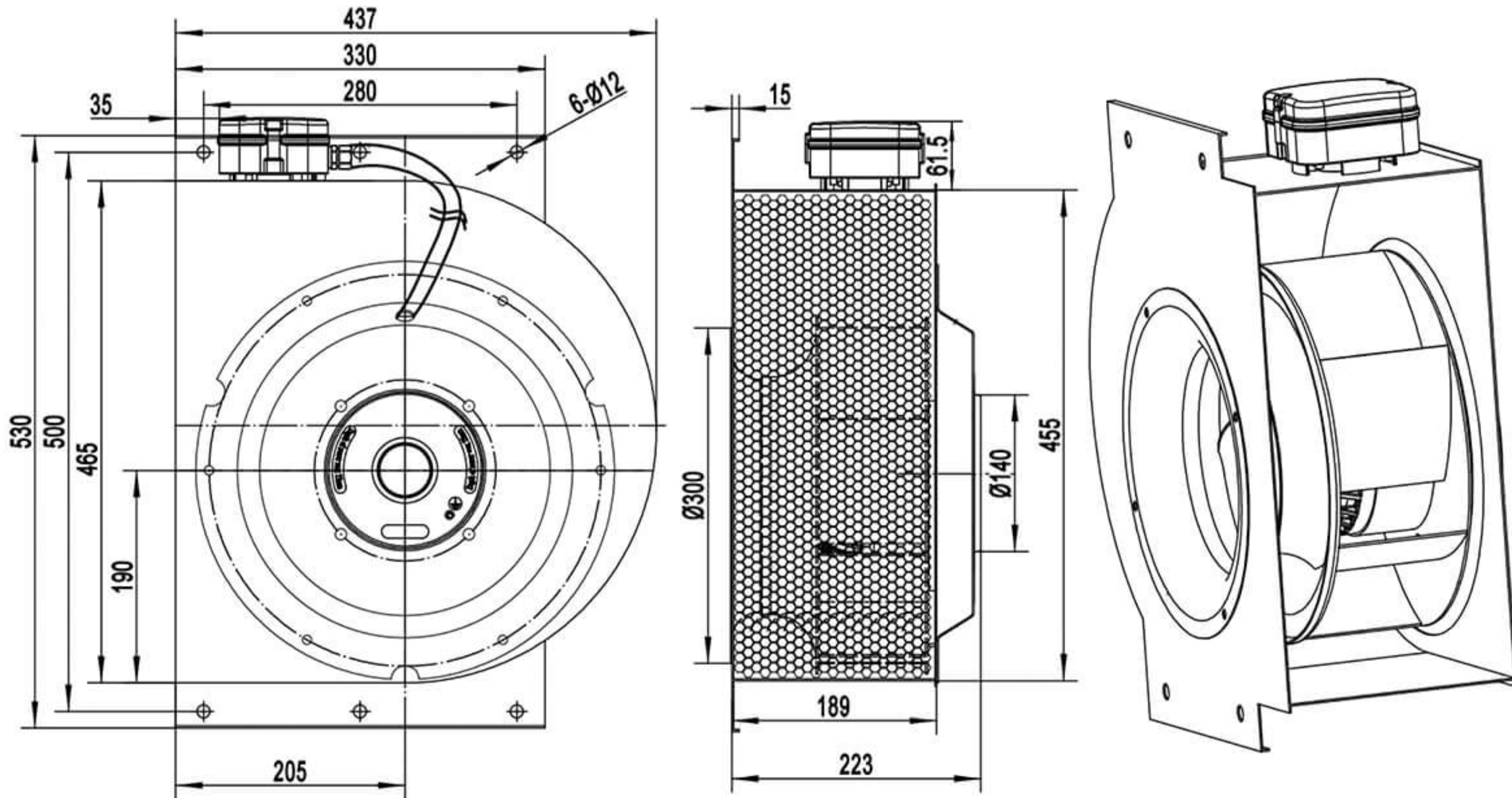


material: Sheet aluminium

Protection Class: IP54

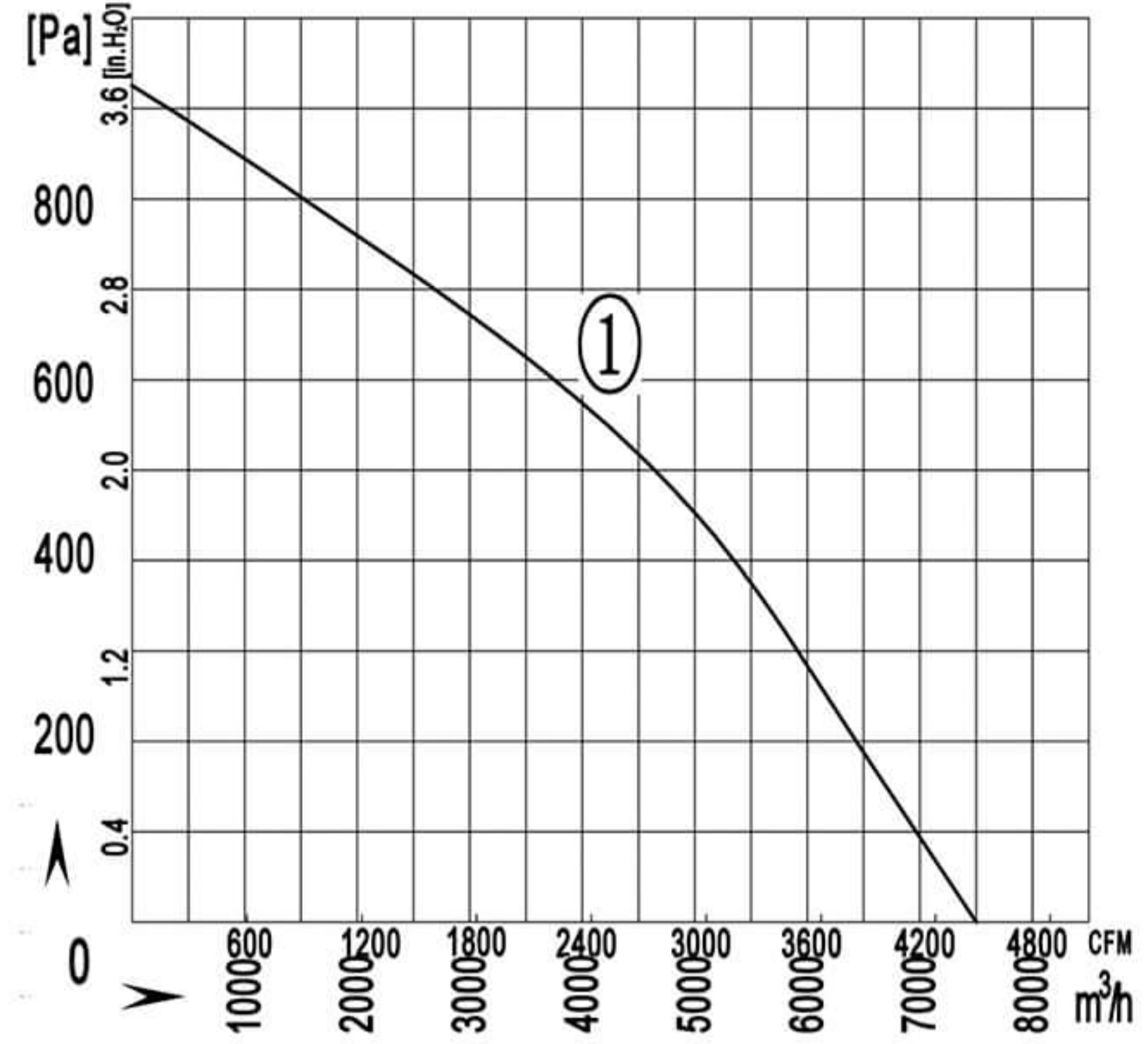
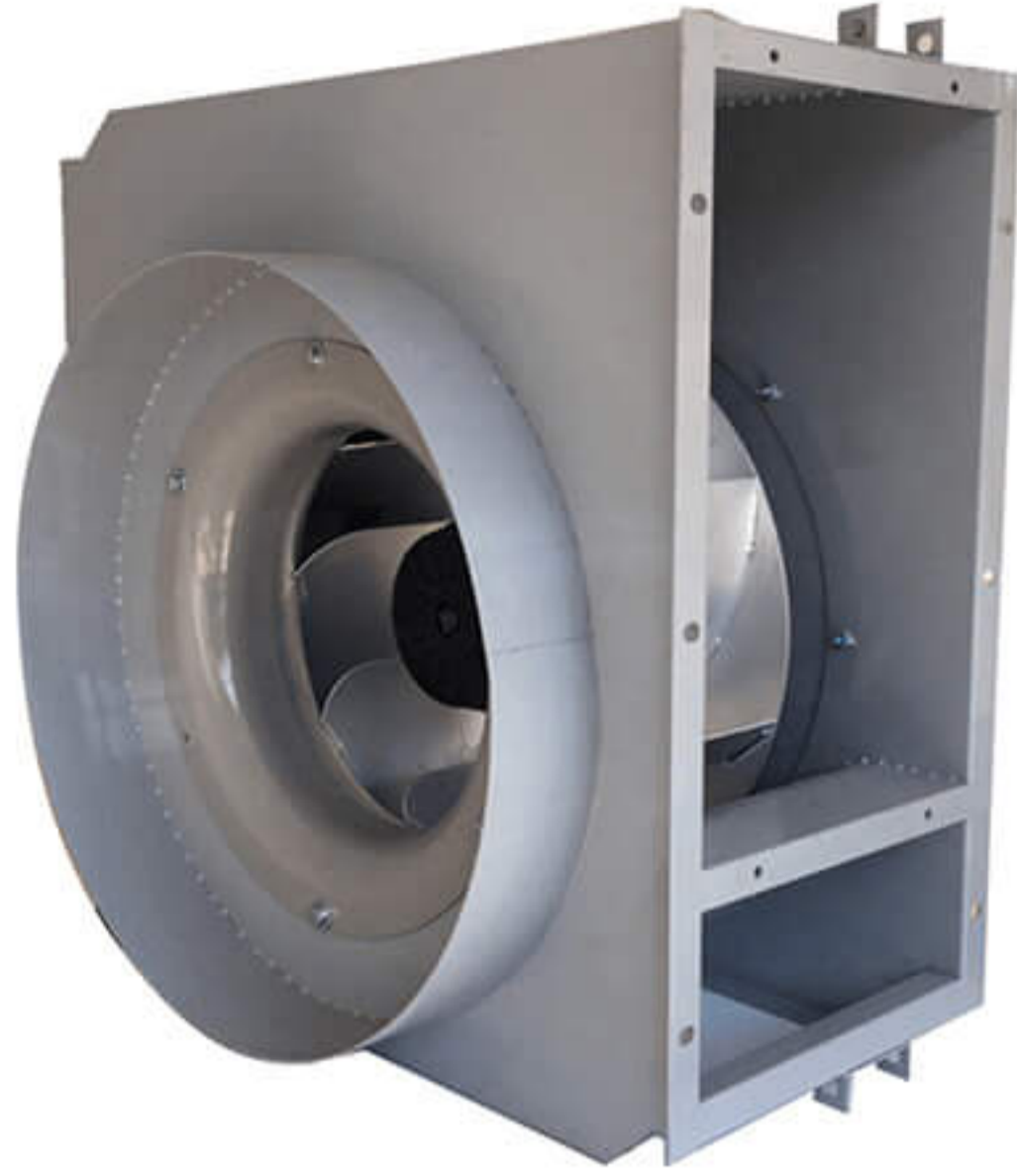
Approvals: CCC CE

Insulation class: F



	Voltage V	Frequency Hz	Current A	Input Power W	Speed rpm	Capacitor µF	Air Flow m <sup>3</sup> /h / CFM	Noise dB(A)	Temperature Min / Max(°C)	Curve No. #	Approvals
<b>BMF315-146W-AVM0</b>	380/400	50	2.3	1100	2750	/	3300/1941	84	-30 / +60	①	CCC ,CE,RoHS

# 500-202W Backward Centrifugal Fan

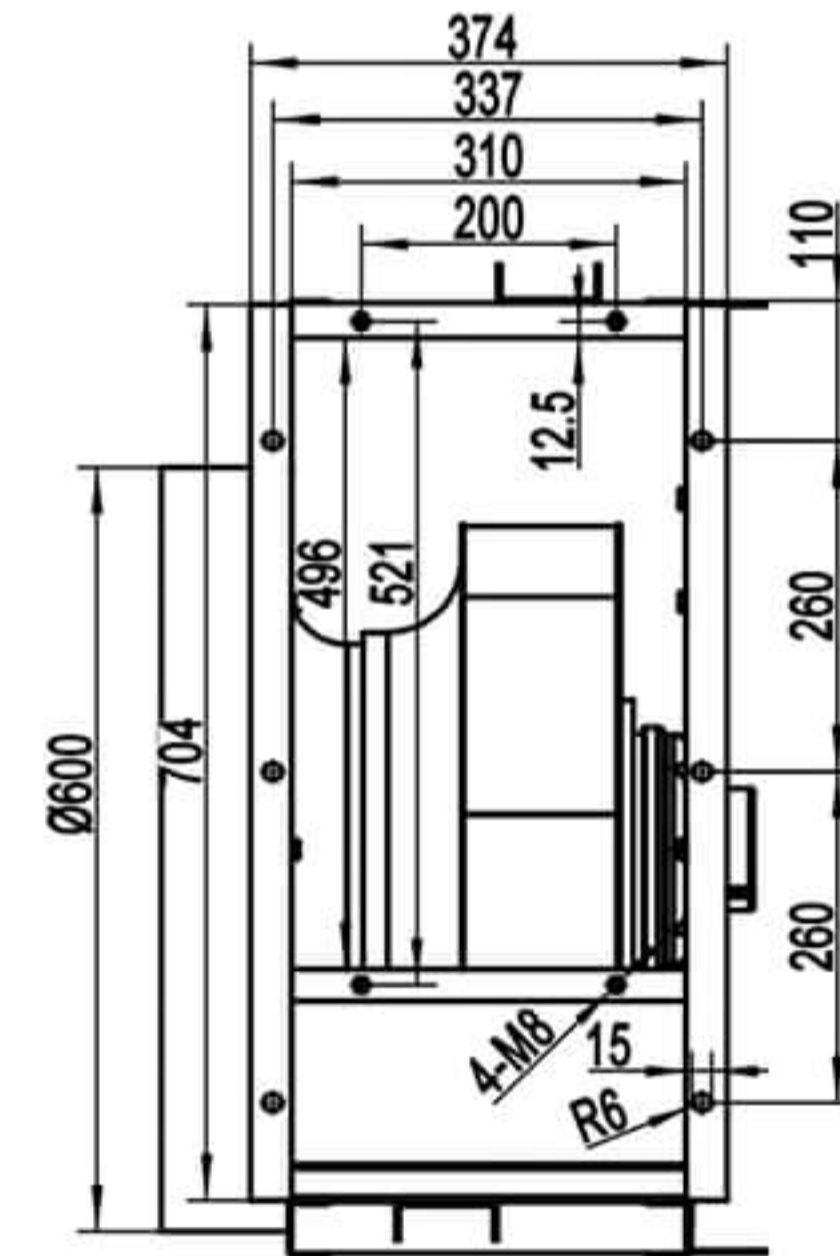
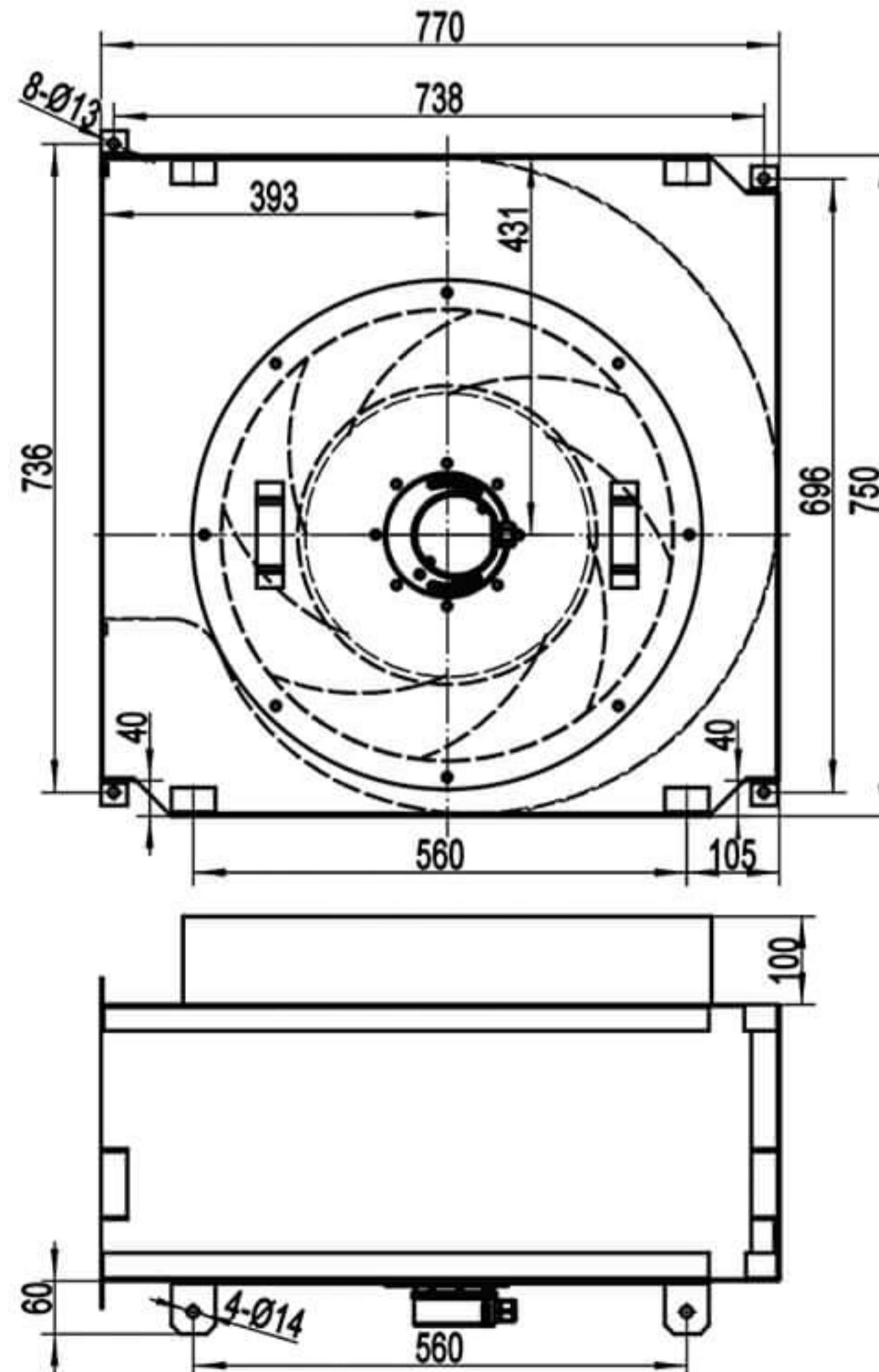


material: Sheet aluminium

Protection Class: IP54

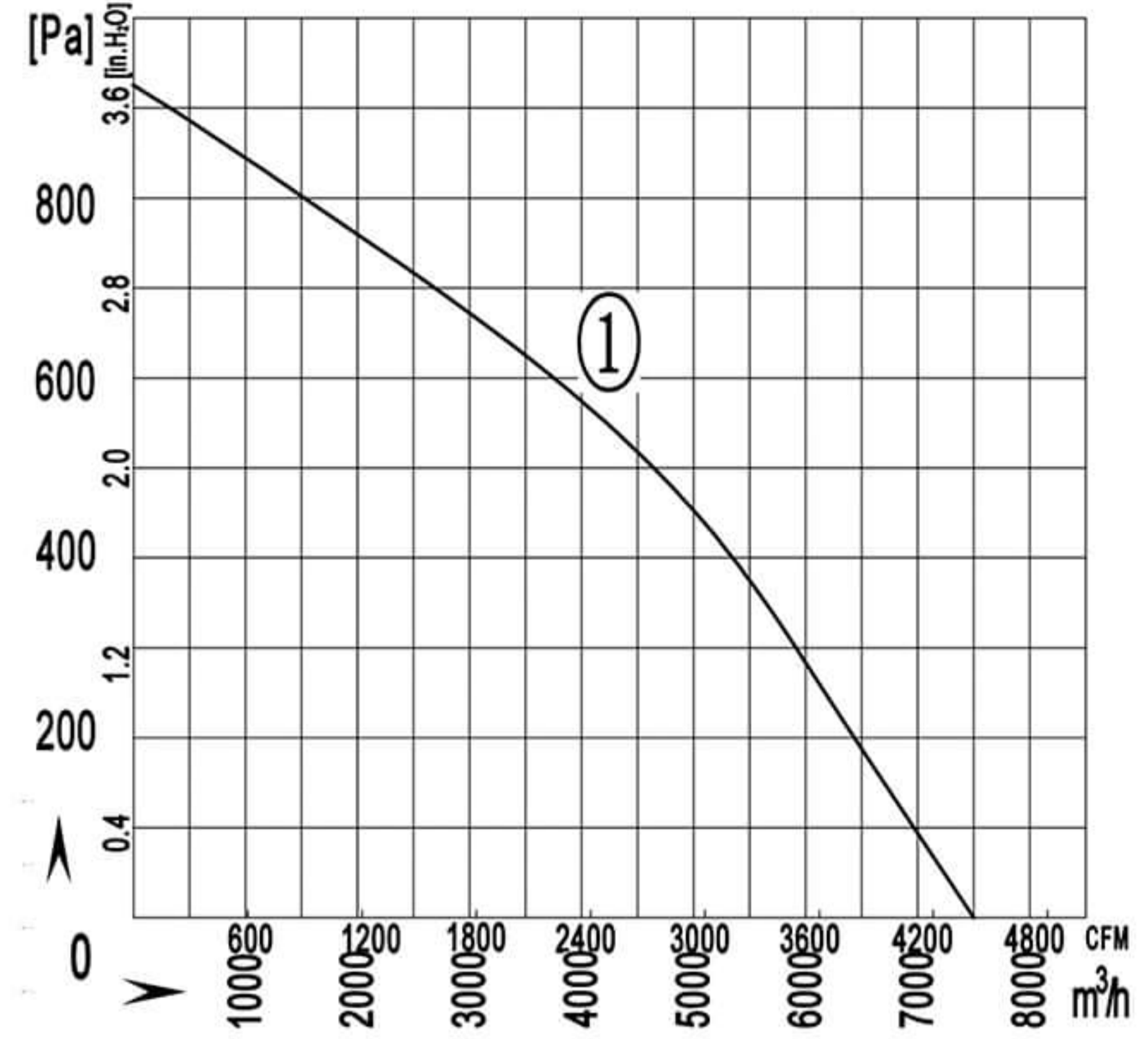
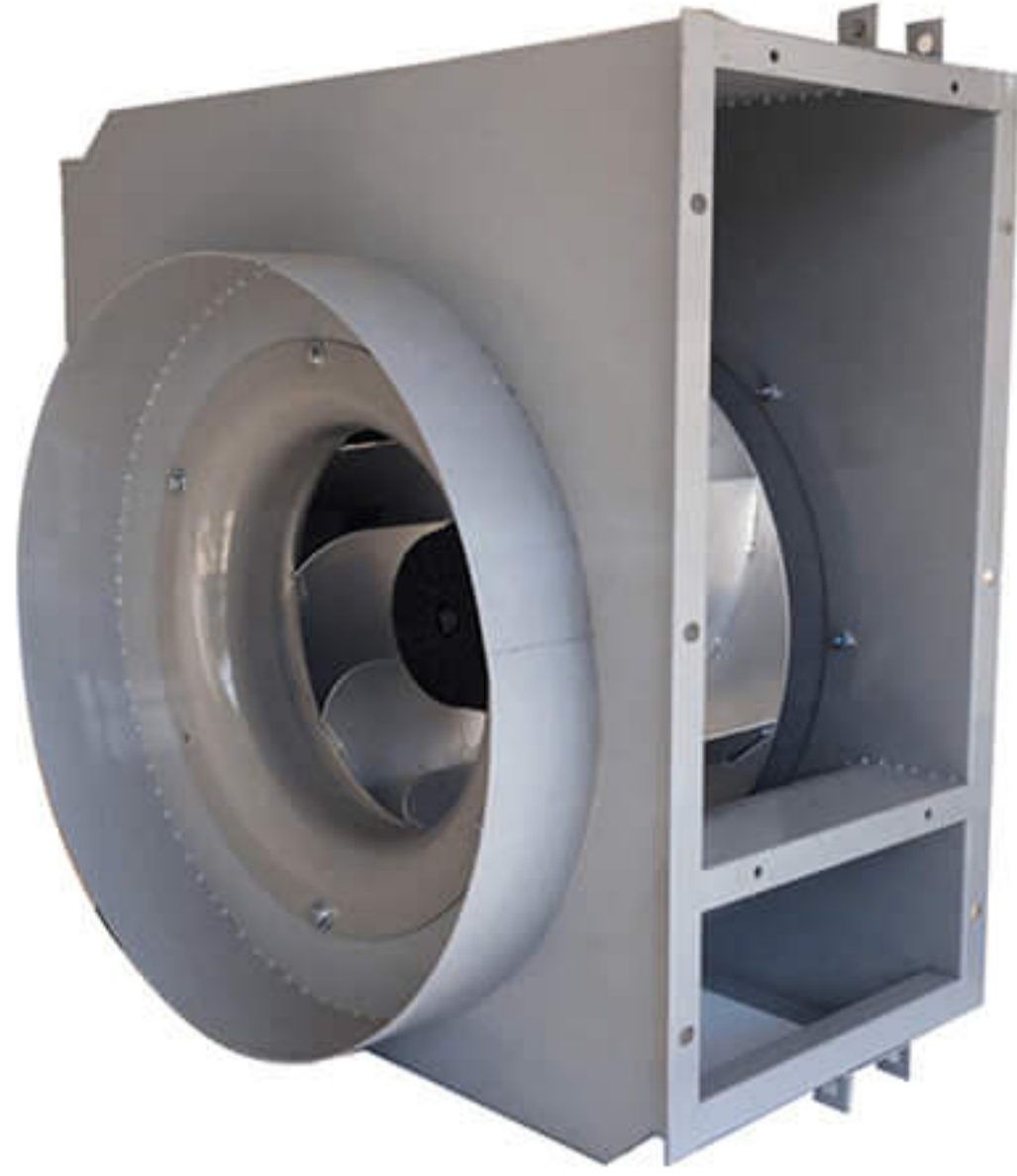
Approvals: CCC CE

Insulation class: F



	Voltage V	Frequency Hz	Current A	Input Power W	Speed rpm	Capacitor µF	Air Flow m3/h / CFM	Noise dB(A)	Temperature Min / Max(°C)	Curve No. #	Approvals
BMF500-202W-AWAB	380/400	50	2.9	1250	1350	/	7500/4410	76	-30 / +60	①	CCC ,CE,RoHS

# 500-202W Backward Centrifugal Fan

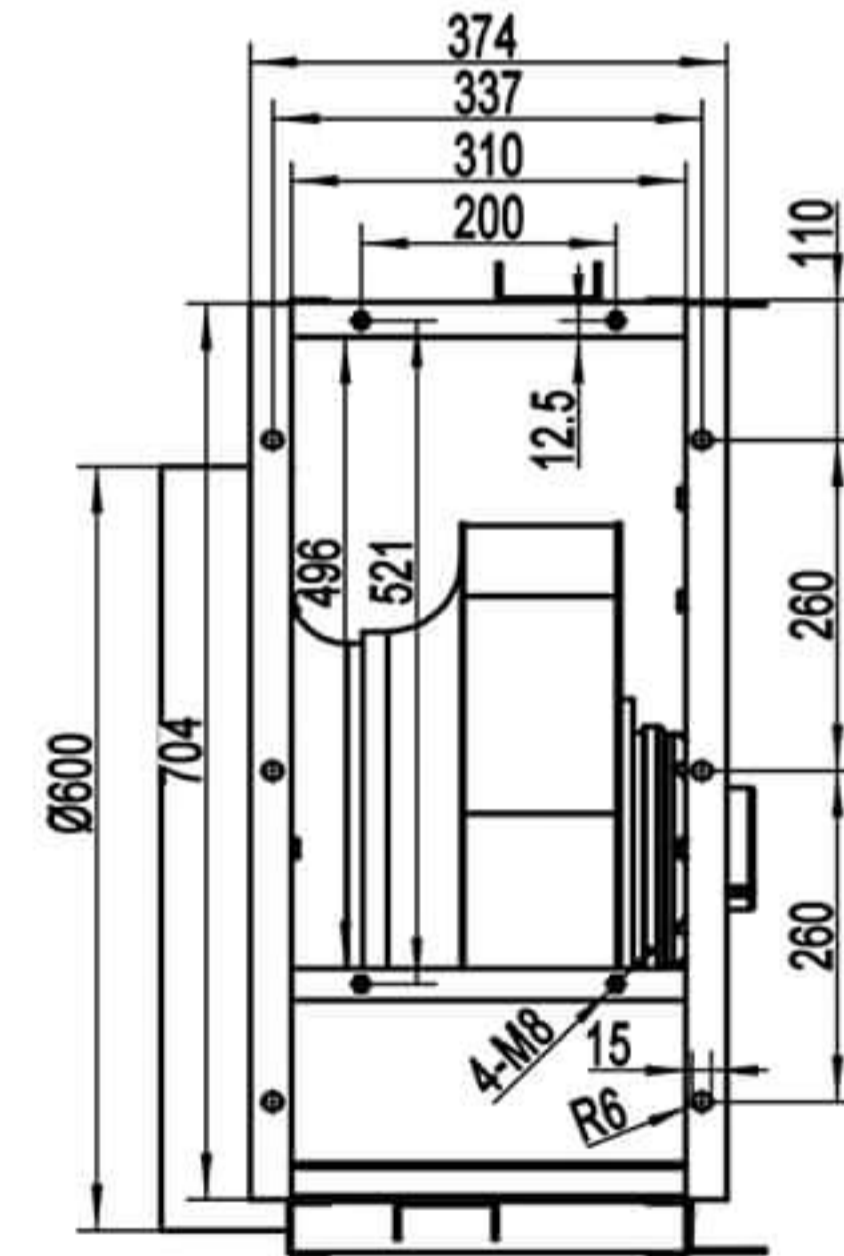
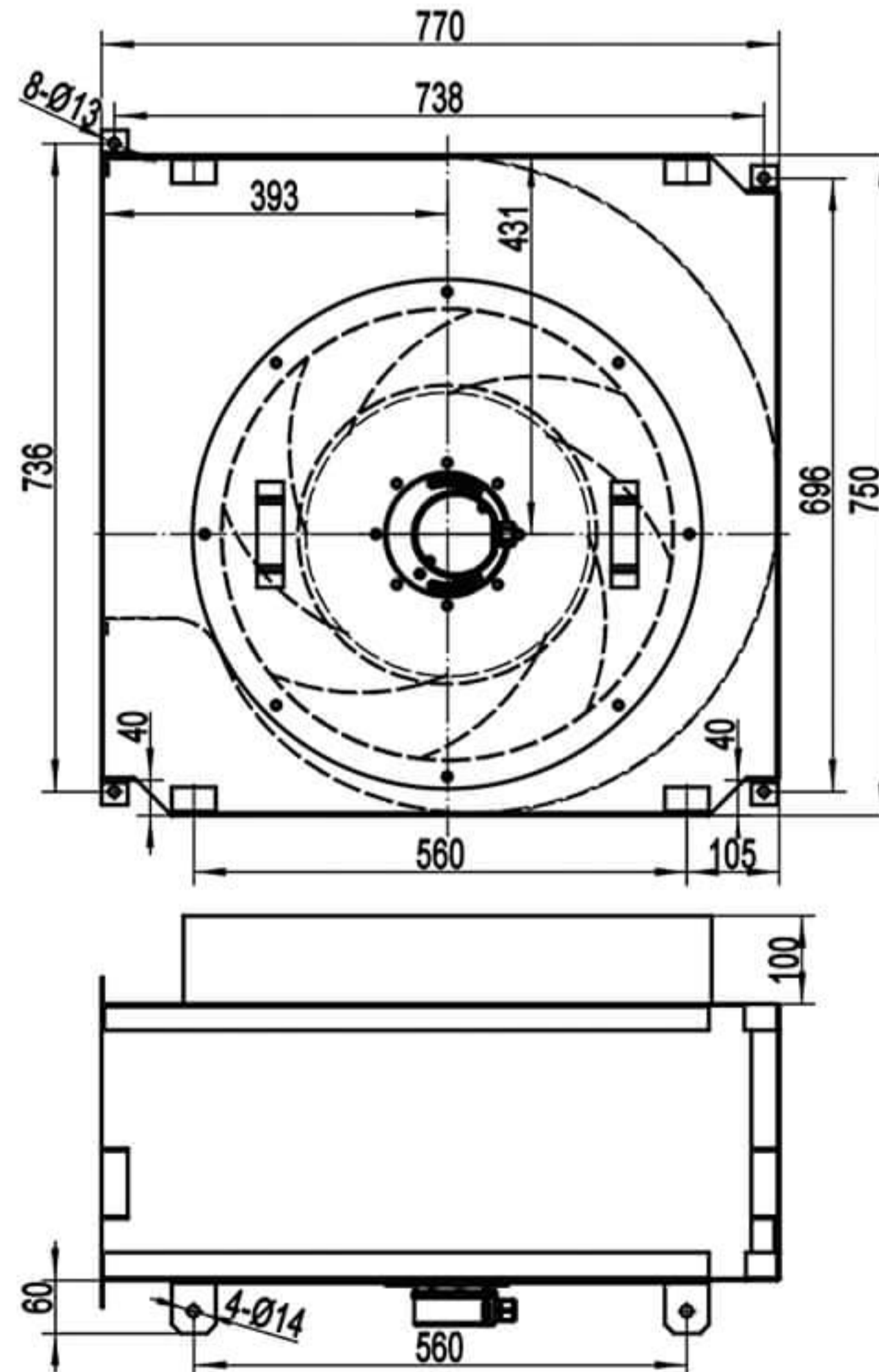


material: Sheet aluminium

Protection Class: IP54

Approvals: CCC CE

Insulation class: F



	Voltage V	Frequency Hz	Current A	Input Power W	Speed rpm	Capacitor µF	Air Flow m <sup>3</sup> /h / CFM	Noise dB(A)	Temperature Min / Max(°C)	Curve No. #	Approvals
BMF500-202W-AWAB	380/400	50	2.9	1250	1350	/	7500/4410	76	-30 / +60	①	CCC ,CE,RoHS