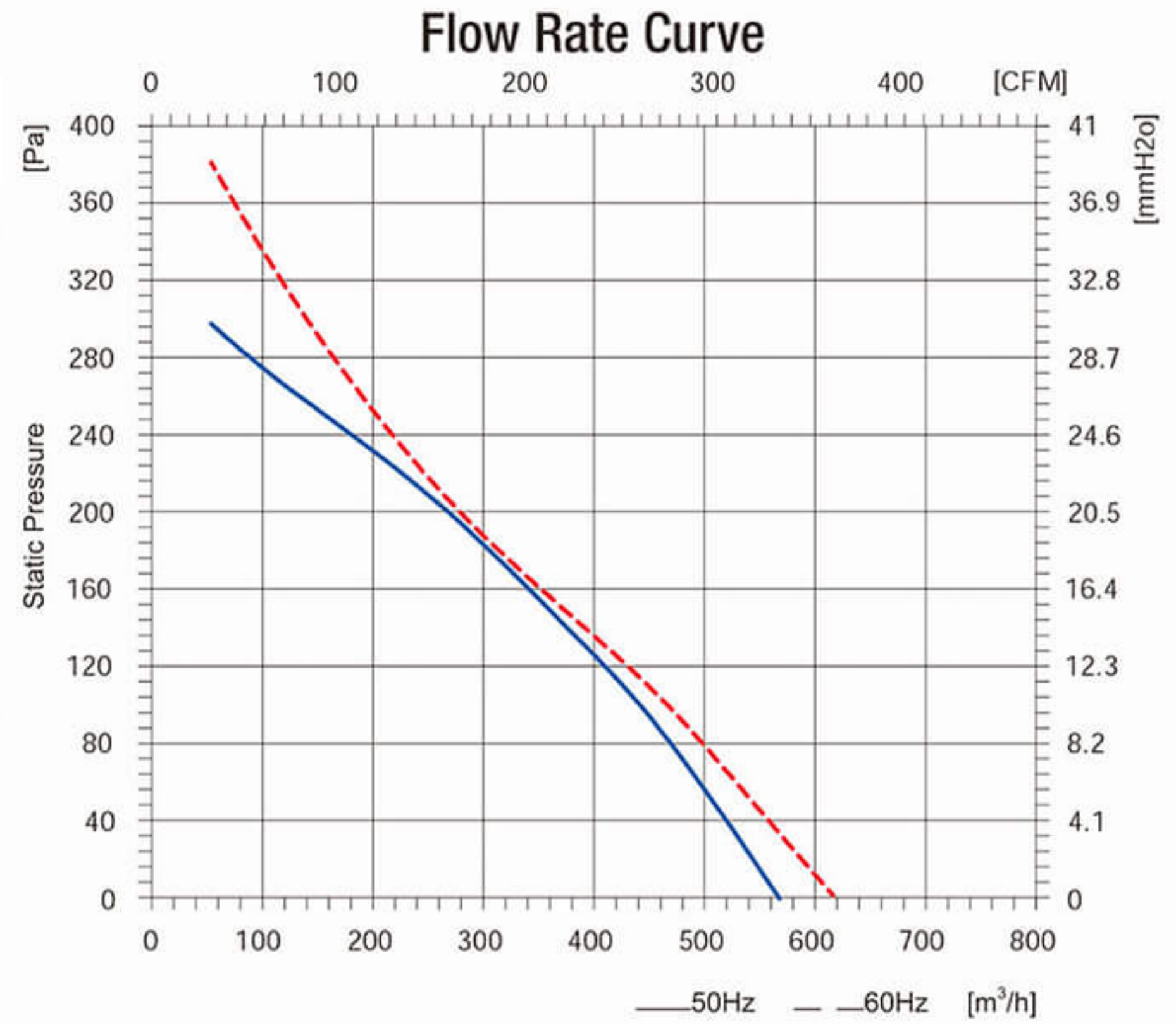
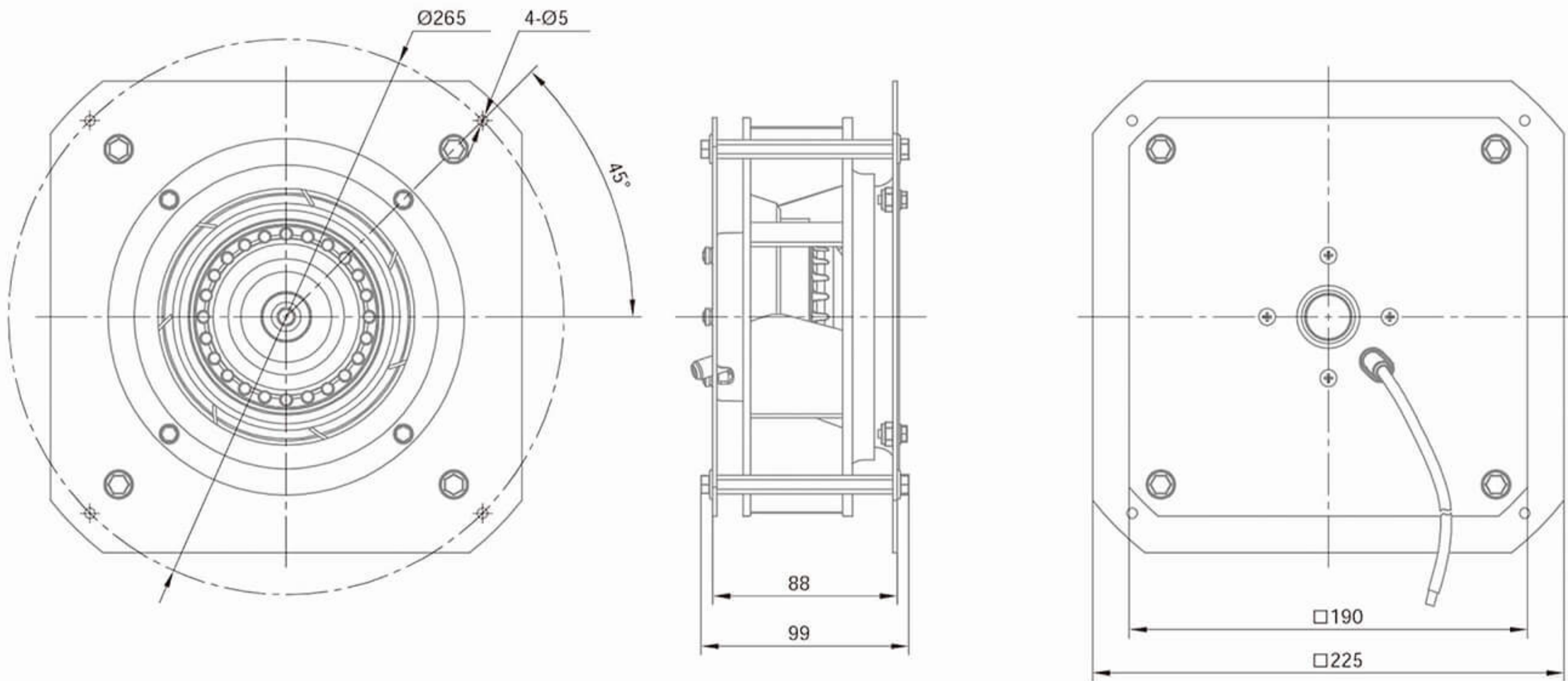


# AC Centrifugal Plug Fans $\Phi 192$



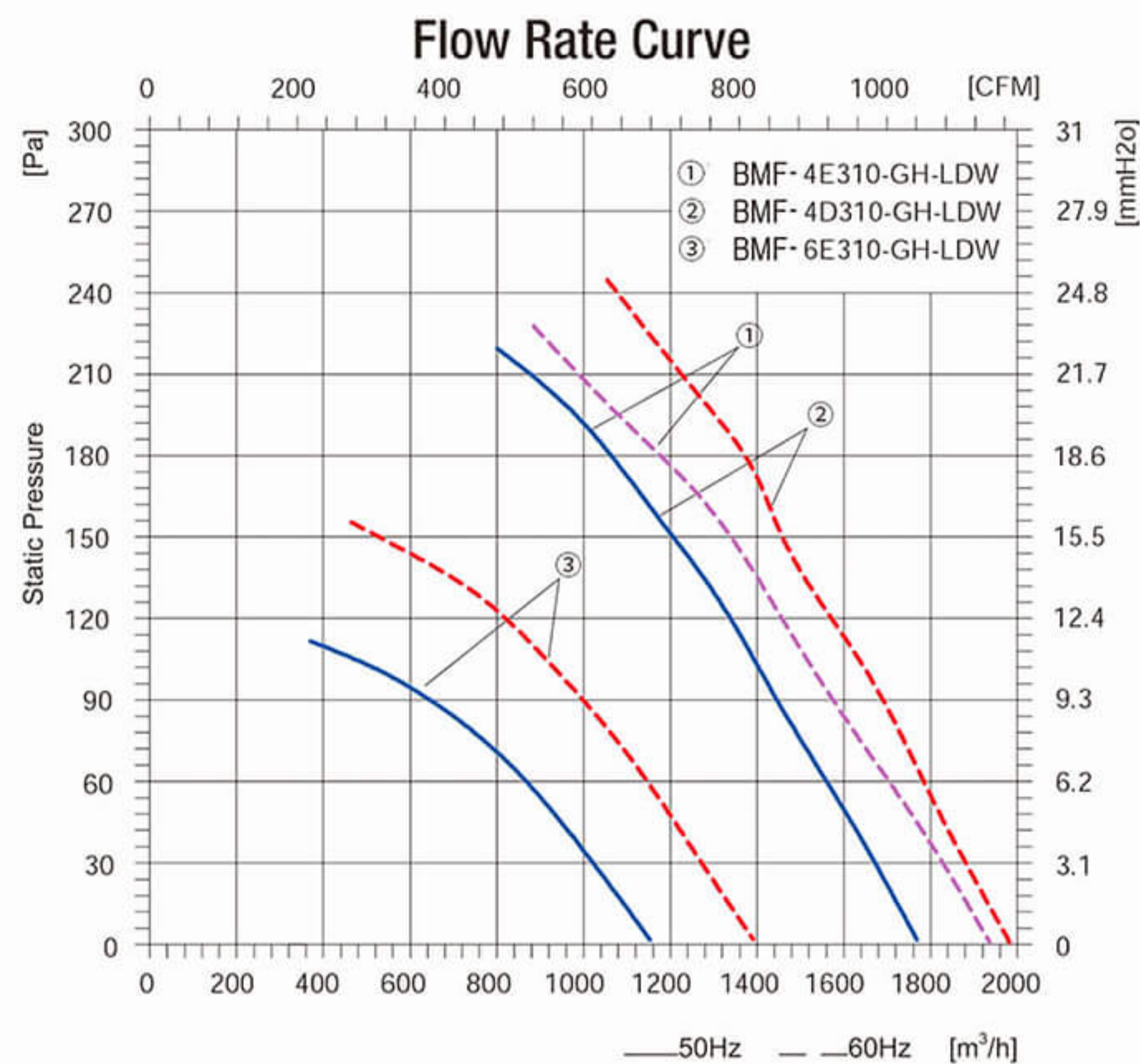
## Product Characteristic

- Motor technology: AC Outer rotor
- Mode of Operation: S1
- Protection Class: IP54
- Insulation Class: F
- Bearings: Maintenance-free ball bearings
- Impeller Type: Backward curved
- Impeller Material: Plastic
- Rotation: C.C.W, seen on the leads



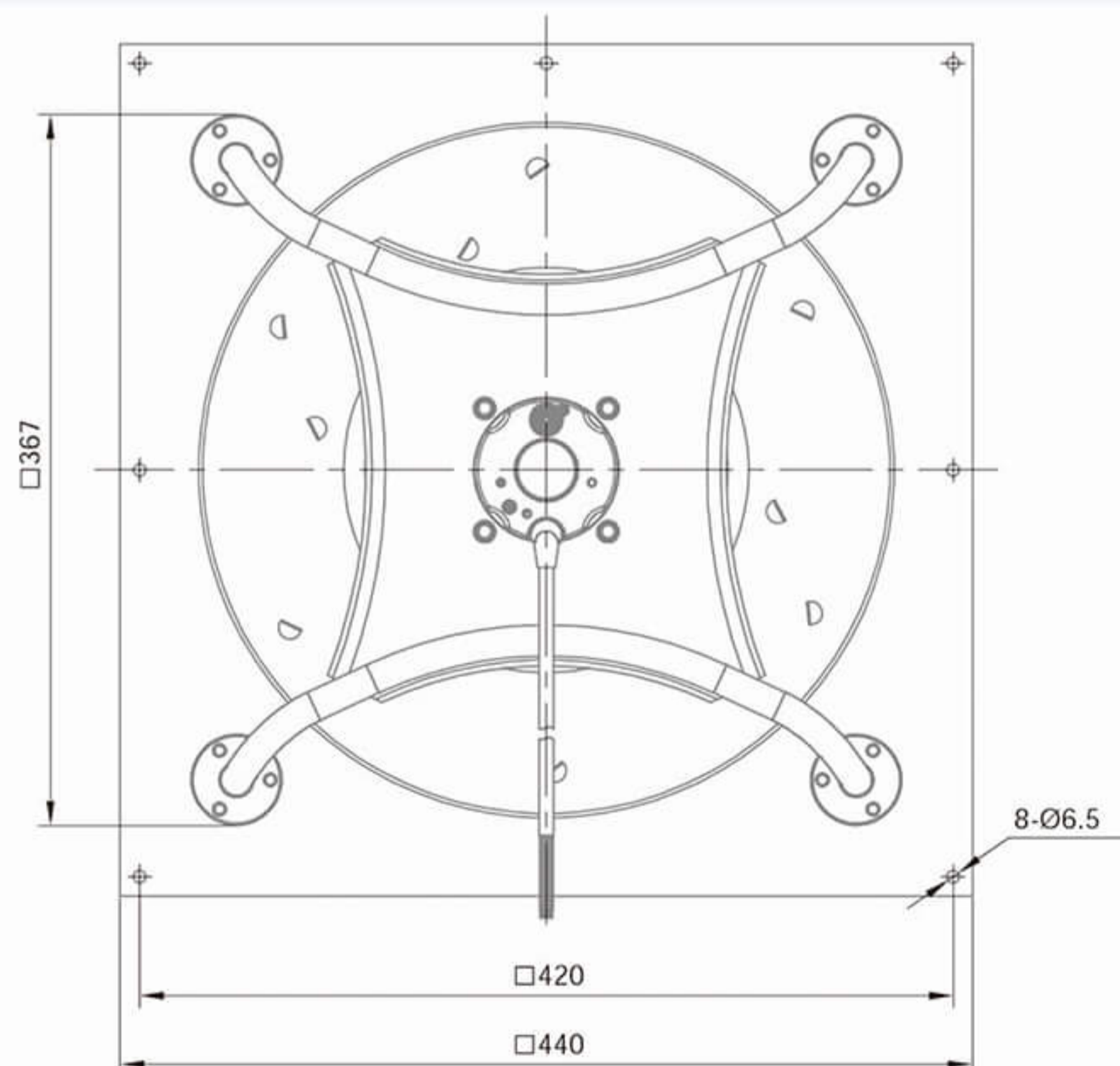
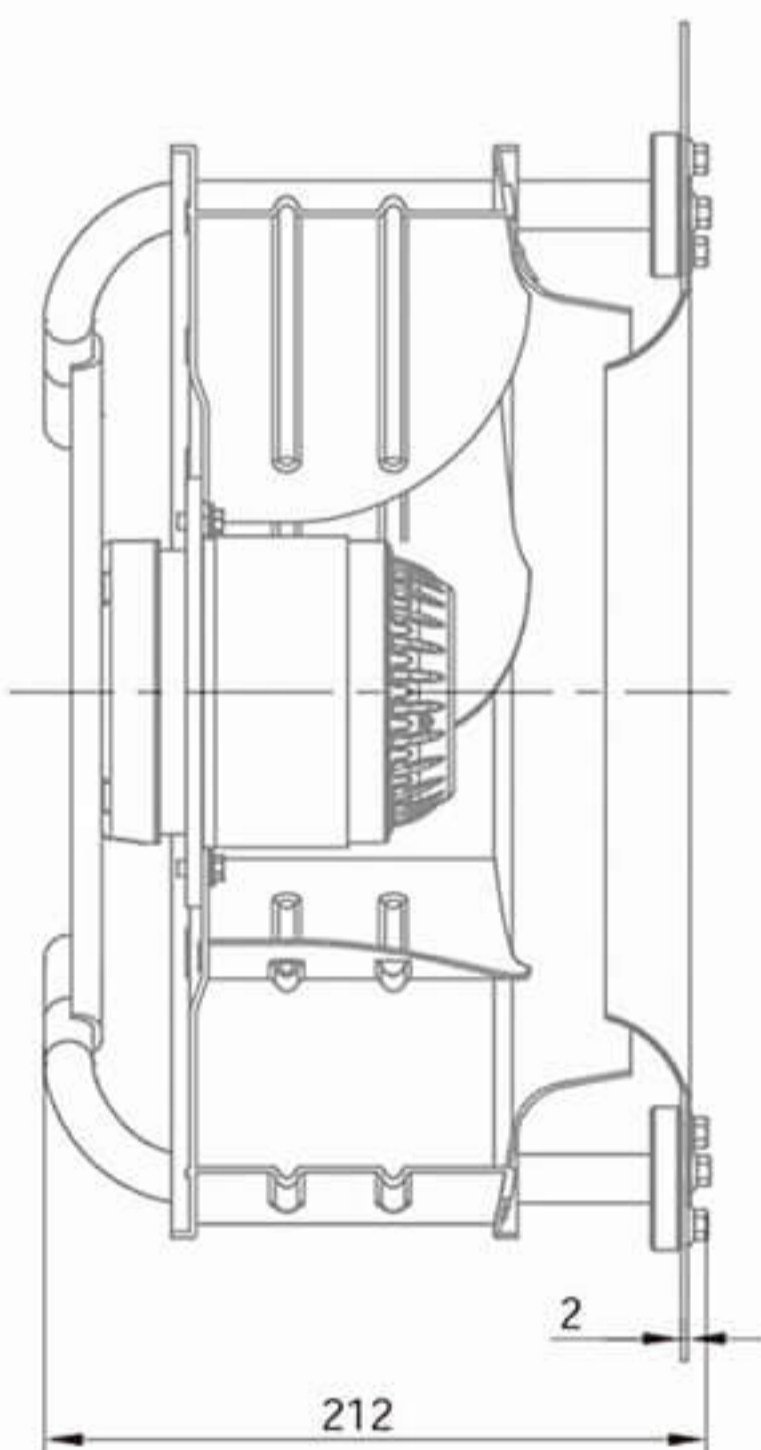
Model	Voltage (V)	Frequency (Hz)	Input Power (W)	Current (A)	Air Volume (m³/h)	Speed (r/min)	Capacitor (µF)	Noise [dB(A)]	Max Environmental Temperature(°C)	Weight (Kg)
BMF-2E192-GH-LDW	230	50/60	70/90	0.3/0.4	570/620	2450/2650	2	62/64	50	2.4

# AC Centrifugal Plug Fans $\Phi 310$



## Product Characteristic

Motor technology: AC Outer rotor  
 Mode of Operation: S1  
 Protection Class: IP54  
 Insulation Class: F  
 Bearings: Maintenance-free ball bearings  
 Impeller Type: Backward curved  
 Impeller Material: Sheet aluminium  
 Rotation: C.C.W, seen on the leads

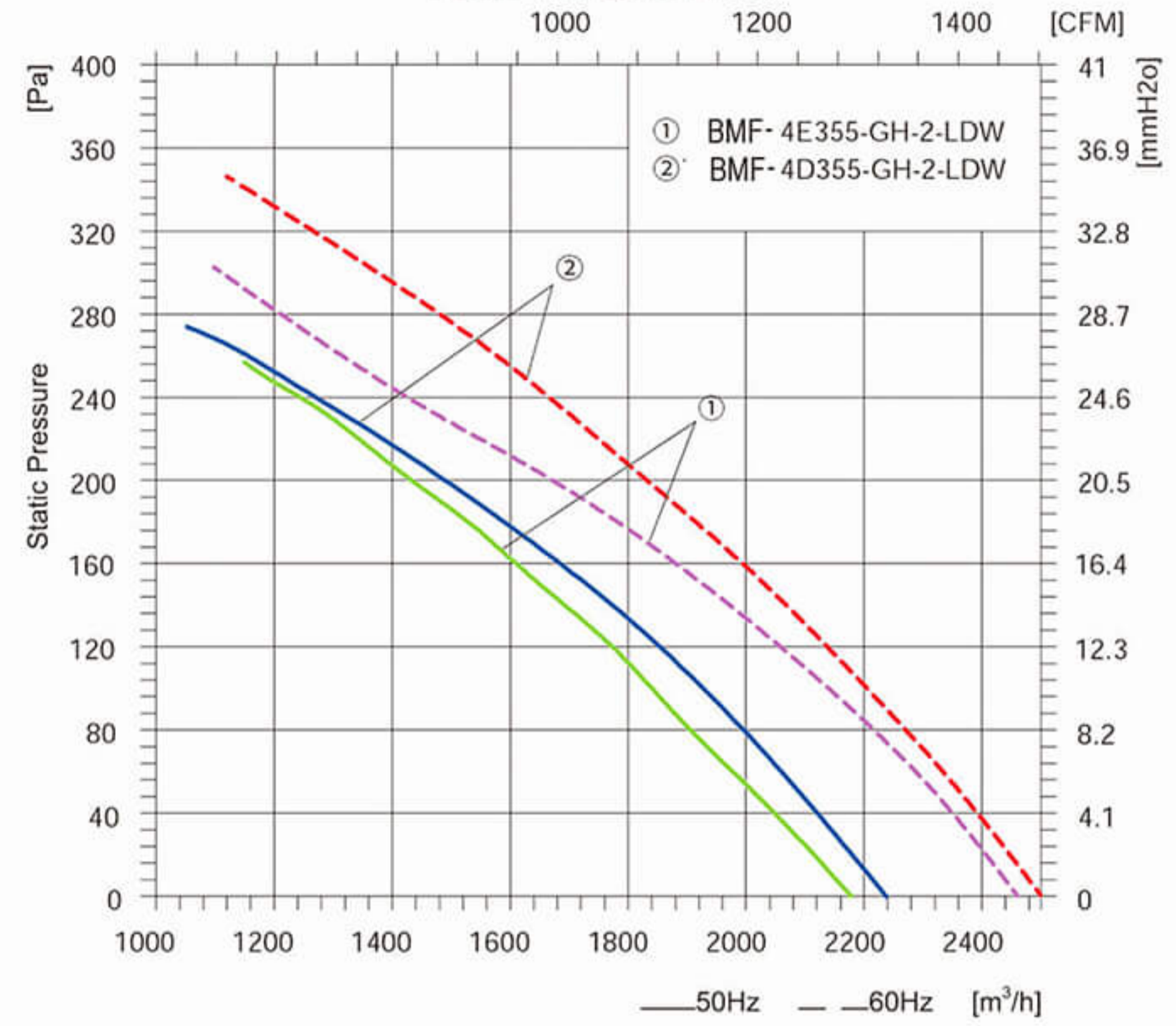


Model	Voltage (V)	Frequency (Hz)	Input Power (W)	Current (A)	Air Volume (m <sup>3</sup> /h)	Speed (r/min)	Capacitor (µF)	Noise [dB(A)]	Max Environmental Temperature(°C)	Weight (Kg)
BMF-4E310-GH-LDW	230	50/60	140/190	0.68/0.82	1650/1900	1370/1500	4	61	50	8.5
BMF-4D310-GH-LDW	400	50/60	150/185	0.39/0.35	1700/1950	1400/1560	-	62	50	8.5
BMF-6E310-GH-LDW	230	50/60	77/90	0.35/0.43	1160/1400	960/1150	3	53	60	8.5

# AC Centrifugal Plug Fans $\Phi 355$

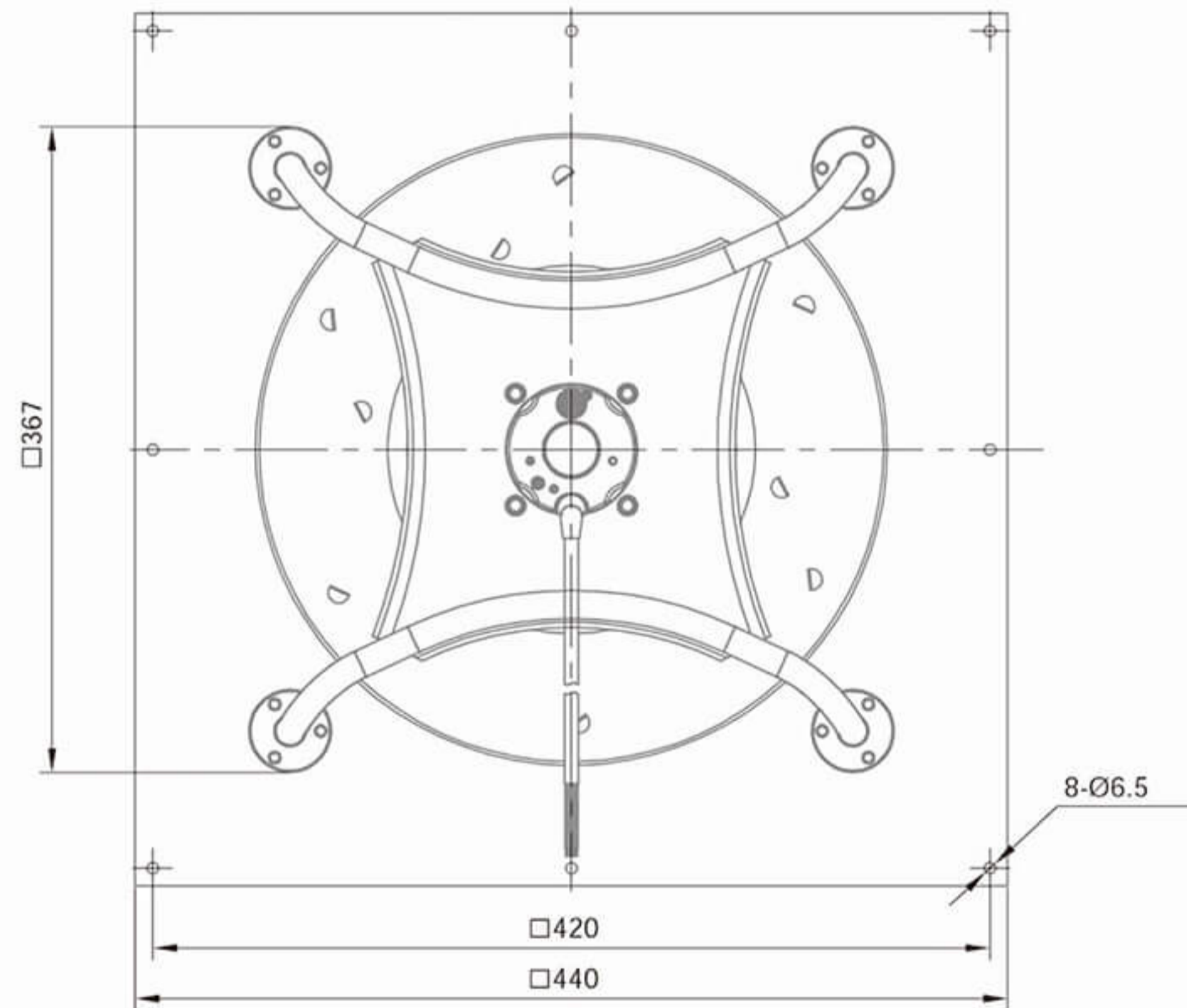
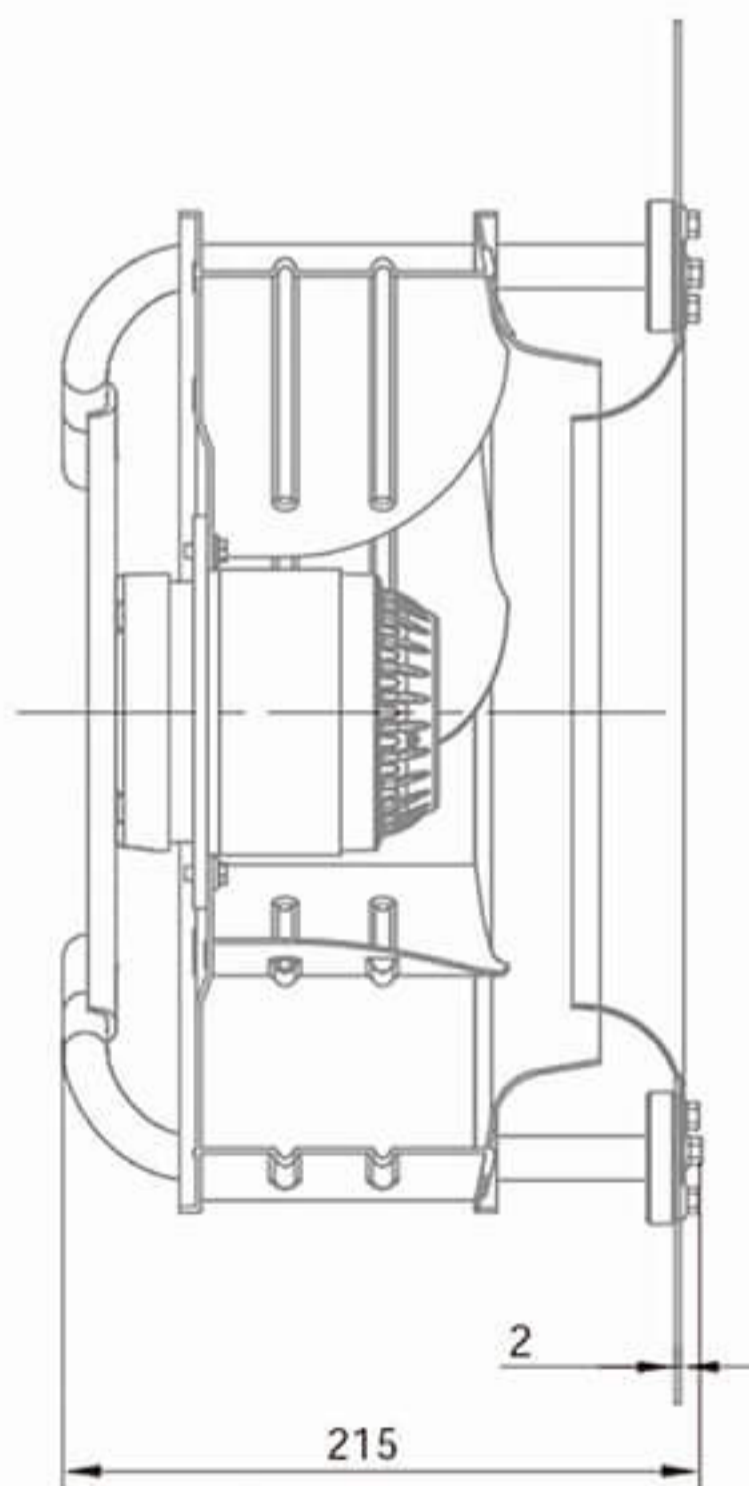


**Flow Rate Curve**



## Product Characteristic

Motor technology: AC Outer rotor  
 Mode of Operation: S1  
 Protection Class: IP54  
 Insulation Class: F  
 Bearings: Maintenance-free ball bearings  
 Impeller Material: Sheet aluminium  
 Rotation: C.C.W, seen on the leads

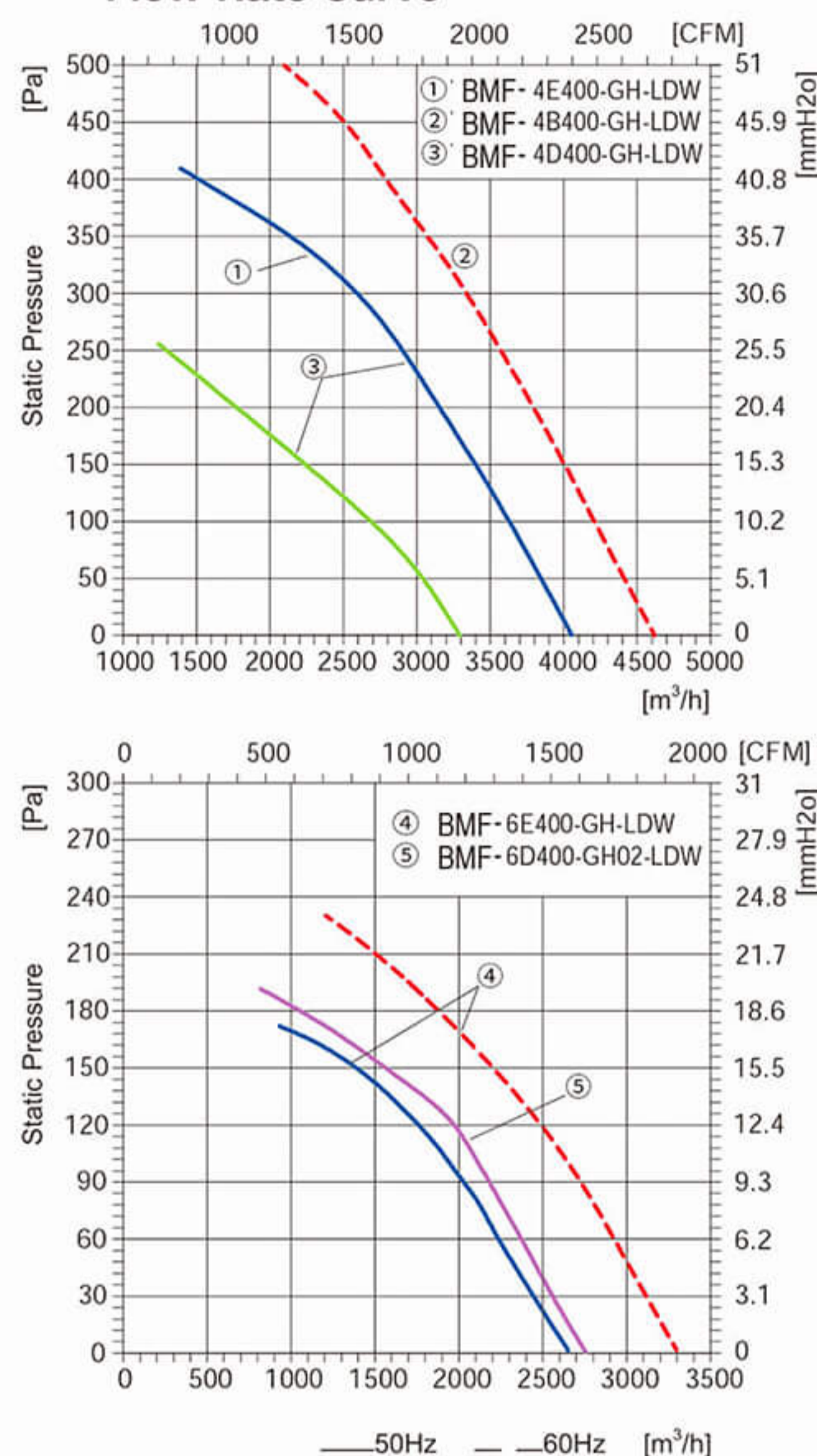


Model	Voltage (V)	Frequency (Hz)	Input Power (W)	Current (A)	Air Volume (m³/h)	Speed (r/min)	Capacitor (µF)	Noise [dB(A)]	Max Environmental Temperature(°C)	Weight (Kg)
BMF- 4E355-GH2-LDW	230	50	220	1.0	2200	1360	6	64	70	9.5
	230	60	310	1.38	2500	1450	6	68	40	9.5
BMF- 4D355-GH2-LDW	400	50	220	0.47	2200	1380	-	65	70	9.5
	400	60	310	0.48	2500	1500	-	67	50	9.5

# AC Centrifugal Plug Fans $\Phi 400$

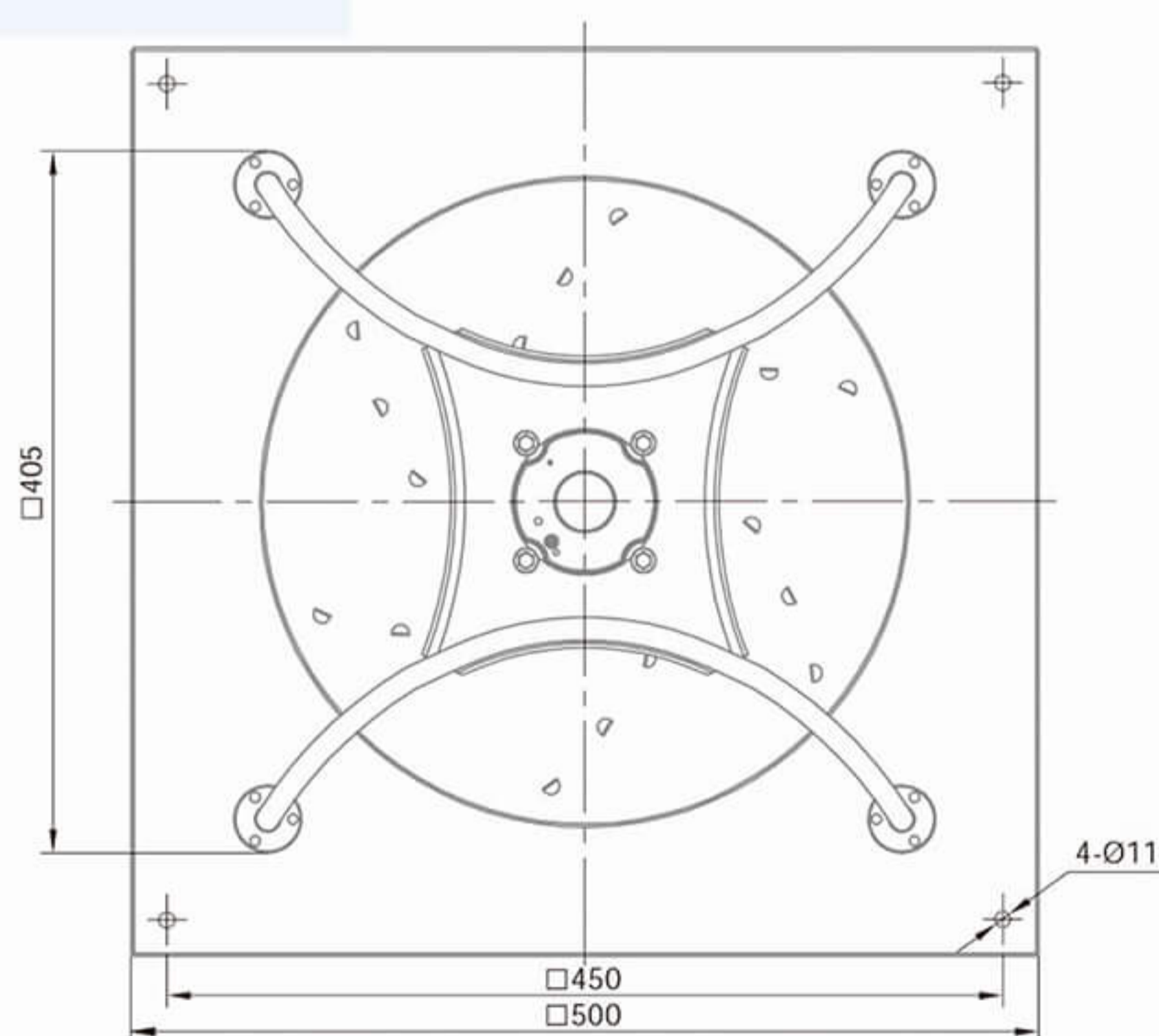
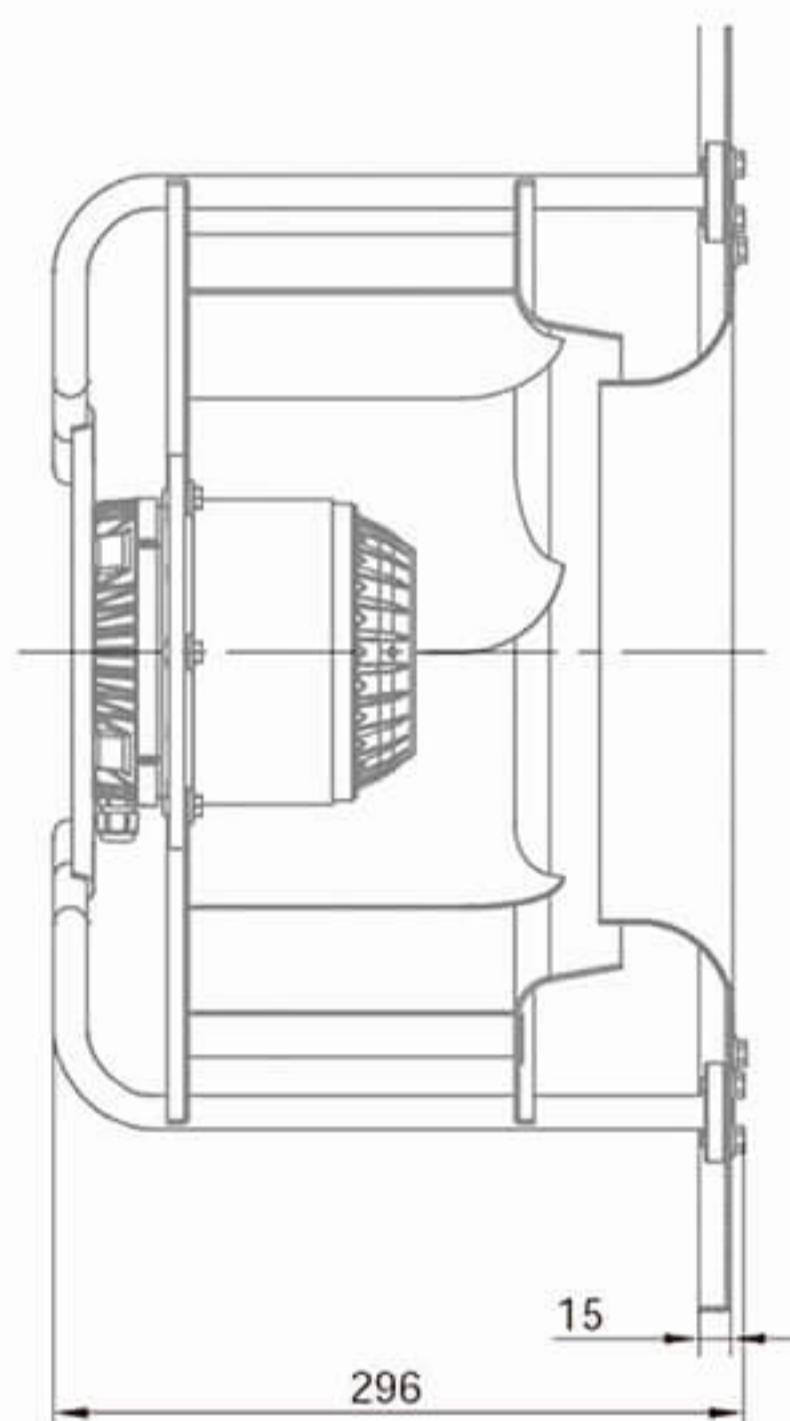


**Flow Rate Curve**



## Product Characteristic

Motor technology: AC Outer rotor  
 Mode of Operation: S1  
 Protection Class: IP54  
 Insulation Class: F  
 Bearings: Maintenance-free ball bearings  
 Impeller Material: Sheet aluminium  
 Rotation: C.C.W, seen on the leads

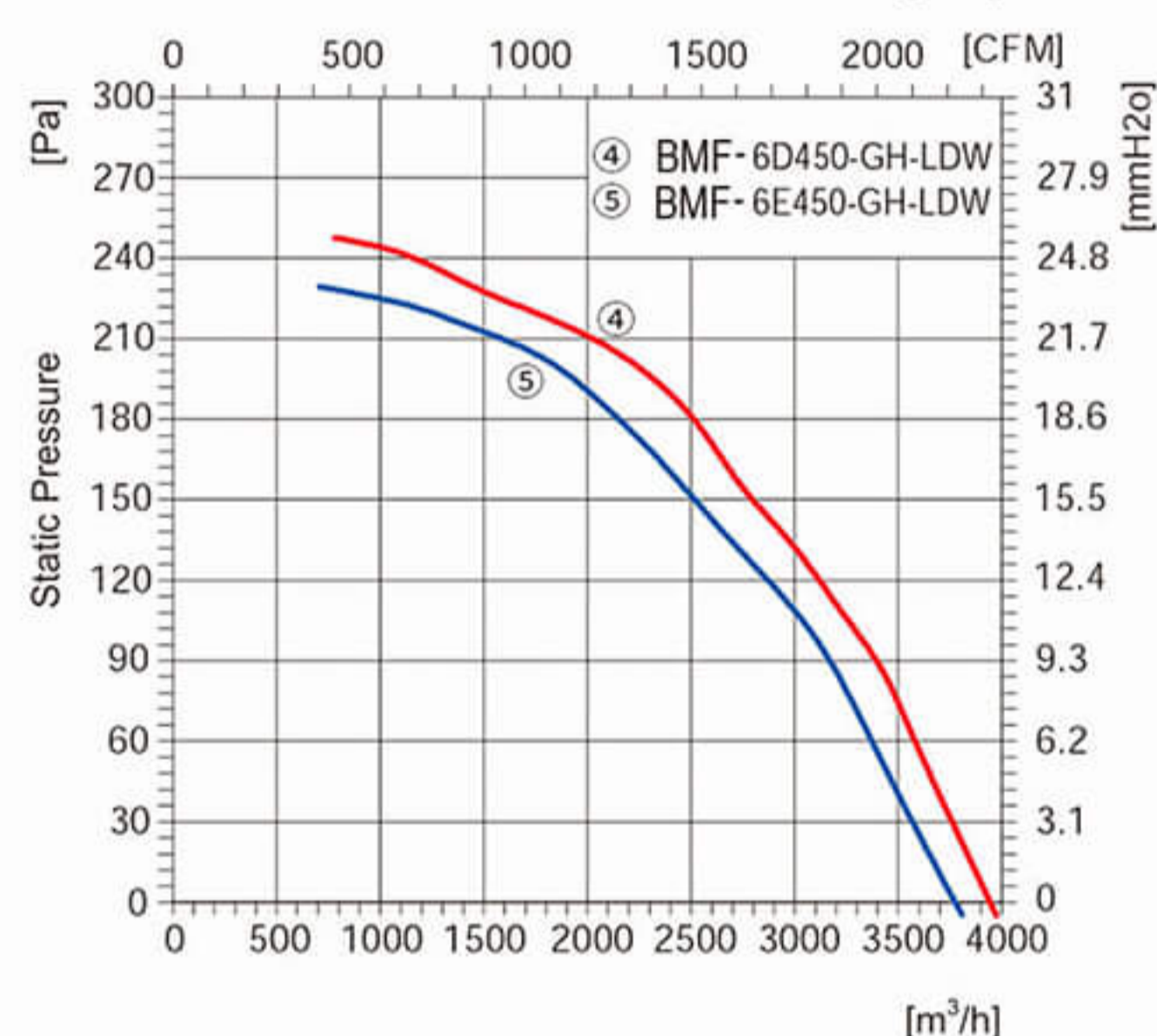
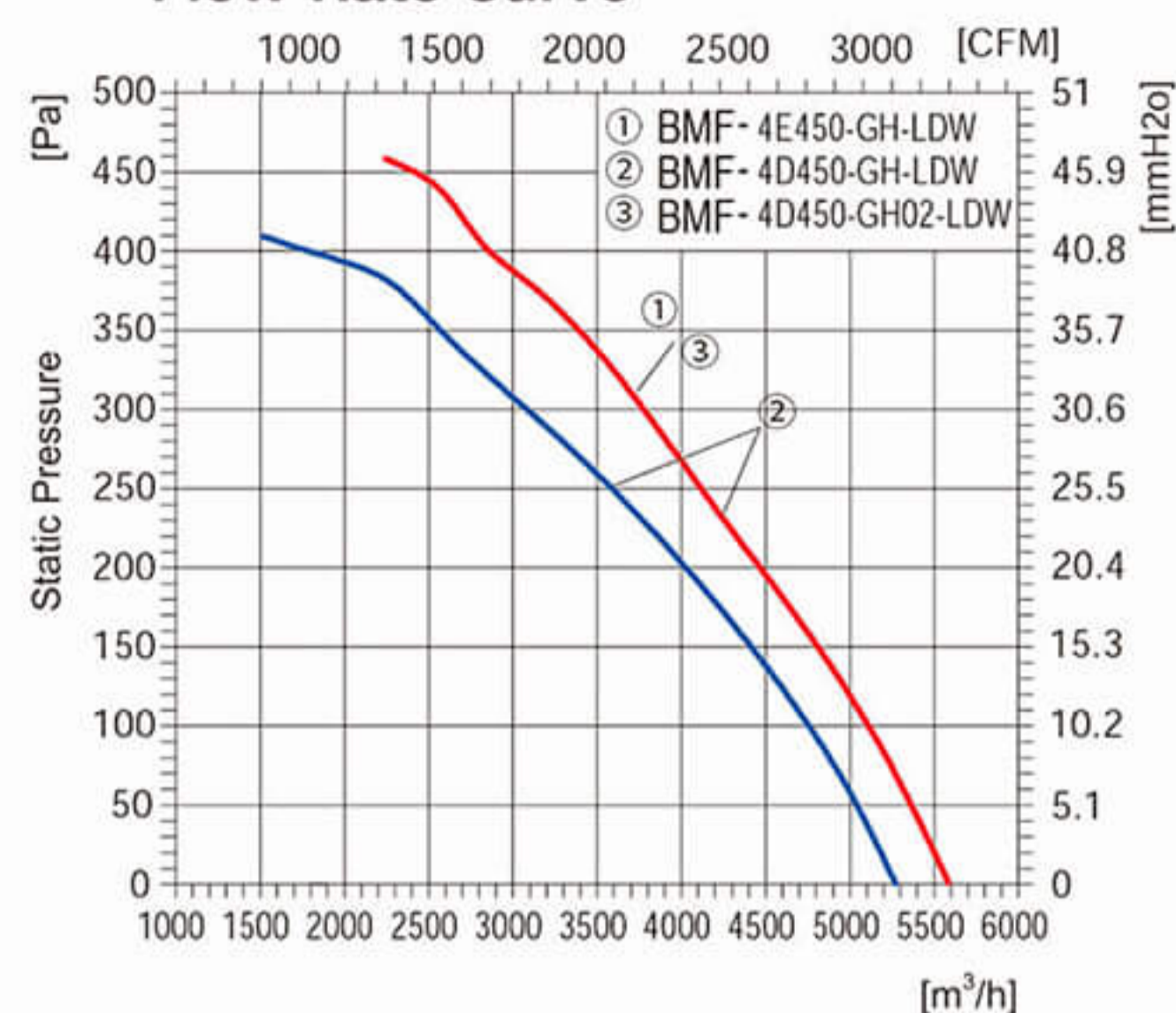


Model	Voltage (V)	Frequency (Hz)	Input Power (W)	Current (A)	Air Volume (m <sup>3</sup> /h)	Speed (r/min)	Capacitor ( $\mu$ F)	Noise [dB(A)]	Max Environmental Temperature(°C)	Weight (Kg)
BMF- 4E400-GH-LDW	230	50	560	2.46	4100	1350	10	66	50	15.0
BMF- 4B400-GH-LDW	115	60	820	7.1	4600	1550	50	71	70	17.0
BMF- 4D400-GH-LDW	400 $\Delta/Y$	50	540/350	1/0.53	4100	1350/1070	-	66	50	14.0
BMF- 6E400-GH-LDW	230	50	180	0.83	2700	920	5	50	60	14.0
BMF- 6D400-GH02-LDW	230/400 $\Delta/Y$	50	250	1.26/0.73	2750	900	-	50	60	14.0

# AC Centrifugal Plug Fans $\Phi 450$

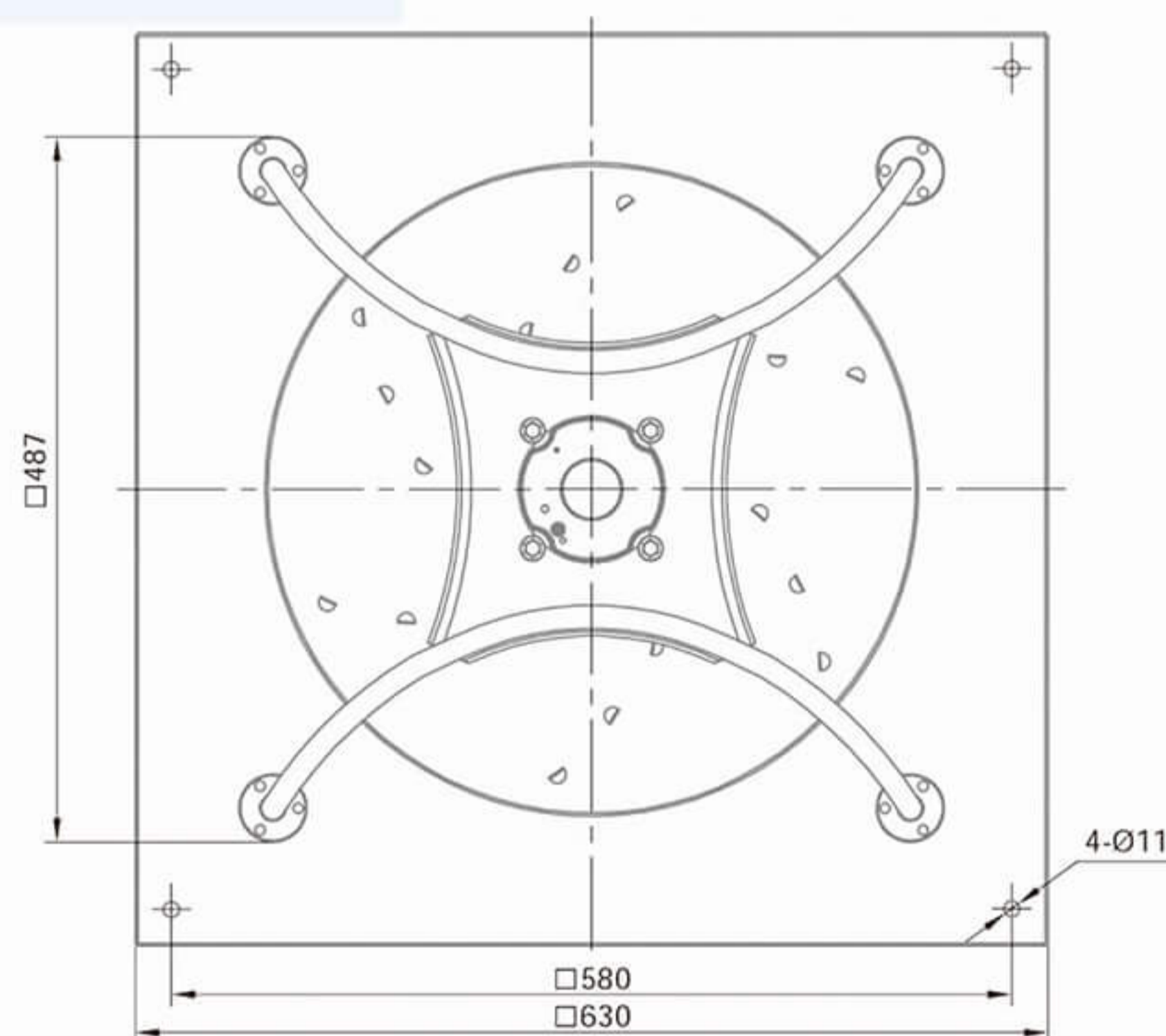
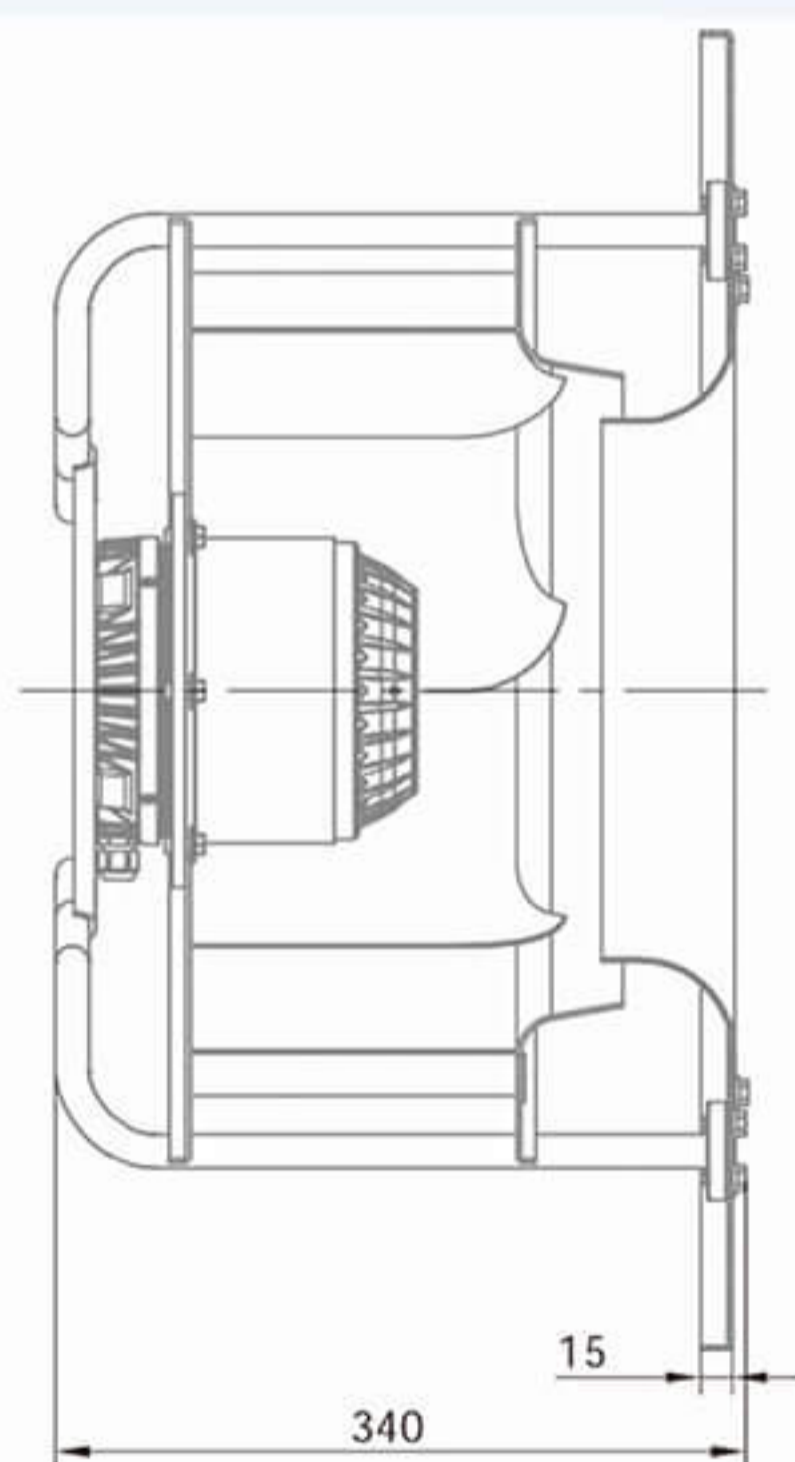


**Flow Rate Curve**



## Product Characteristic

Motor technology: AC Outer rotor  
 Mode of Operation: S1  
 Protection Class: IP54  
 Insulation Class: F  
 Bearings: Maintenance-free ball bearings  
 Impeller Material: Sheet aluminium  
 Rotation: C.C.W, seen on the leads

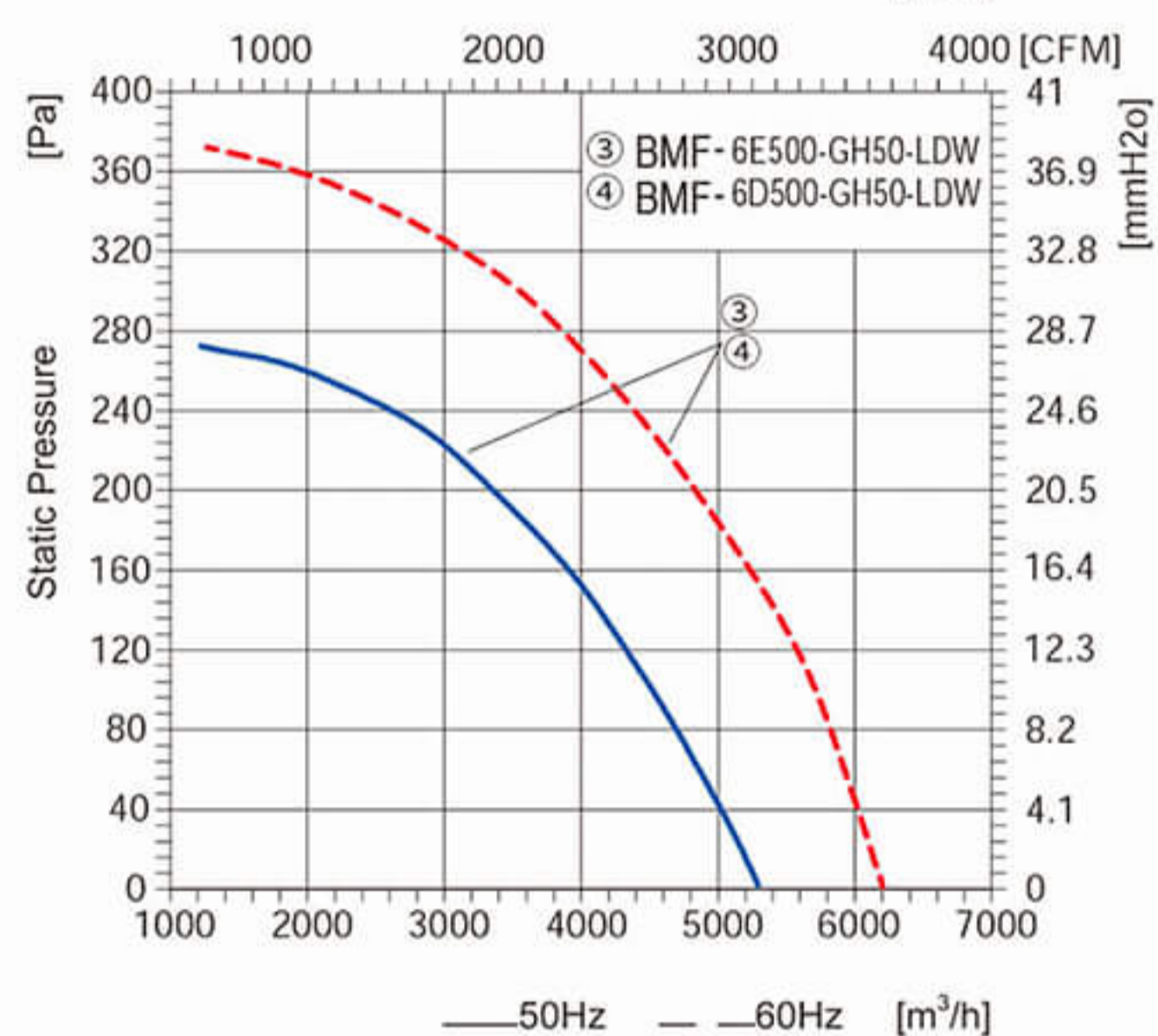
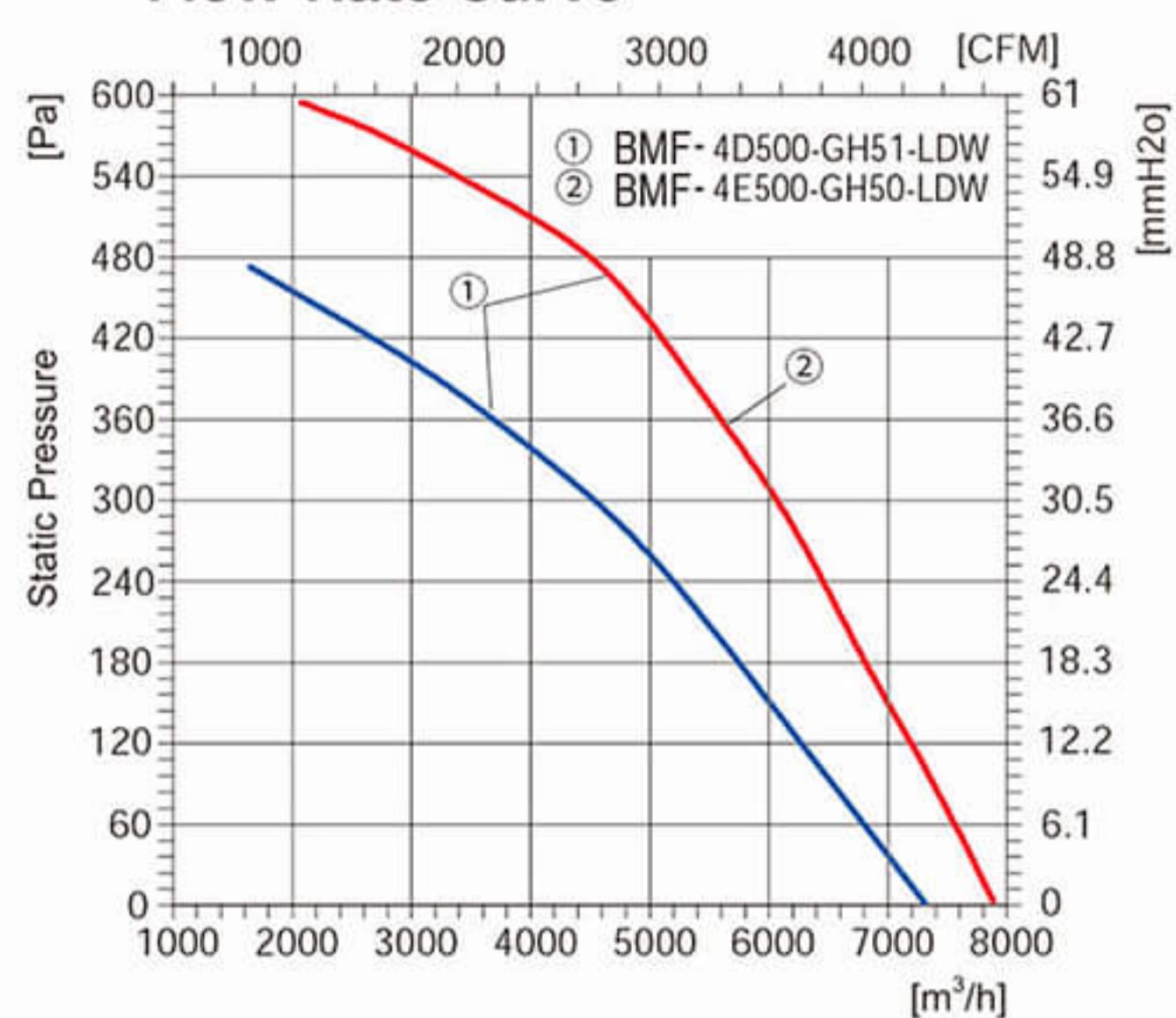


Model	Voltage (V)	Frequency (Hz)	Input Power (W)	Current (A)	Air Volume (m³/h)	Speed (r/min)	Capacitor (µF)	Noise [dB(A)]	Max Environmental Temperature(°C)	Weight (Kg)
BMF- 4E450-GH-LDW	230	50	830	4.1	5600	1340	14	74	50	19.5
BMF- 4D450-GH-LDW	400 $\Delta/Y$	50	690/350	1.26/0.58	5100	1280/1080	-	74	50	17.5
BMF- 4D450-GH02-LDW	230/400 $\Delta/Y$	50	810	2.35/1.36	5600	1260	-	74	60	19.5
BMF- 6D450-GH-LDW	400 $\Delta/Y$	50	330	0.9	4000	940	-	60	60	17.5
BMF- 6E450-GH-LDW	230	50	300	1.4	3900	900	10	60	60	17.5

# AC Centrifugal Plug Fans $\Phi 500$

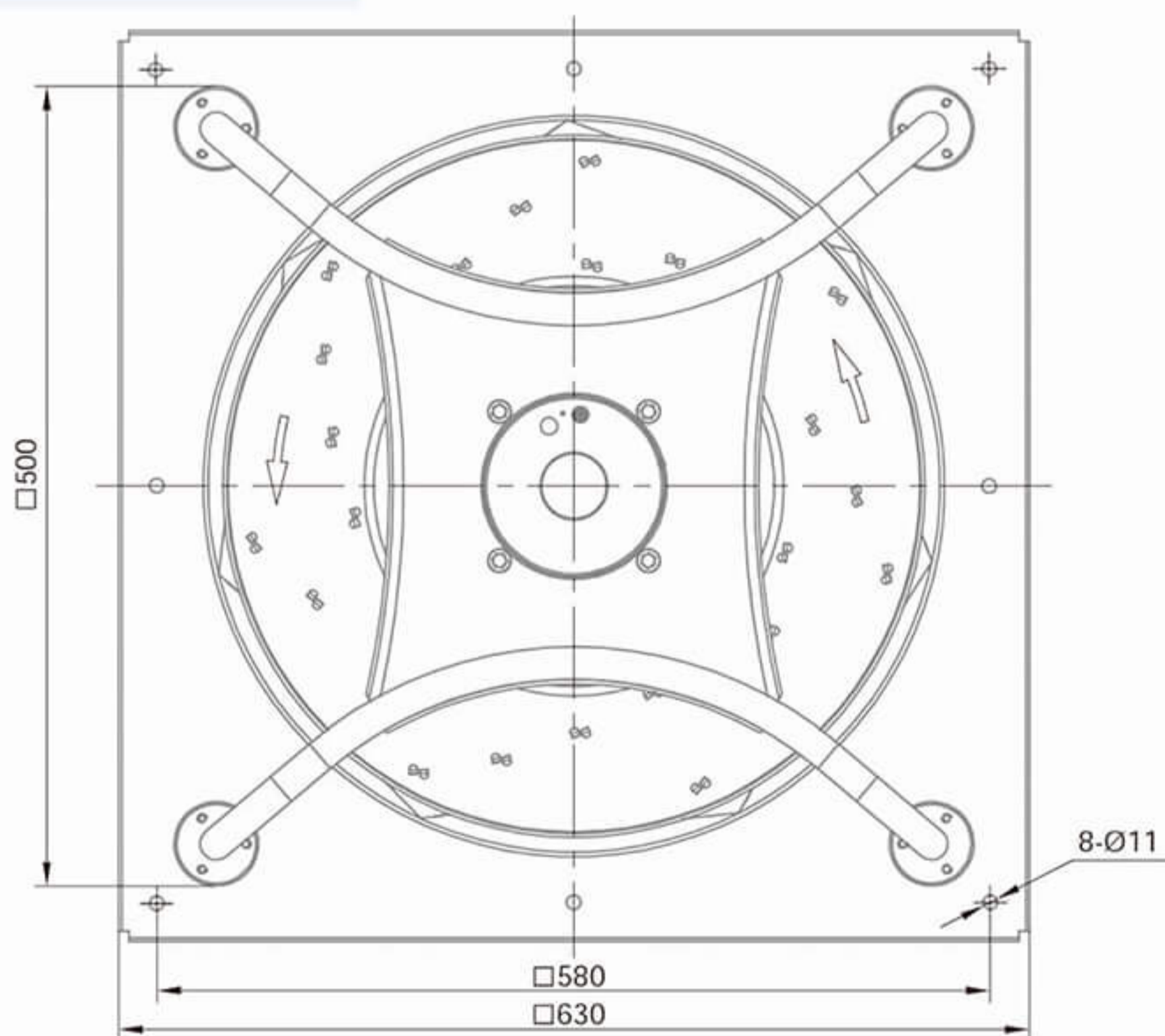
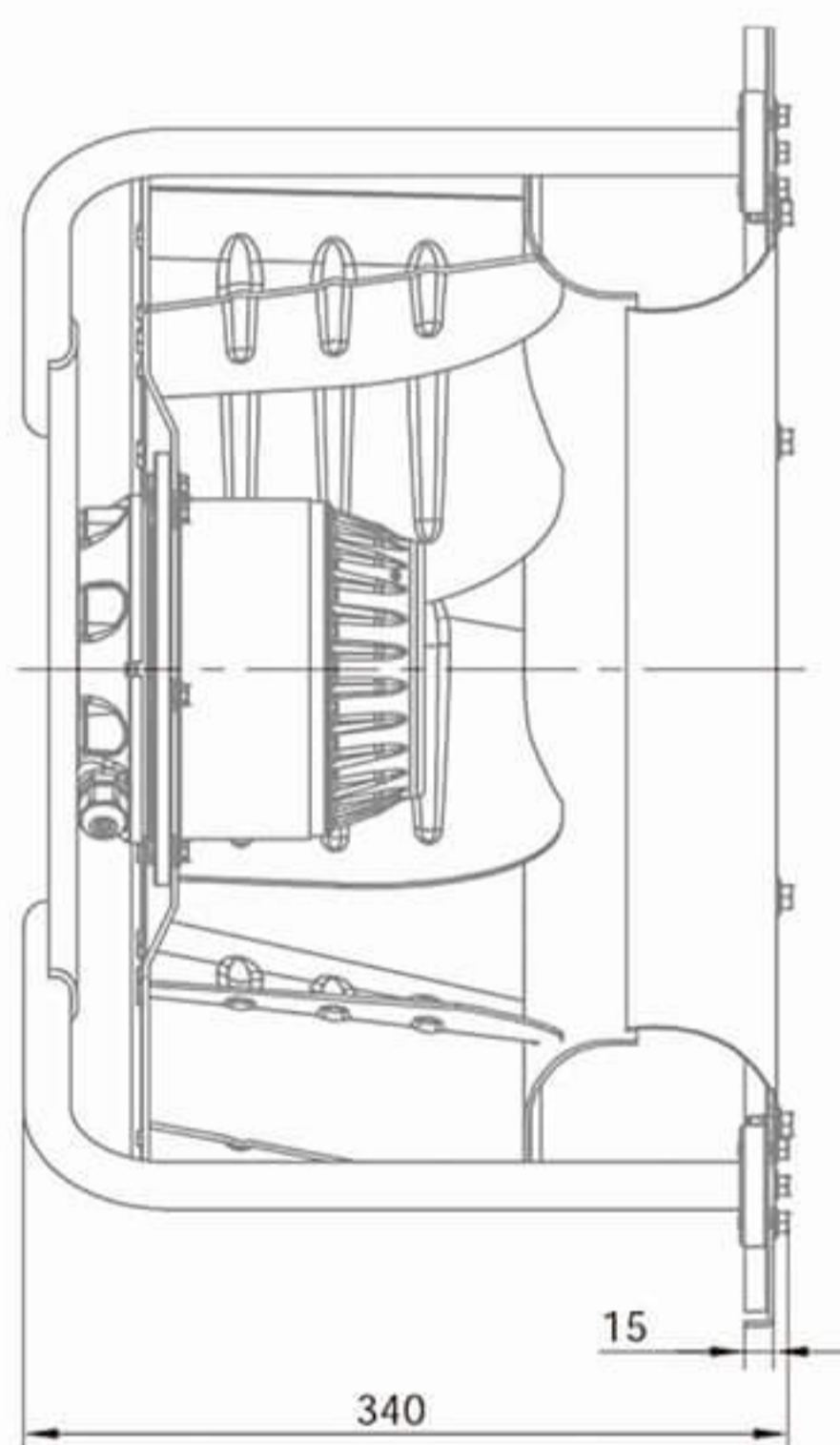


**Flow Rate Curve**



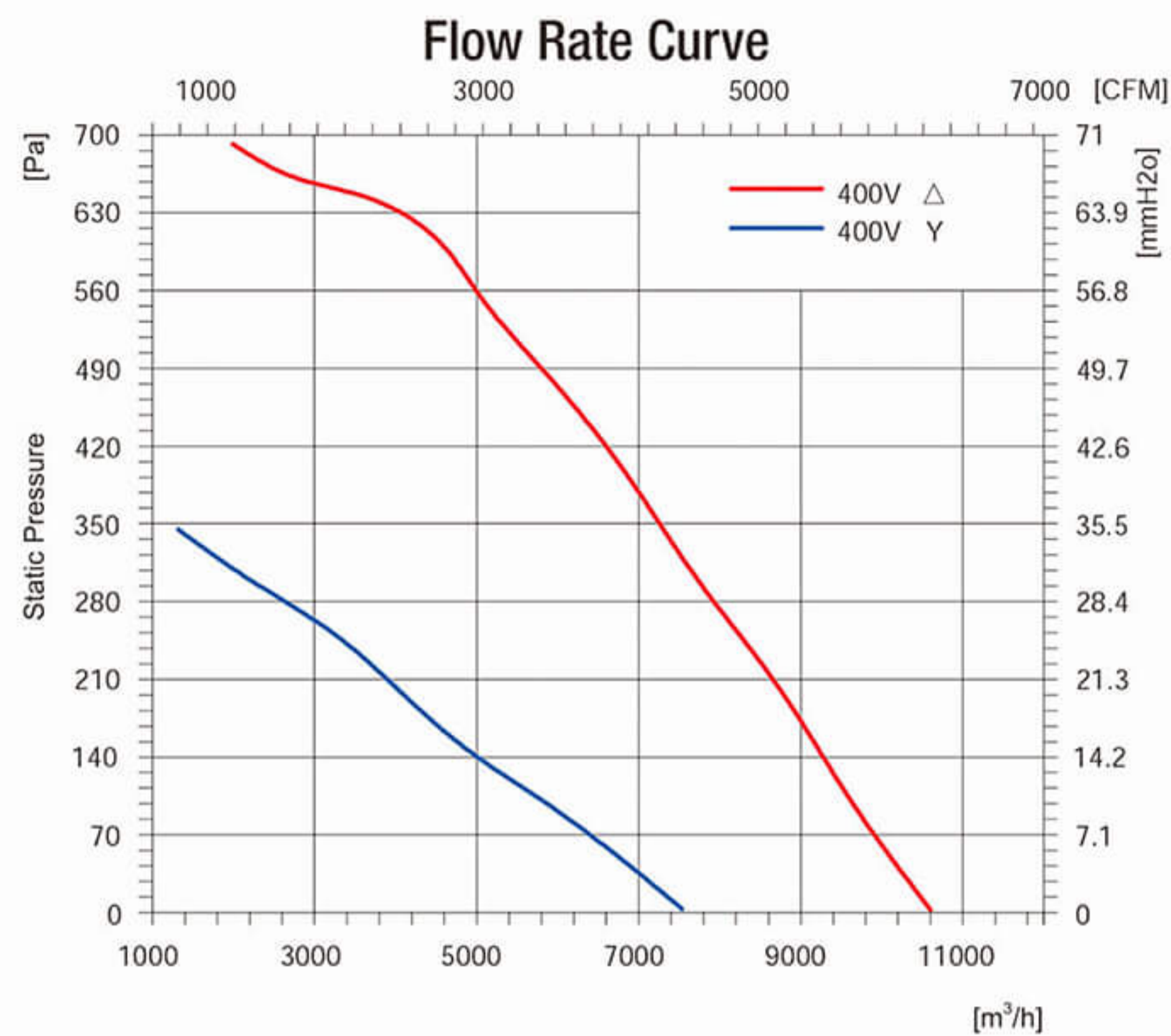
## Product Characteristic

Motor technology: AC Outer rotor  
 Mode of Operation: S1  
 Protection Class: IP54  
 Insulation Class: F  
 Bearings: Maintenance-free ball bearings  
 Impeller Material: Sheet aluminium  
 Rotation: C.C.W, seen on the leads



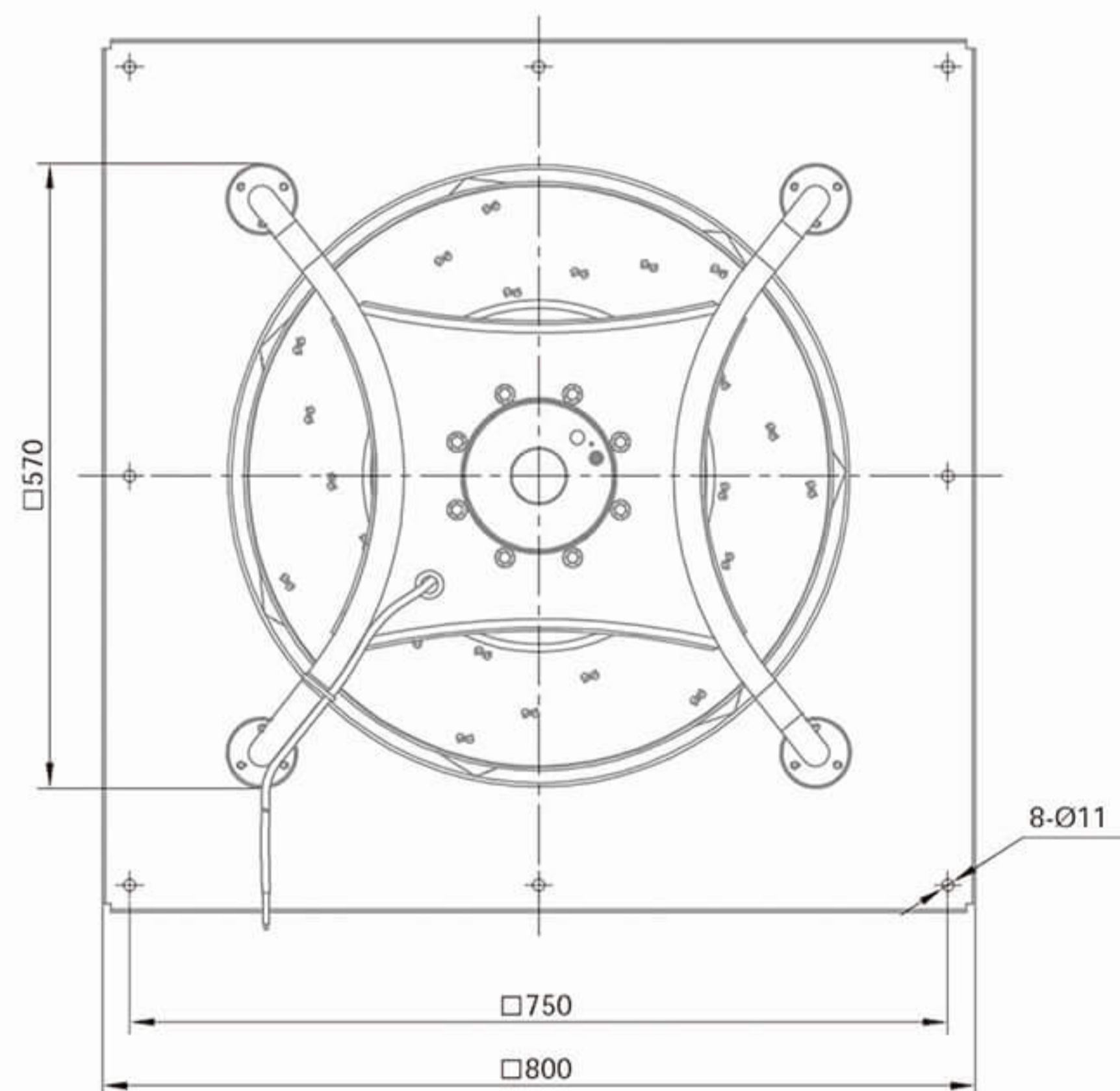
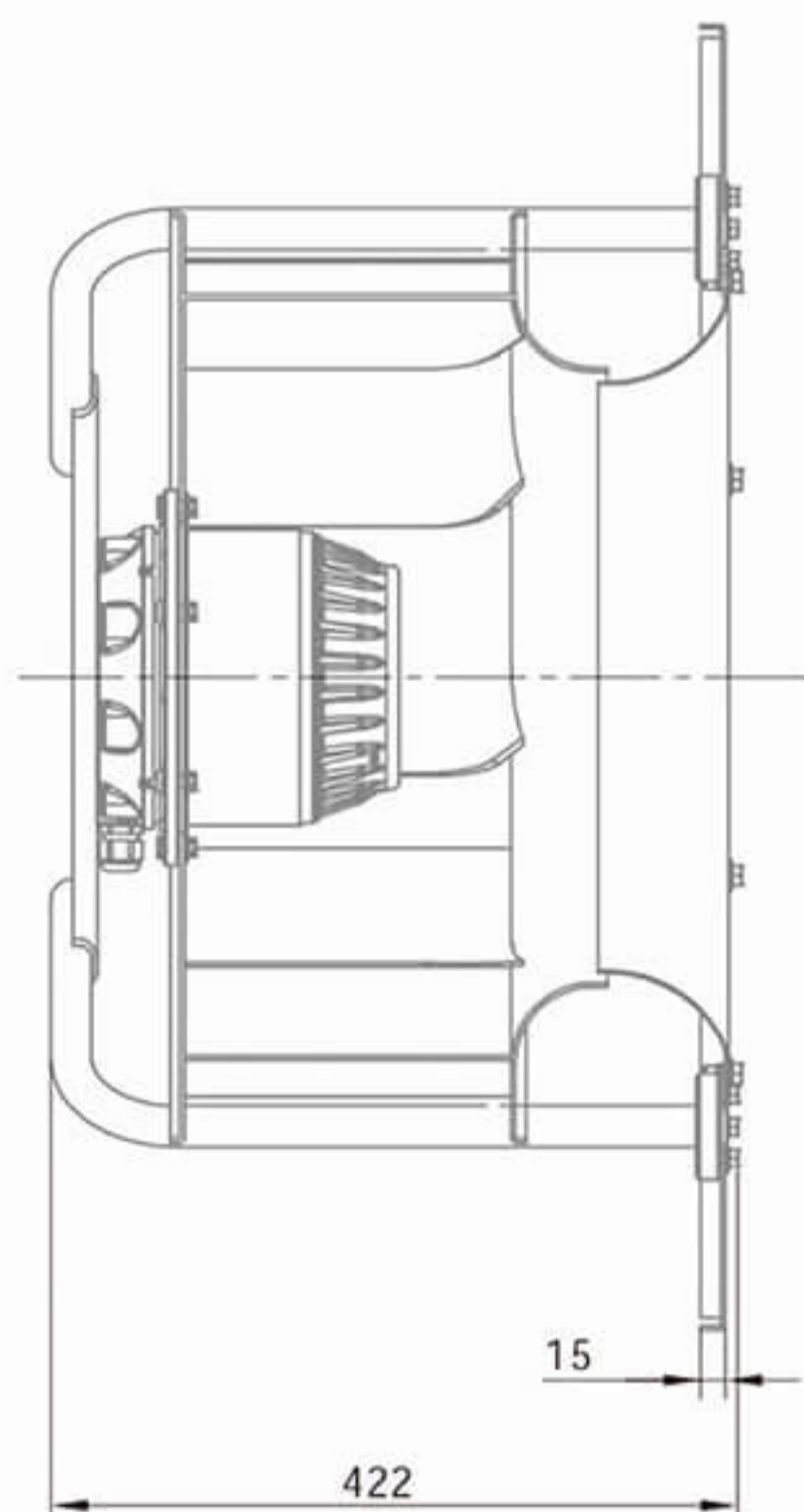
Model	Voltage (V)	Frequency (Hz)	Input Power (W)	Current (A)	Air Volume (m³/h)	Speed (r/min)	Capacitor (µF)	Noise [dB(A)]	Max Environmental Temperature(°C)	Weight (Kg)
BMF-4D500-GH51-LDW	400 $\Delta/Y$	50	1300/1100	2.65/1.6	7980/7310	1400/1030	-	77	50	29.5
BMF-4E500-GH50-LDW	230	50	1550	6.8	7900	1380	31	77	40	29.5
BMF-6E500-GH50-LDW	230	50/60	430/650	2.1/3.1	5300/6200	950/1100	19	65/68	60	29.5
BMF-6D500-GH50-LDW	230/400 $\Delta/Y$	50/60	390/600	2.17/1.25	5300/6200	950/1100	-	66/69	60	29.5

# AC Centrifugal Plug Fans $\Phi 560$



## Product Characteristic

Motor technology: AC Outer rotor  
 Mode of Operation: S1  
 Protection Class: IP54  
 Insulation Class: F  
 Bearings: Maintenance-free ball bearings  
 Impeller Material: Sheet aluminium  
 Rotation: C.C.W, seen on the leads

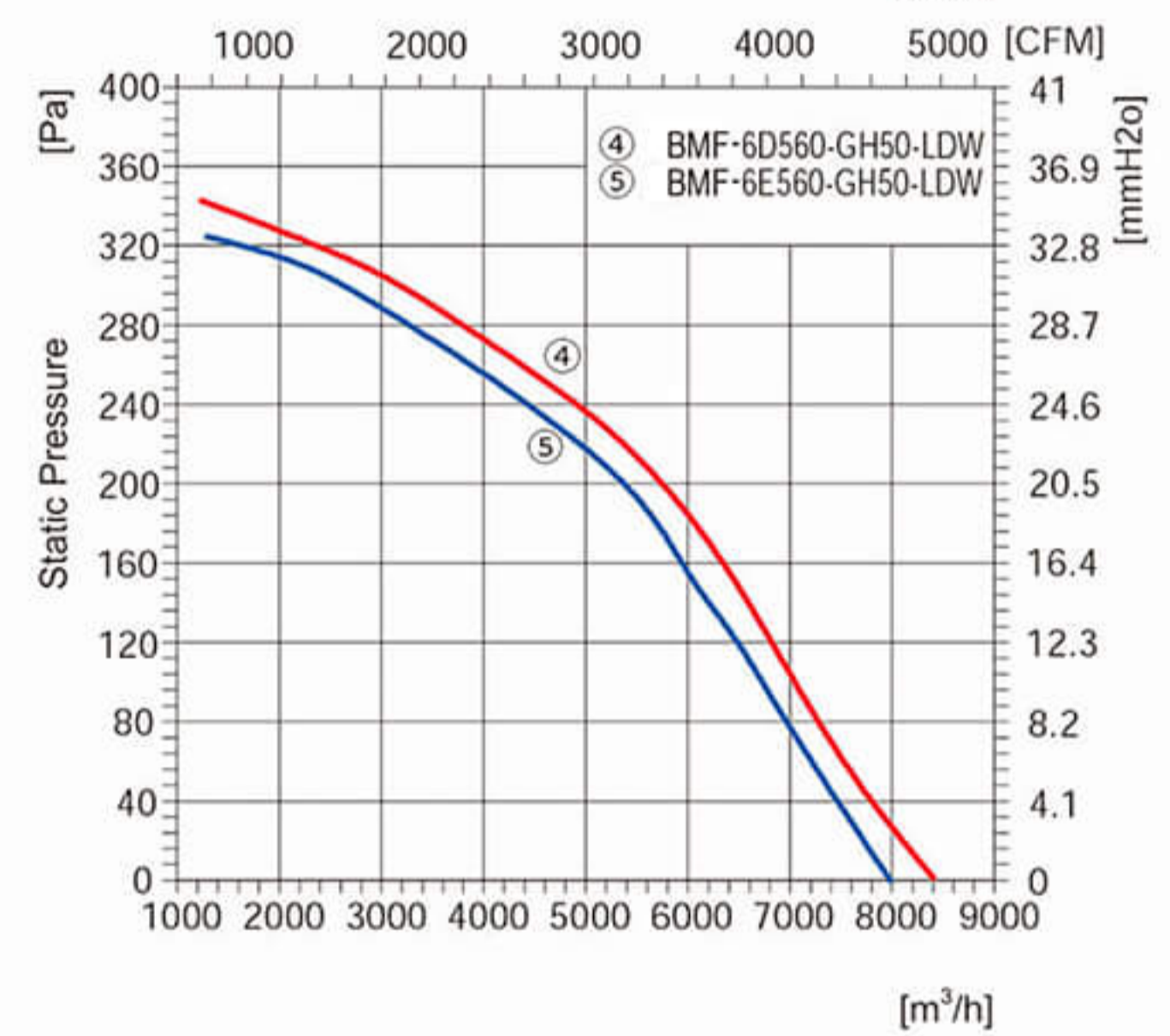
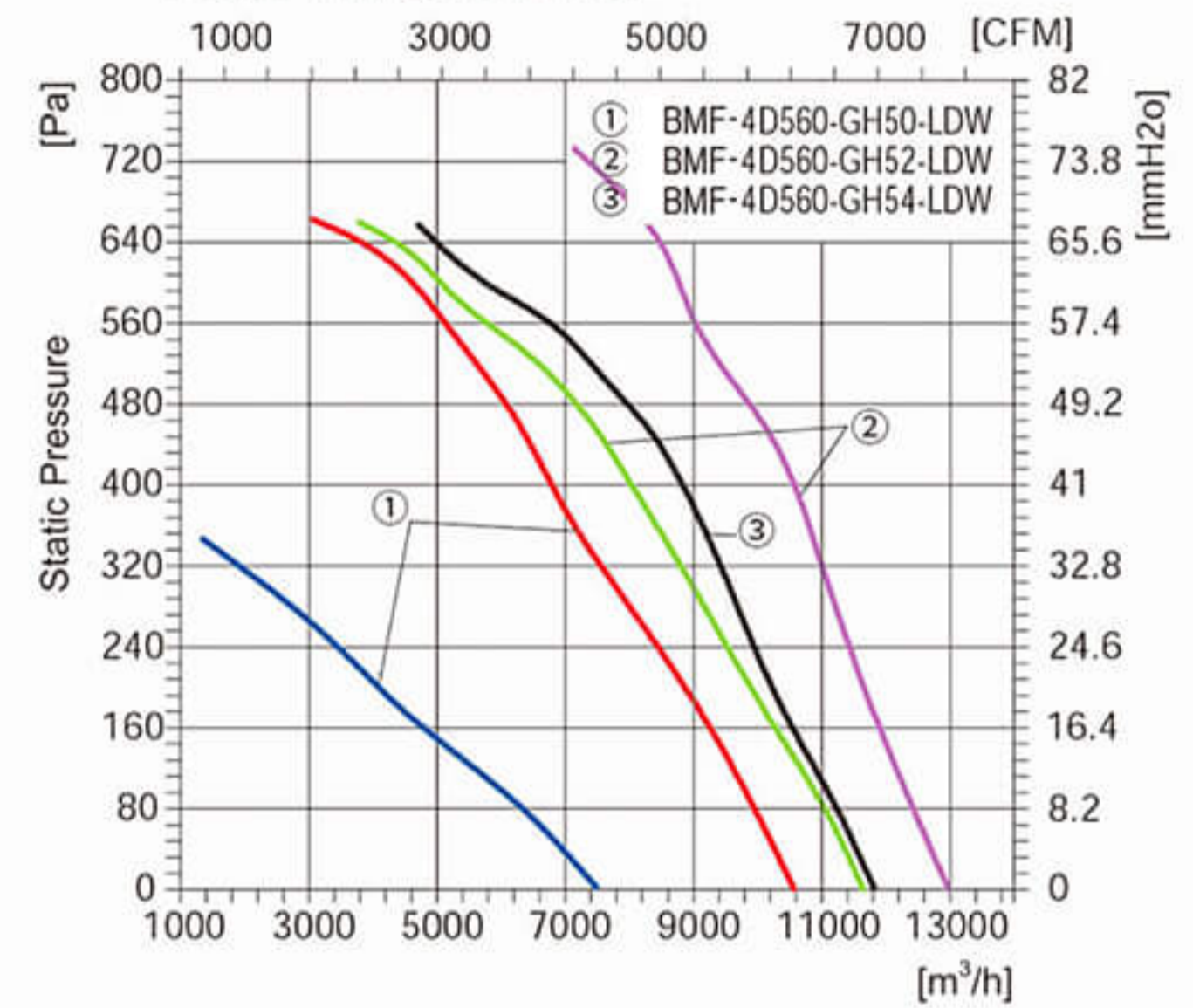


Model	Voltage (V)	Frequency (Hz)	Input Power (W)	Current (A)	Air Volume (m³/h)	Speed (r/min)	Capacitor (µF)	Noise [dB(A)]	Max Environmental Temperature(°C)	Weight (Kg)
BMF-4D560-GH-LDW	400 Δ/Y	50	1850/850	3.6/1.75	10500	1200/780	-	79	40	41.0

# AC Centrifugal Plug Fans $\Phi 560$

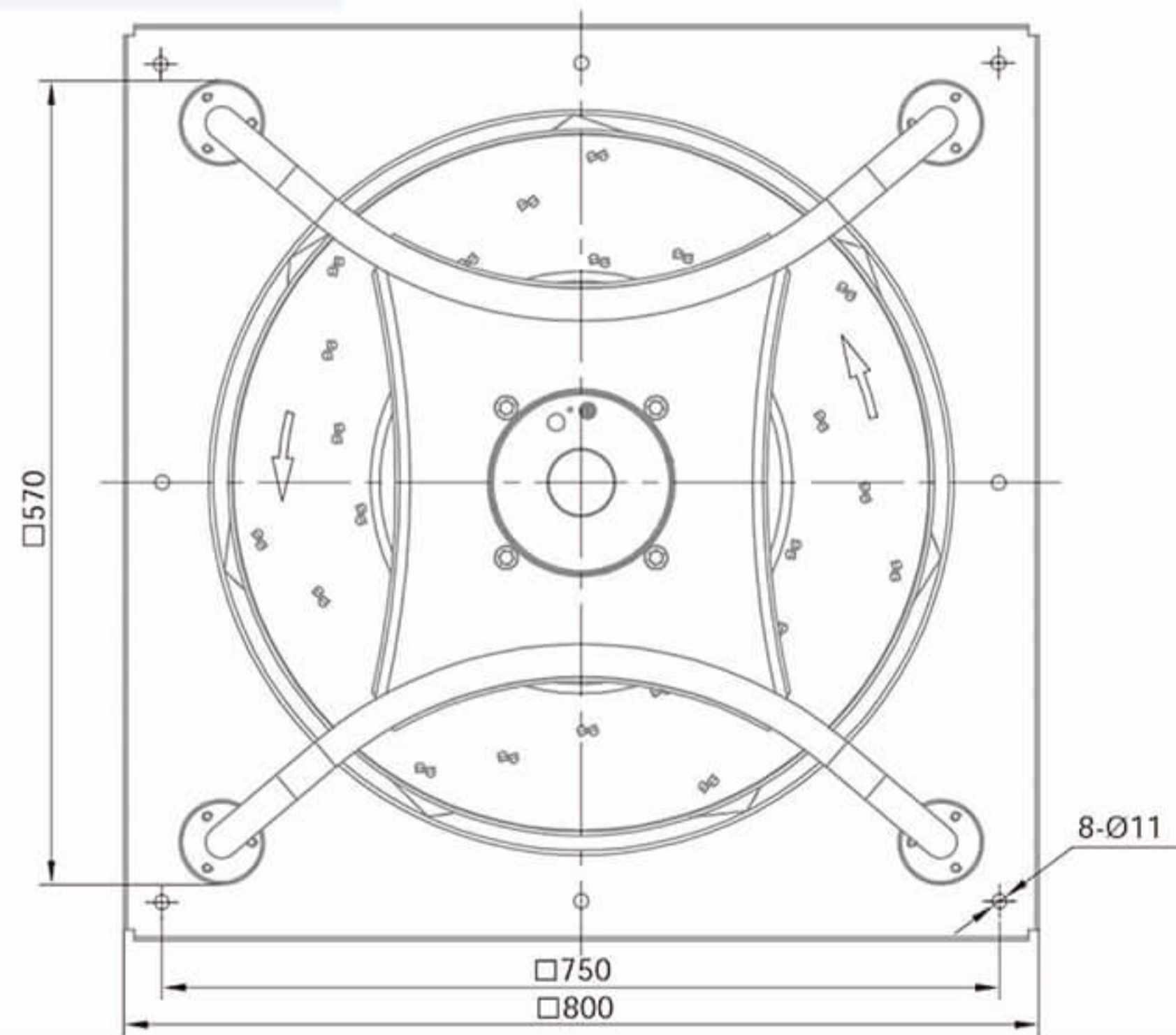
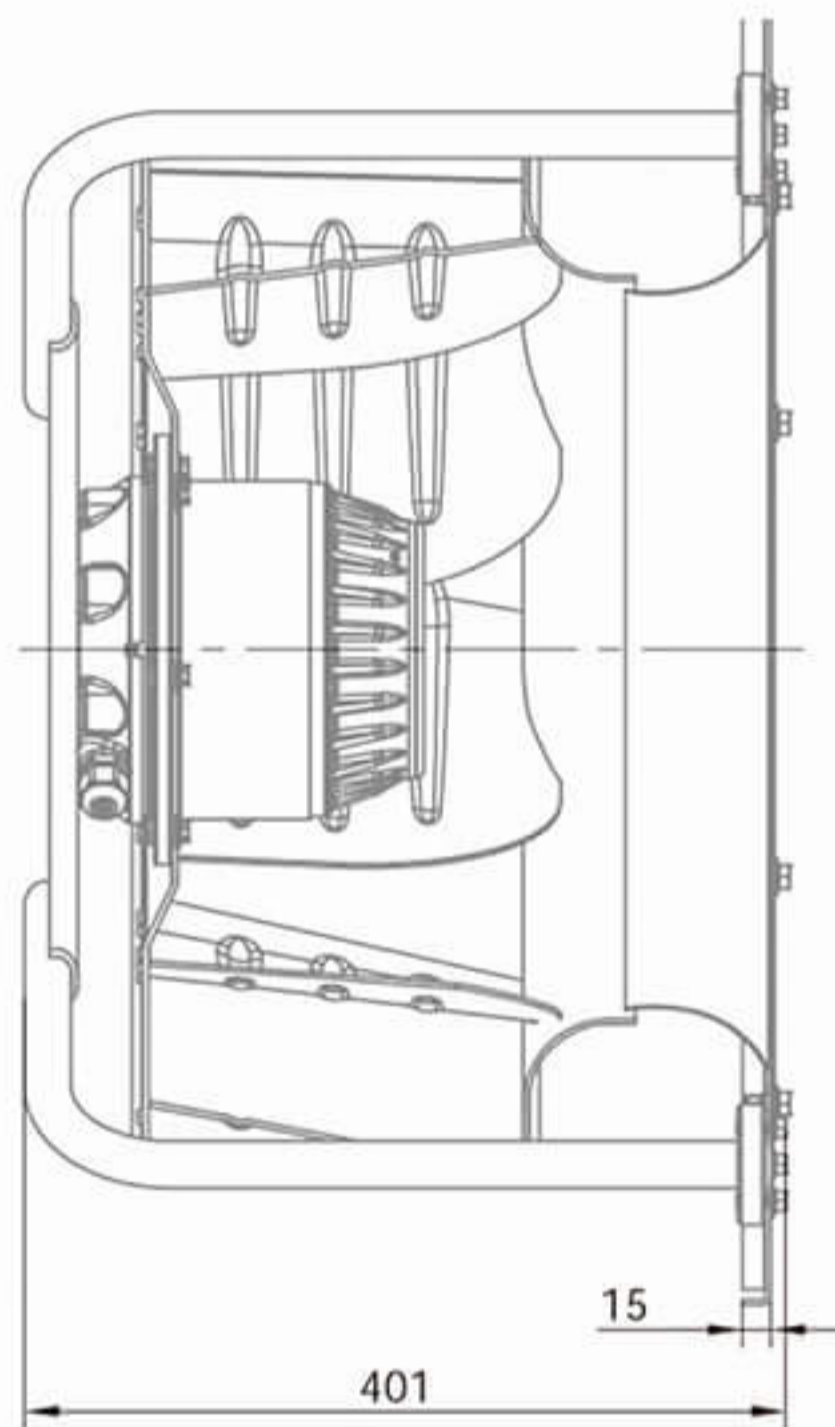


**Flow Rate Curve**



### Characteristic

- AC Outer rotor
- S1
- IP54
- F
- Maintenance-free ball bearings
- Sheet aluminium
- C.C.W, seen on the leads



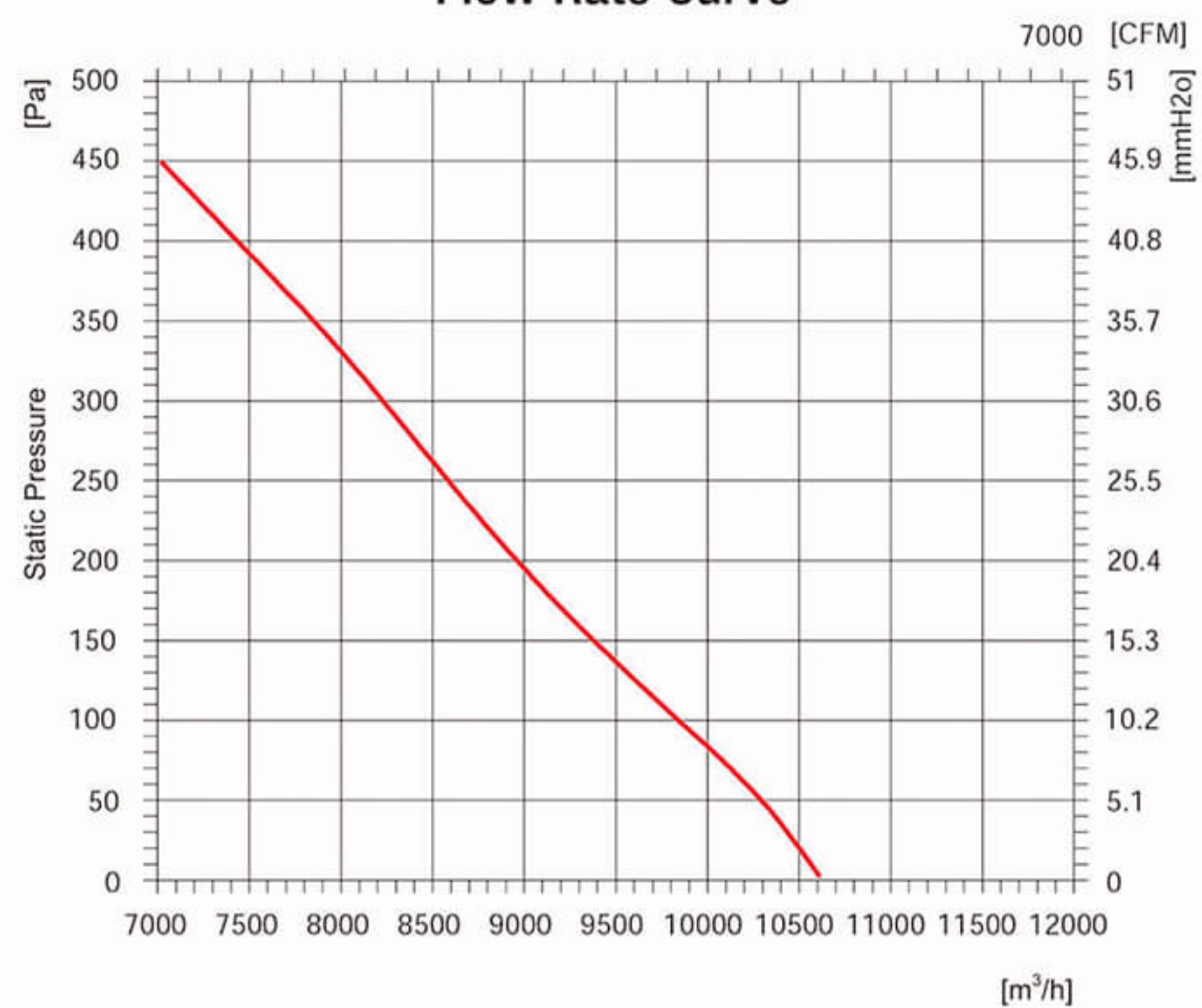
Model	Voltage (V)	Frequency (Hz)	Input Power (W)	Current (A)	Air Volume (m <sup>3</sup> /h)	Speed (r/min)	Capacitor ( $\mu$ F)	Noise [dB(A)]	Max Environmental Temperature(°C)	Weight (Kg)
BMF- 4D560-GH50-LDW	400 $\Delta/Y$	50	1800/850	3.4/1.68	11000/7770	1290/900	-	79	45	41.0
BMF- 4D560-GH52-LDW	400 $\Delta/Y$	50	2700/2070	4.78/3.3	13000/11700	1400/1270	-	81	50	45.0
BMF- 4D560-GH54-LDW	400 $\Delta$	50	2300	3.7	12000	1325	-	81	50	42.0
BMF- 6D560-GH50-LDW	230/400 $\Delta/Y$	50	780	2.69/1.55	8400	870	-	69	50	37.0
BMF- 6E560-GH50-LDW	230	50	700	3.1	8400	900	19	69	50	37.0



# AC Centrifugal Plug Fans $\Phi 560$

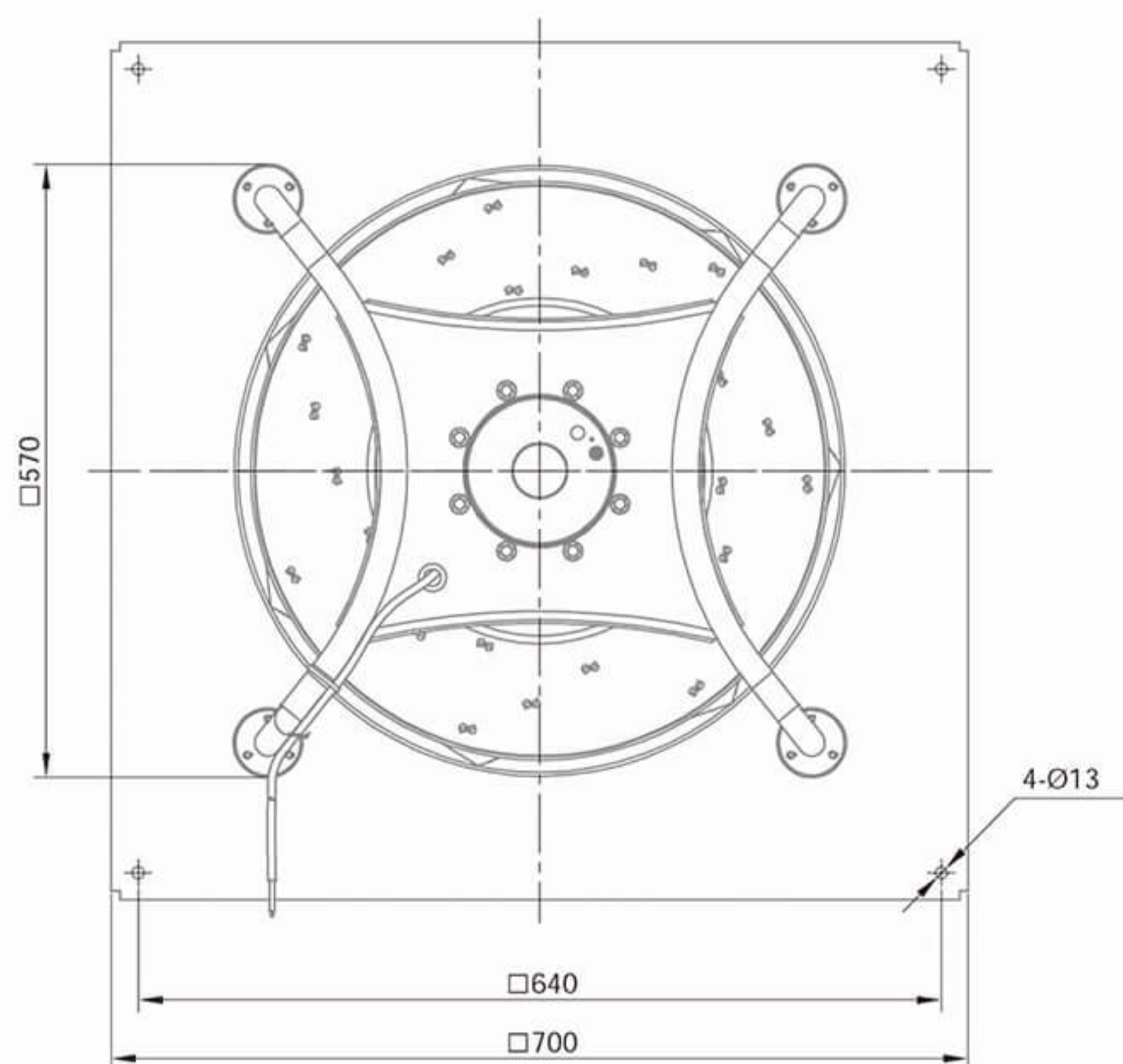
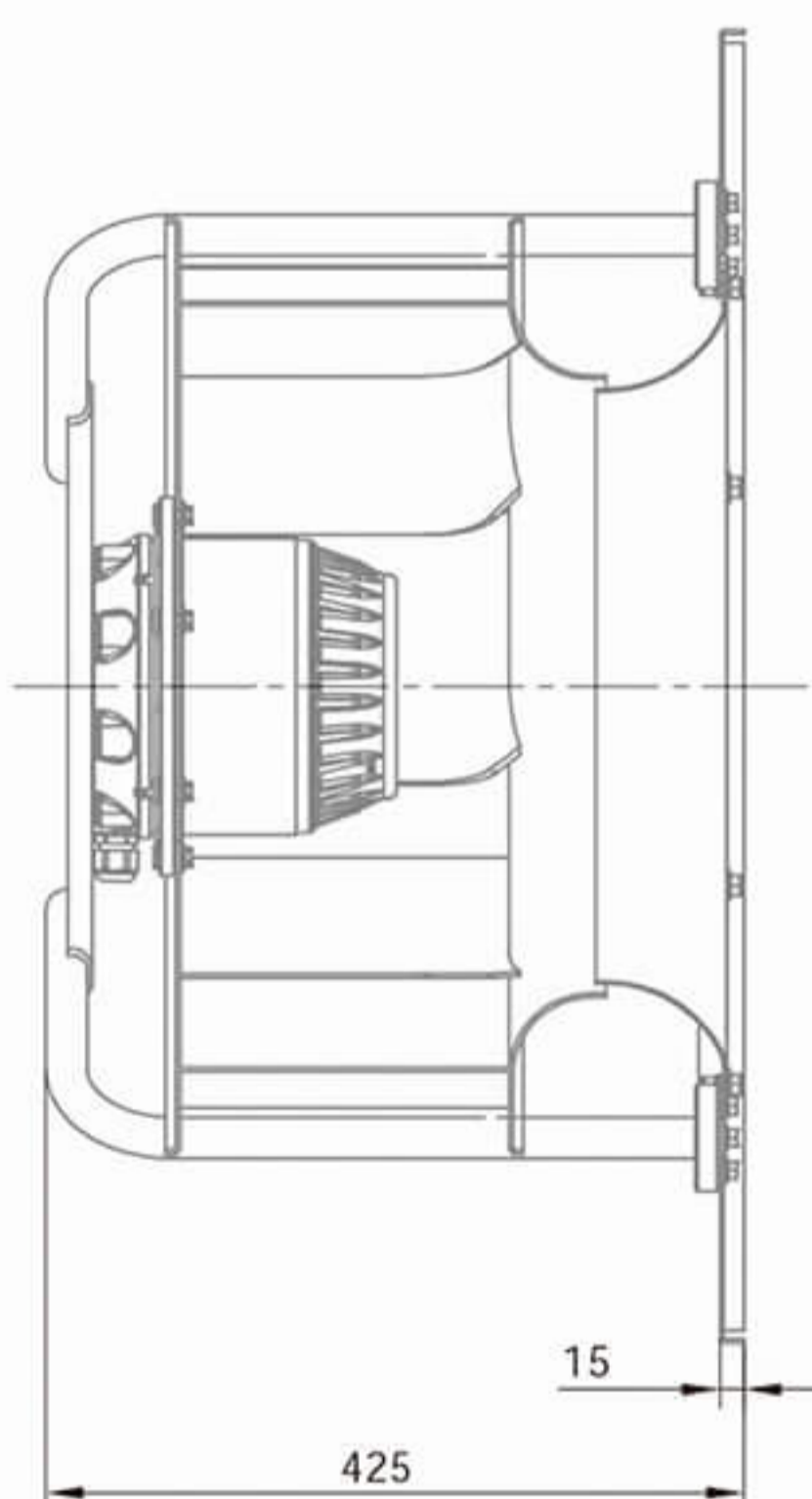


Flow Rate Curve



## Product Characteristic

Motor technology: AC Outer rotor  
 Mode of Operation: S1  
 Protection Class: IP54  
 Insulation Class: F  
 Bearings: Maintenance-free ball bearings  
 Impeller Material: Sheet aluminium  
 Rotation: C.C.W, seen on the leads

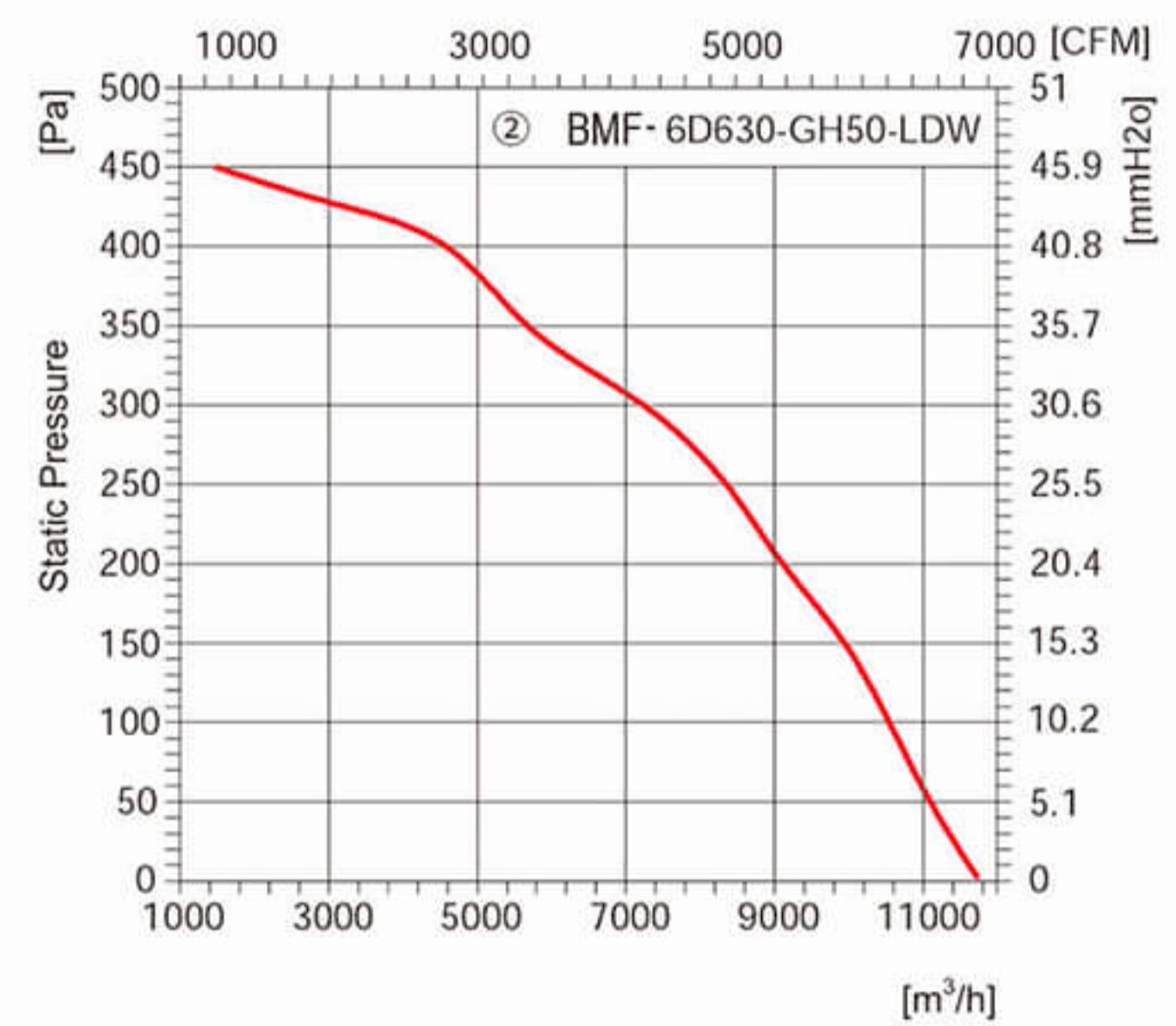
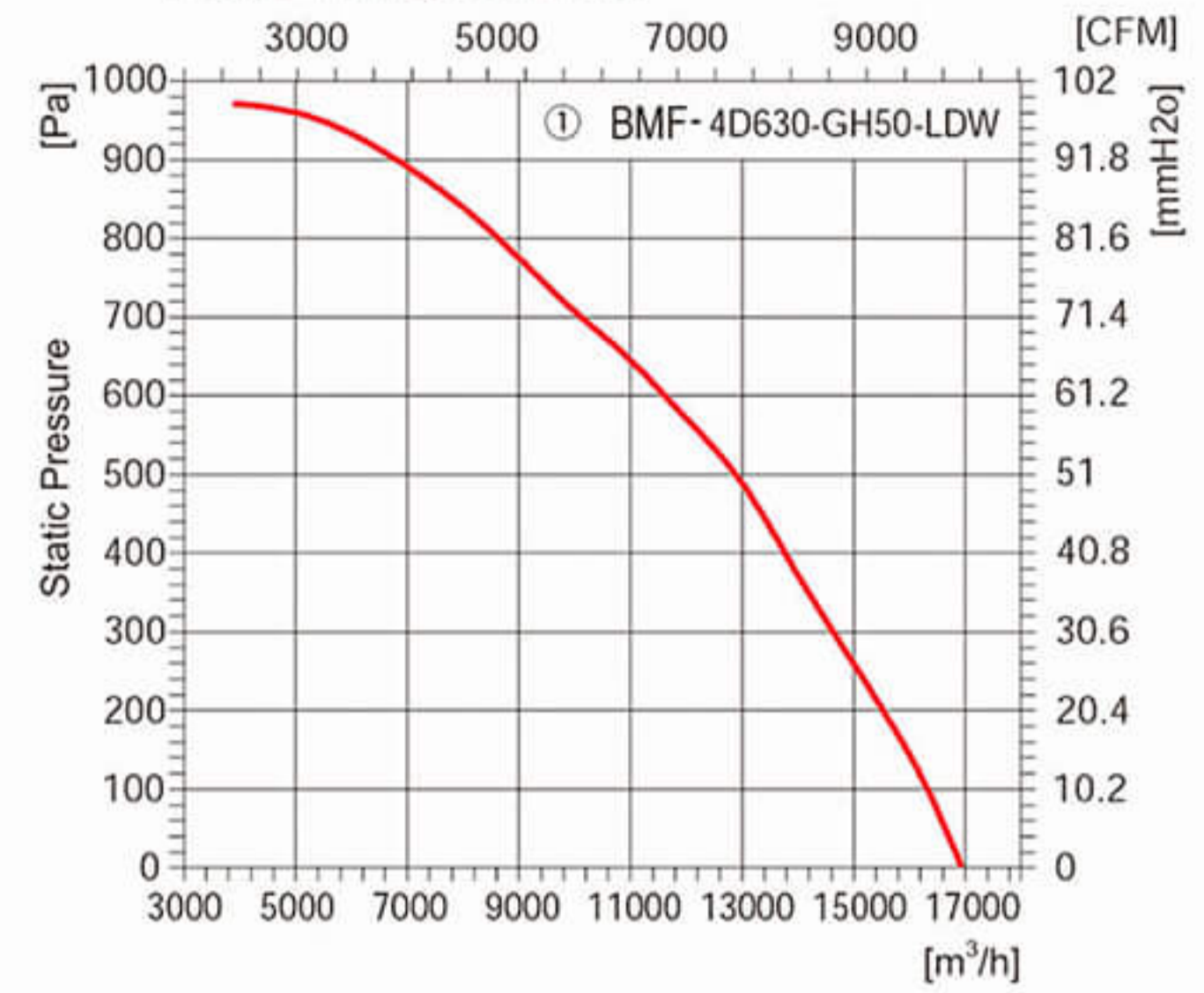


Model	Voltage (V)	Frequency (Hz)	Input Power (W)	Current (A)	Air Volume (m³/h)	Speed (r/min)	Capacitor (µF)	Noise [dB(A)]	Max Environmental Temperature(°C)	Weight (Kg)
BMF- 4T560-GH10-LDW	230/400 $\Delta/Y$	50	2200	6.5/3.7	10600	1250	-	79	50	41.0

# AC Centrifugal Plug Fans $\Phi 630$

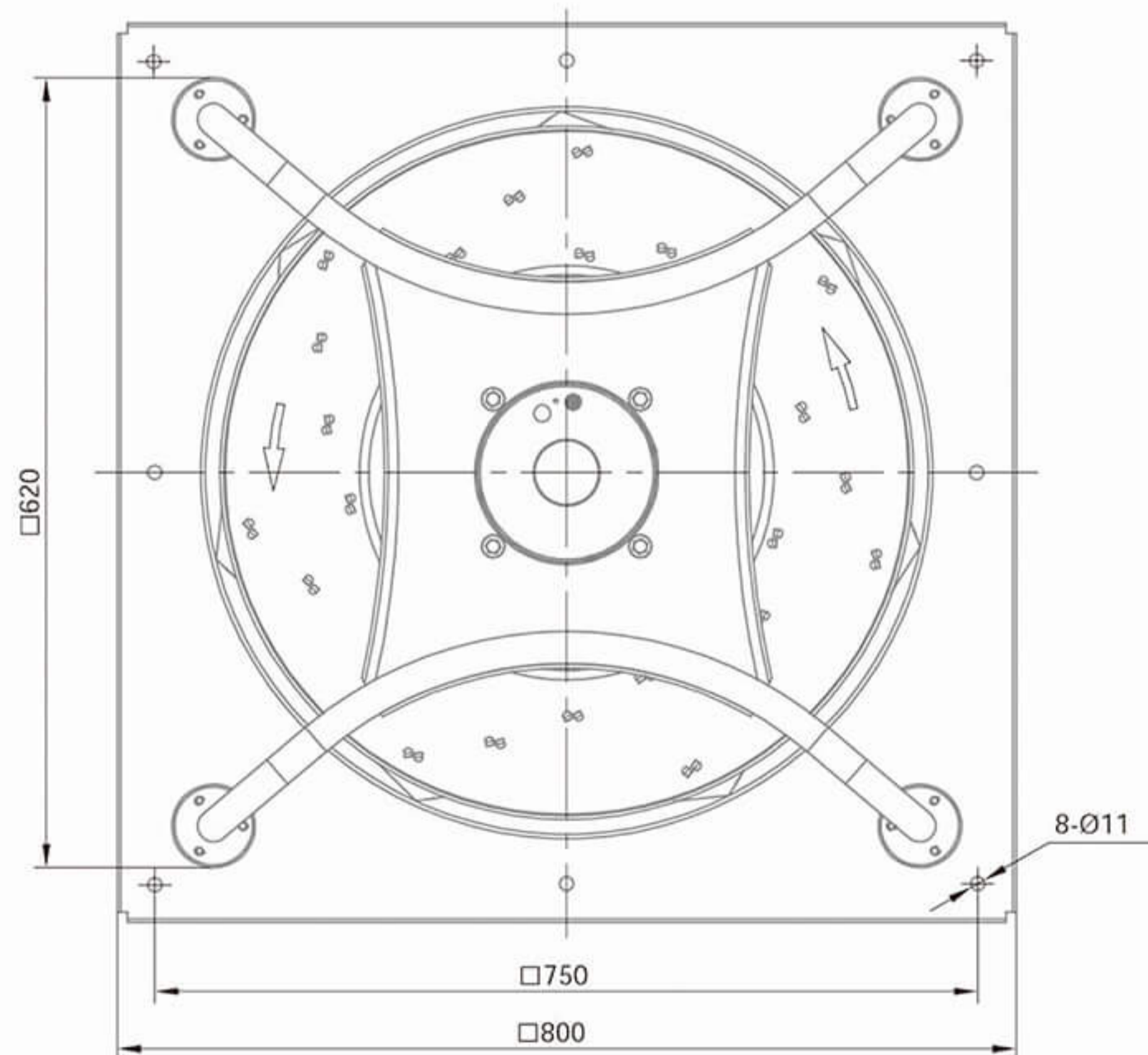
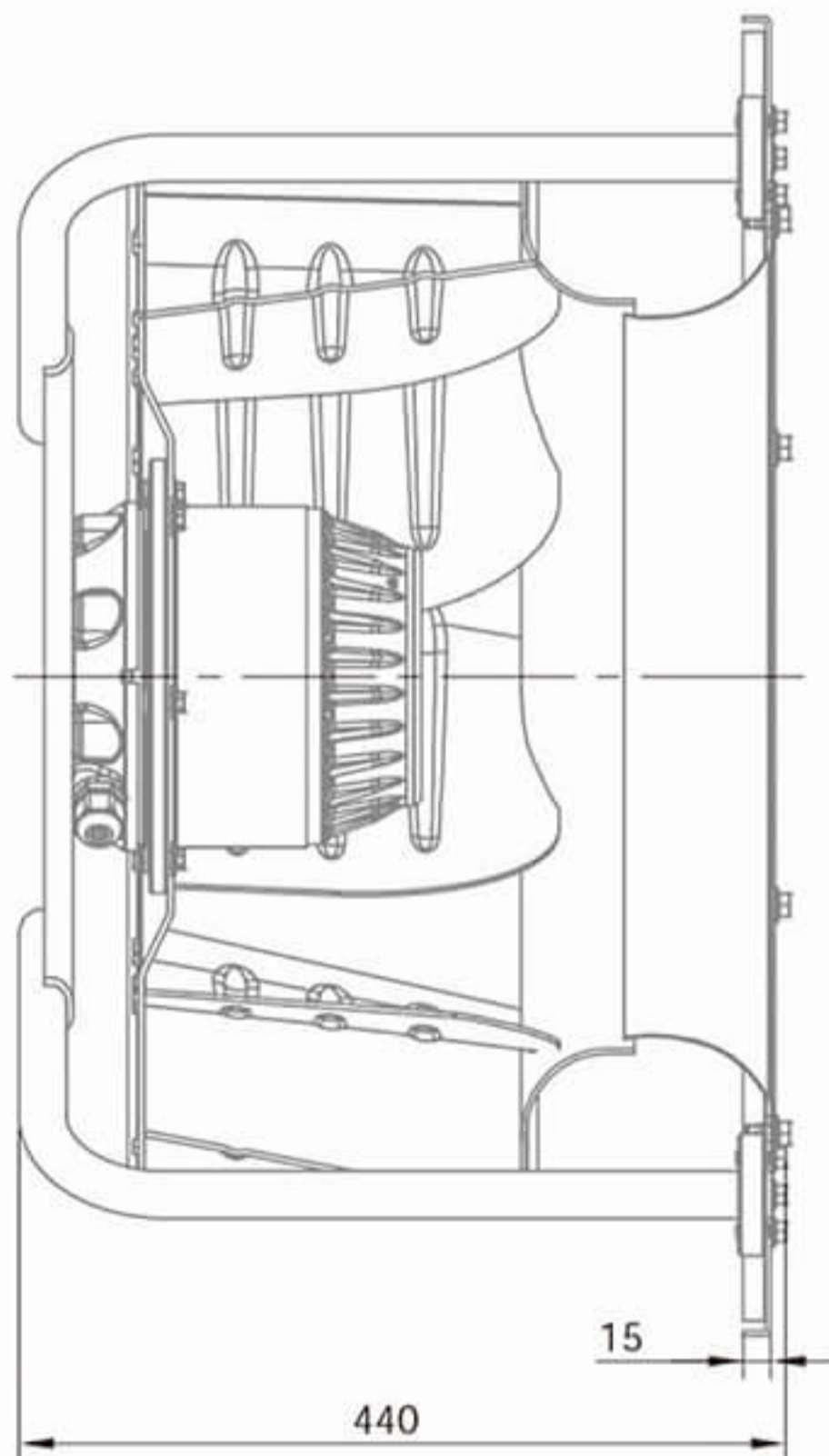


**Flow Rate Curve**



## Product Characteristic

Motor technology: AC Outer rotor  
 Mode of Operation: S1  
 Protection Class: IP54  
 Insulation Class: F  
 Bearings: Maintenance-free ball bearings  
 Impeller Material: Sheet aluminium  
 Rotation: C.C.W, seen on the leads



Model	Voltage (V)	Frequency (Hz)	Input Power (W)	Current (A)	Air Volume (m <sup>3</sup> /h)	Speed (r/min)	Capacitor (µF)	Noise [dB(A)]	Max Environmental Temperature(°C)	Weight (Kg)
BMF-4D630-GH50-LDW	230/400 $\Delta/Y$	50	4300	11.8/6.8	15000	1370	-	81	60	64.0
BMF-6D630-GH50-LDW	230/400 $\Delta/Y$	50	1200	4.68/2.7	11750	900	-	76	50	44.0