



## EC Backward Centrifugal Fans

Material: PA66

Type of protection: IP44

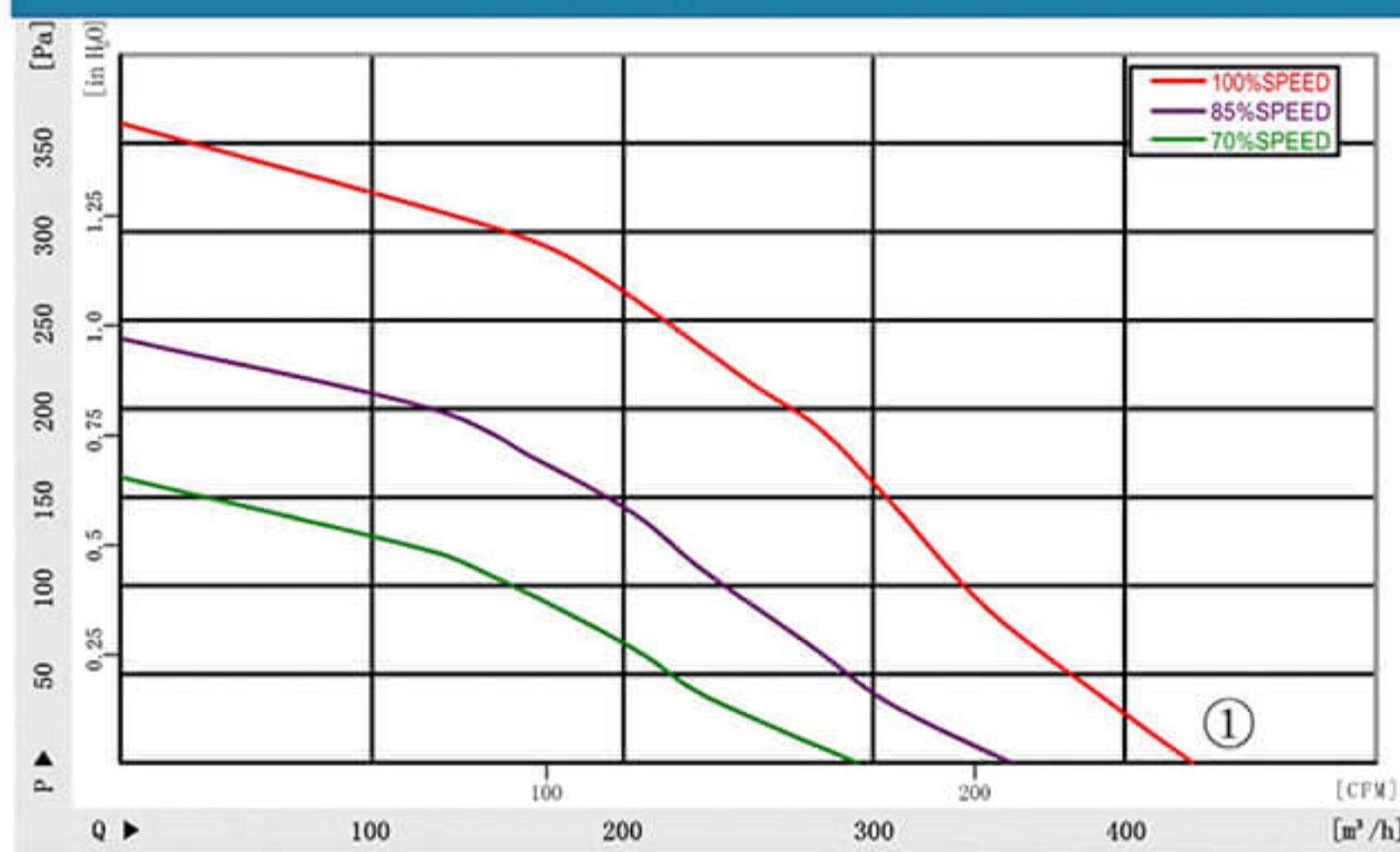
Approvals: CCC CE

Insulation class: B

### Specifications

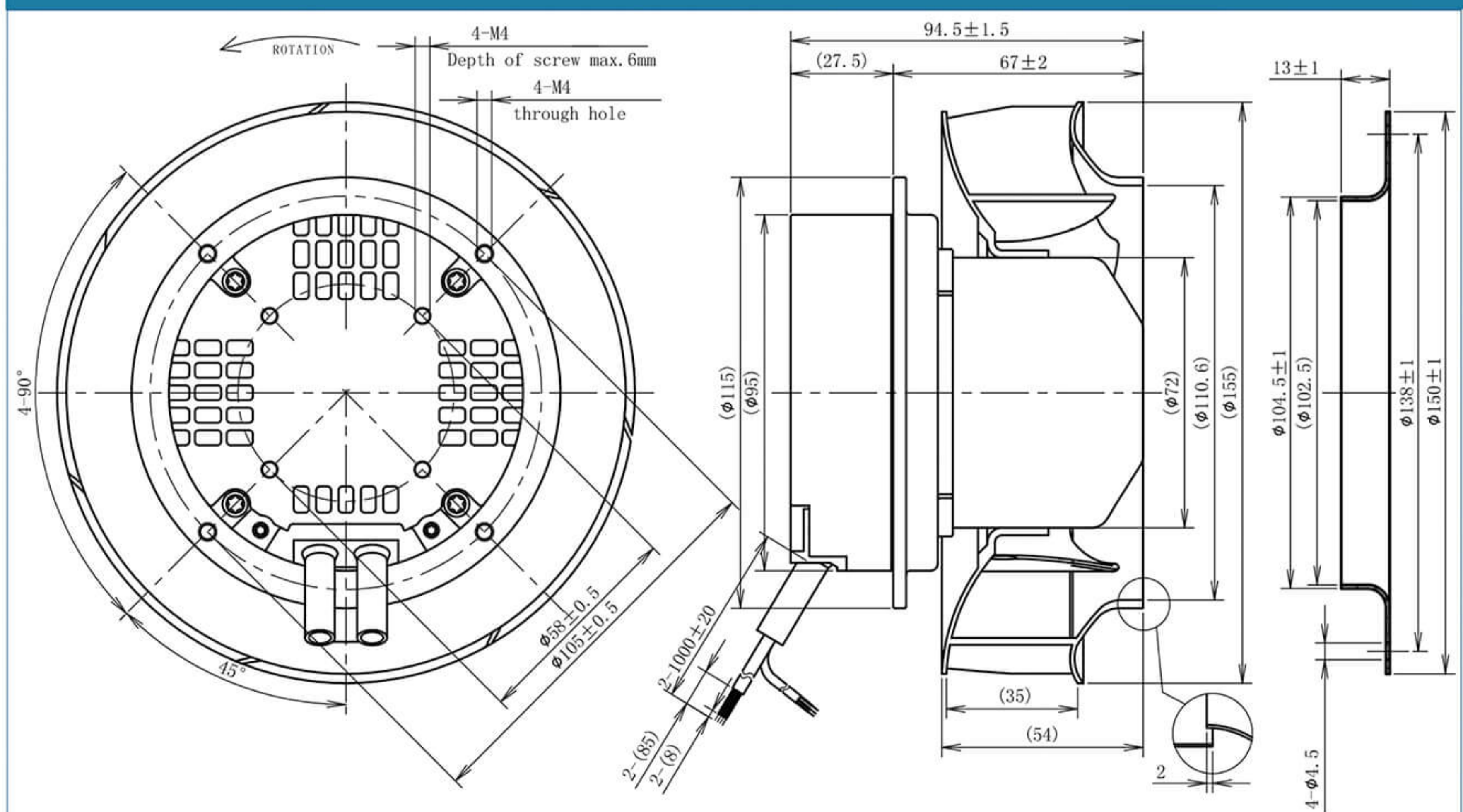
Type	Curve	Nominal voltage	Frequency	Speed	Power input	Current draw	Sound pressure level	Perm. amb. temp.
		[VAC]	[Hz]	[rpm]	[W]	[A]	[dB]	[°C]
BMF155-EC072-001	①	220	50/60	3570	40	0.3	63	-25~+60

### Curves



SIGNAL	COLOR	SPEC	SIGNAL	COLOR	SPEC
L	BROWN	AC220V 50/60Hz	Vcc	RED	DC10V
N	BLUE	AC220V 50/60Hz	Vsp	YELLOW	0-10VDC/PWM
PE	YELLOW/GREEN	EARTH	GND	BLUE	GND
			FG	WHITE	1 Pulse/R

### Dimensions





## EC Backward Centrifugal Fans

Material: PA66

Type of protection: IP44

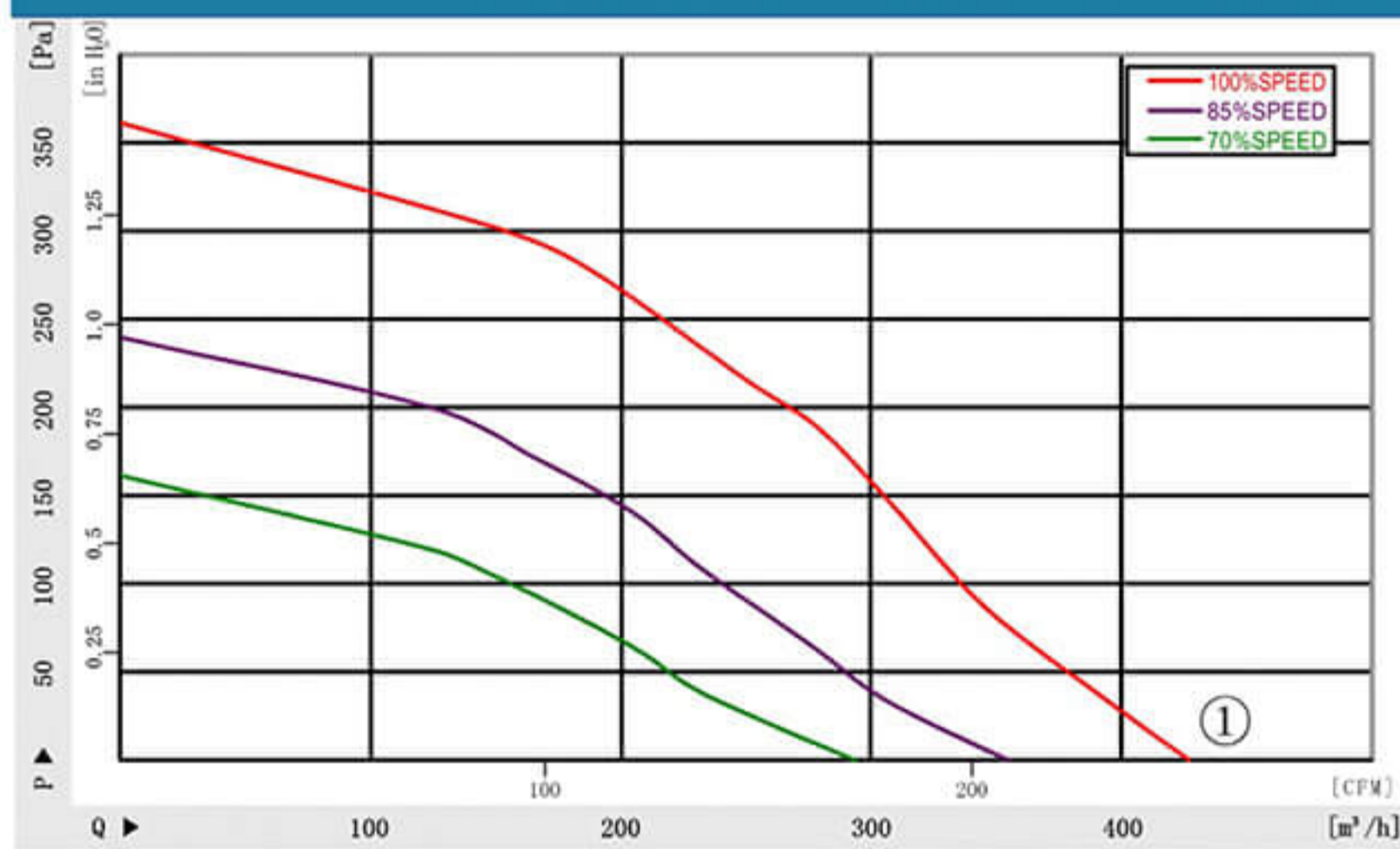
Approvals: CCC CE

Insulation class: B

### Specifications

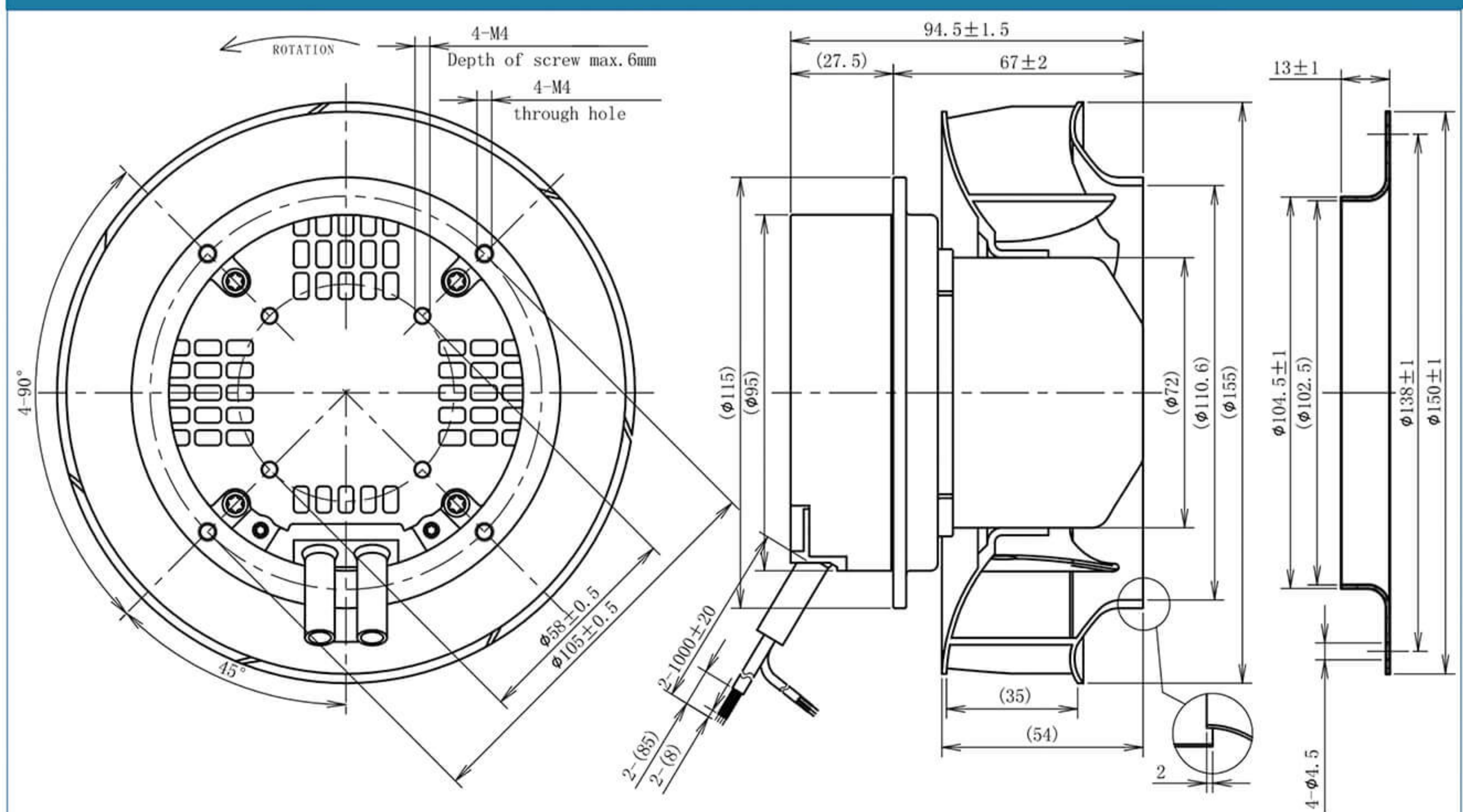
Type	Curve	Nominal voltage	Frequency	Speed	Power input	Current draw	Sound pressure level	Perm. amb. temp.
		[VAC]	[Hz]	[rpm]	[W]	[A]	[dB]	[°C]
BMF155-EC072-001	①	220	50/60	3570	40	0.3	63	-25~+60

### Curves



SIGNAL	COLOR	SPEC	SIGNAL	COLOR	SPEC
L	BROWN	AC220V 50/60Hz	Vcc	RED	DC10V
N	BLUE	AC220V 50/60Hz	Vsp	YELLOW	0-10VDC/PWM
PE	YELLOW/GREEN	EARTH	GND	BLUE	GND
			FG	WHITE	1 Pulse/R

### Dimensions





## EC Backward Centrifugal Fans

Material: PA66

Type of protection: IP44

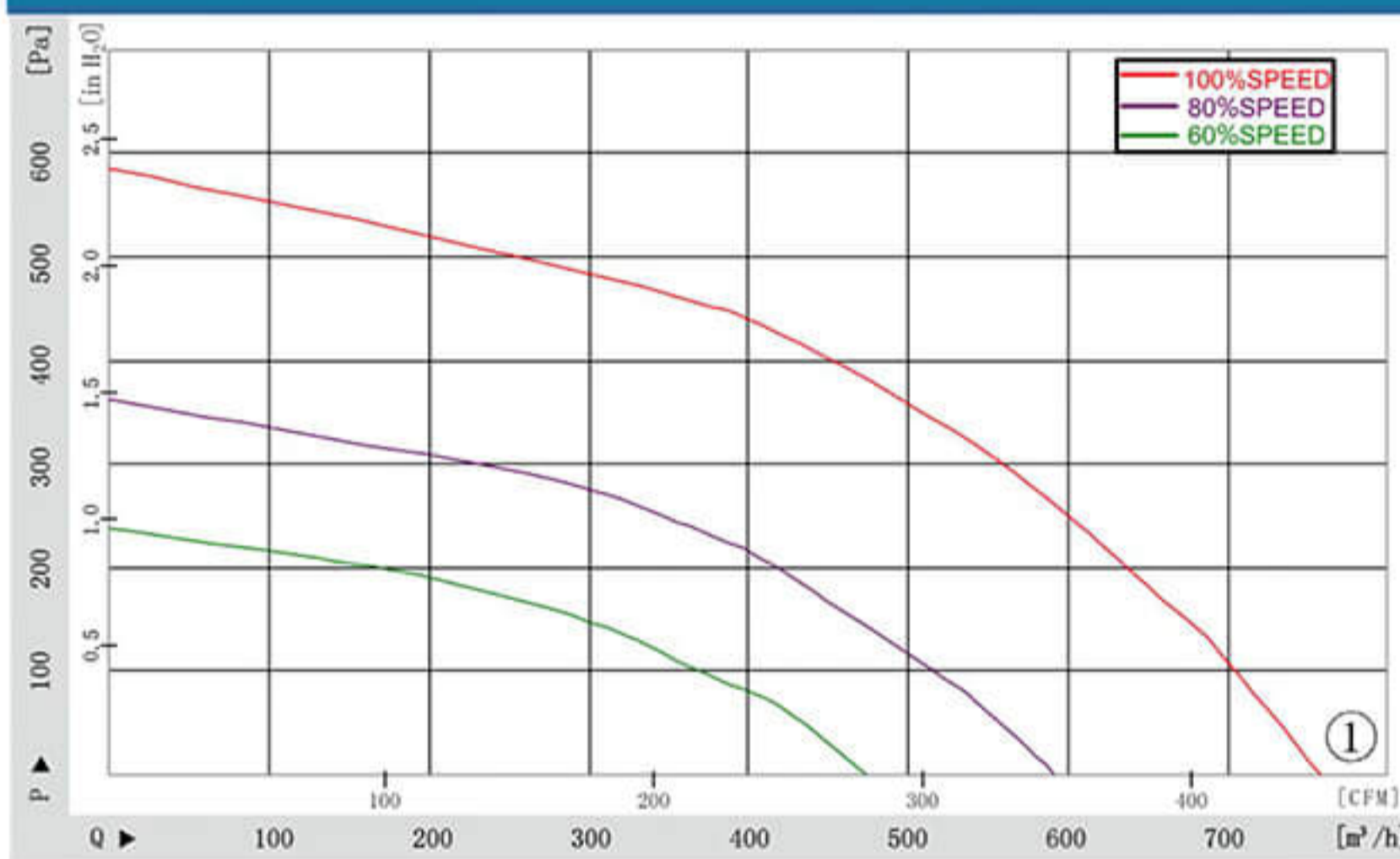
Approvals: CCC CE

Insulation class: B

### Specifications

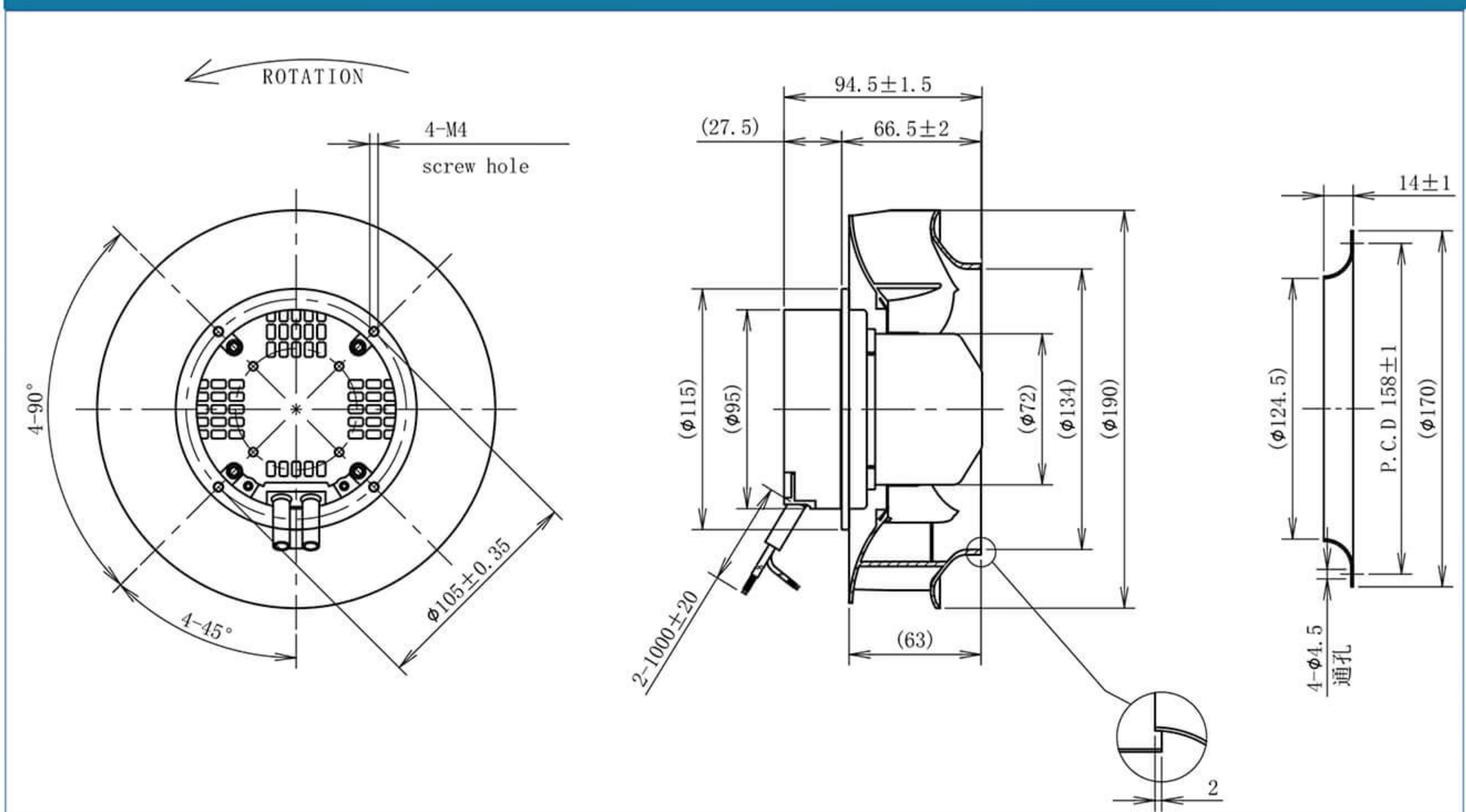
Type	Curve	Nominal voltage	Frequency	Speed	Power input	Current draw	Sound pressure level	Perm. amb. temp.
BMF190-EC072-002		[VAC]	[Hz]	[rpm]	[W]	[A]	[dB]	[°C]
	①	220	50/60	3570	95	0.73	78	-25~+60

### Curves



SIGNAL	COLOR	SPEC	SIGNAL	COLOR	SPEC
L	BROWN	AC220V 50/60Hz	Vcc	RED	DC10V
N	BLUE	AC220V 50/60Hz	Vsp	YELLOW	0-10VDC/PWM
PE	YELLOW/GREEN	EARTH	GND	BLUE	GND
			FG	WHITE	1 Pulse/R

### Dimensions





## EC Backward Centrifugal Fans

Material: PA66

Type of protection: IP44

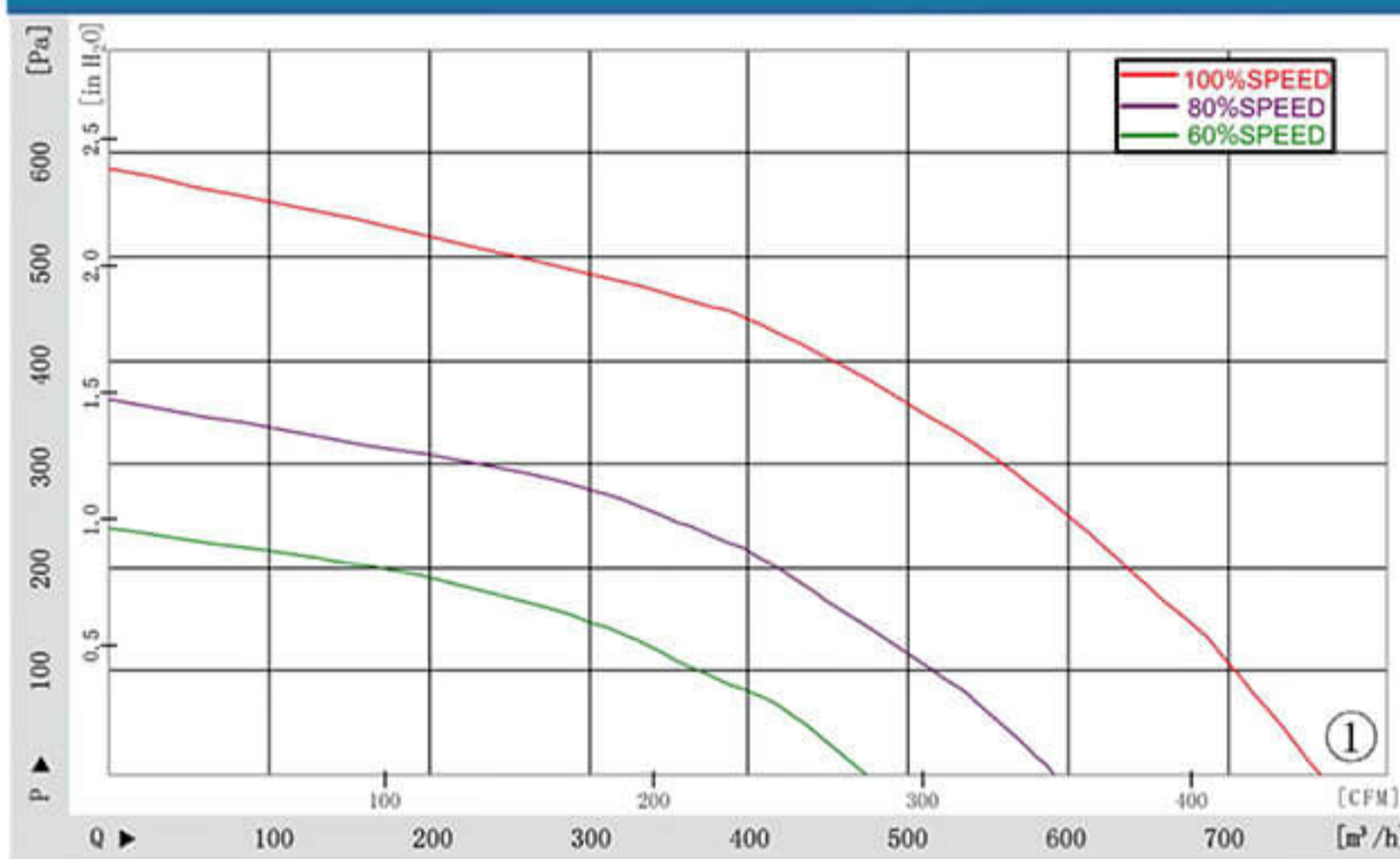
Approvals: CCC CE

Insulation class: B

### Specifications

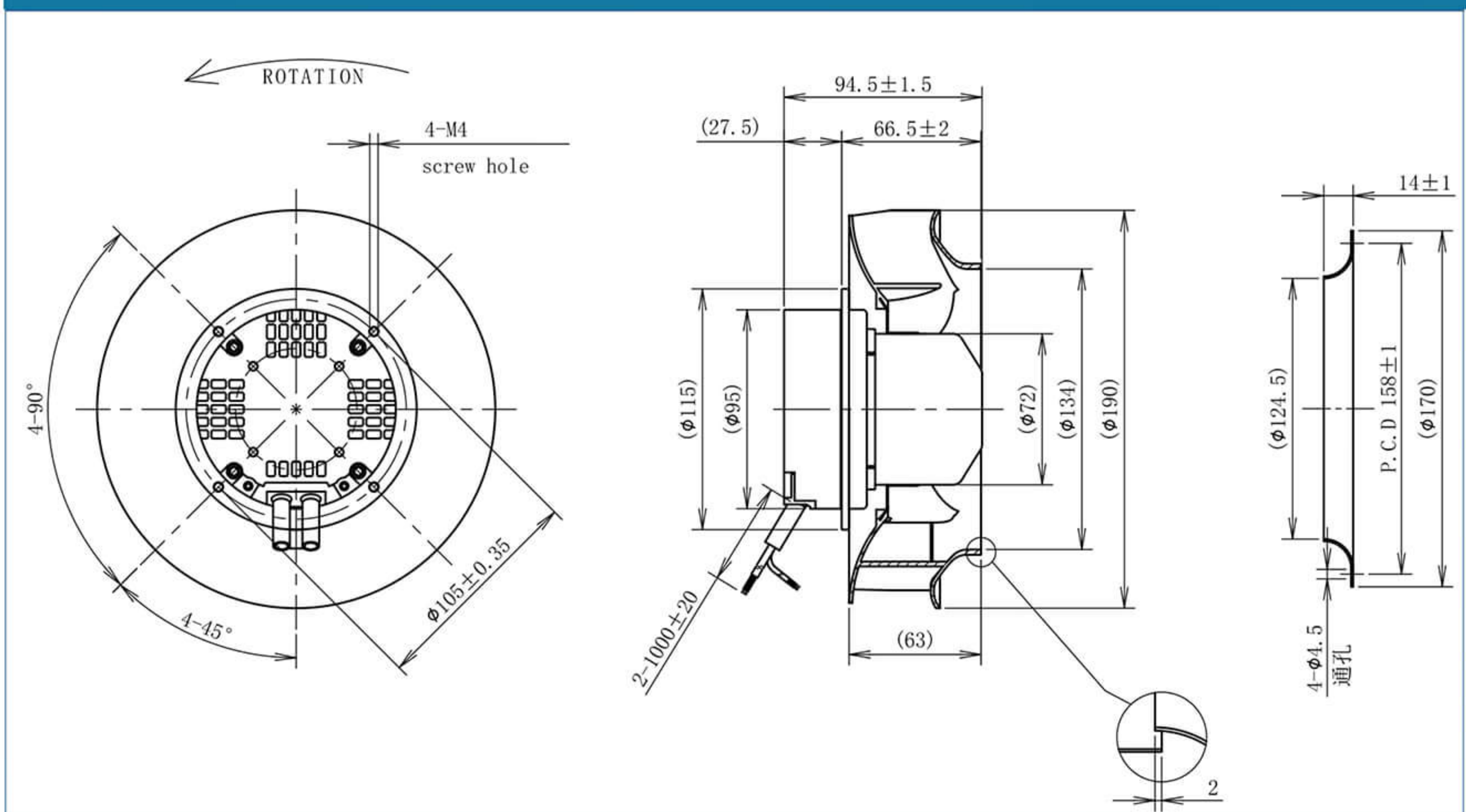
Type	Curve	Nominal voltage	Frequency	Speed	Power input	Current draw	Sound pressure level	Perm. amb. temp.
BMF190-EC072-002		[VAC]	[Hz]	[rpm]	[W]	[A]	[dB]	[°C]
	①	220	50/60	3570	95	0.73	78	-25~+60

### Curves



SIGNAL	COLOR	SPEC	SIGNAL	COLOR	SPEC
L	BROWN	AC220V 50/60Hz	Vcc	RED	DC10V
N	BLUE	AC220V 50/60Hz	Vsp	YELLOW	0-10VDC/PWM
PE	YELLOW/GREEN	EARTH	GND	BLUE	GND
			FG	WHITE	1 Pulse/R

### Dimensions





## EC Backward Centrifugal Fans

Material: PA66

Type of protection: IP44

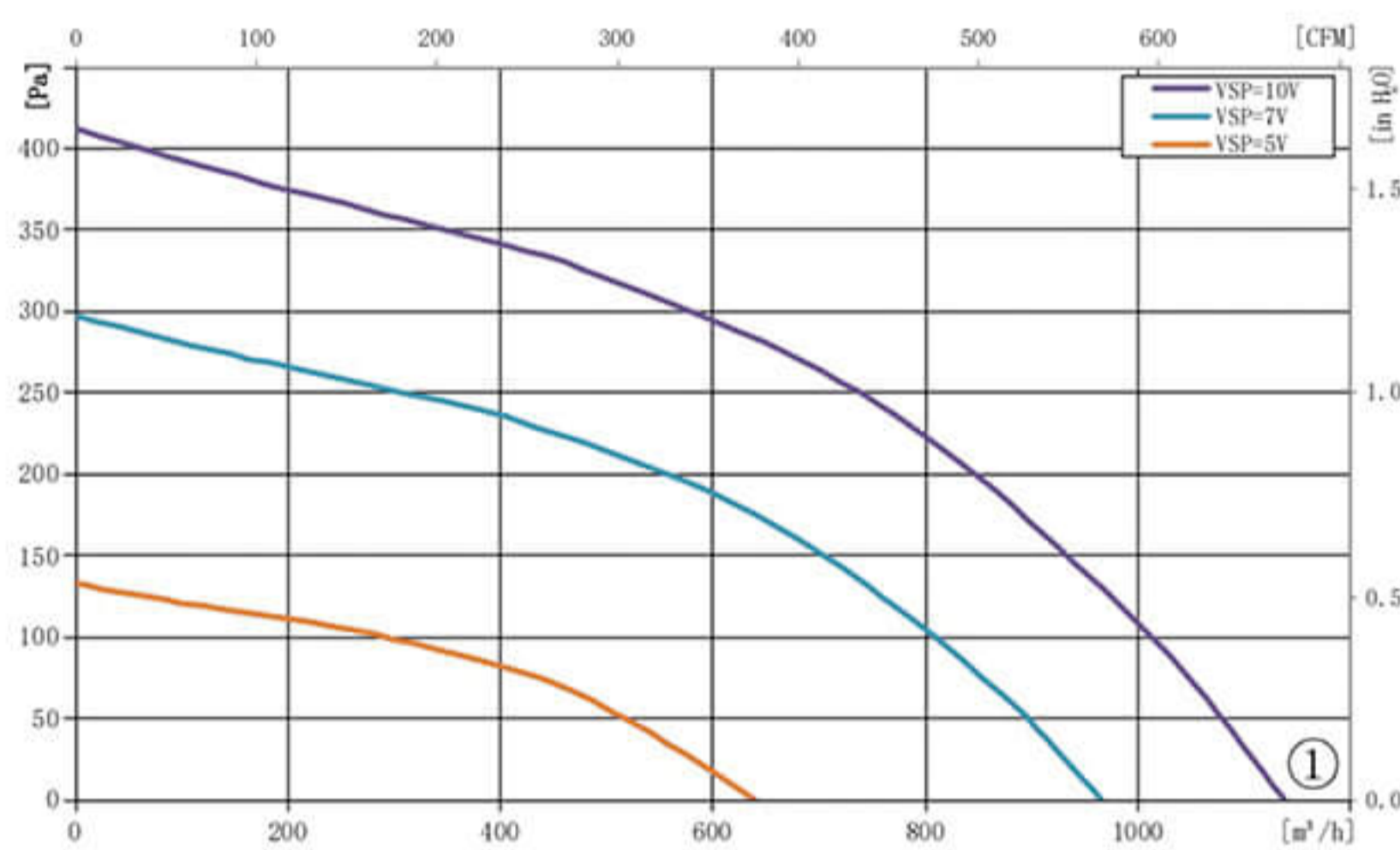
Approvals: CCC CE

Insulation class: B

### Specifications

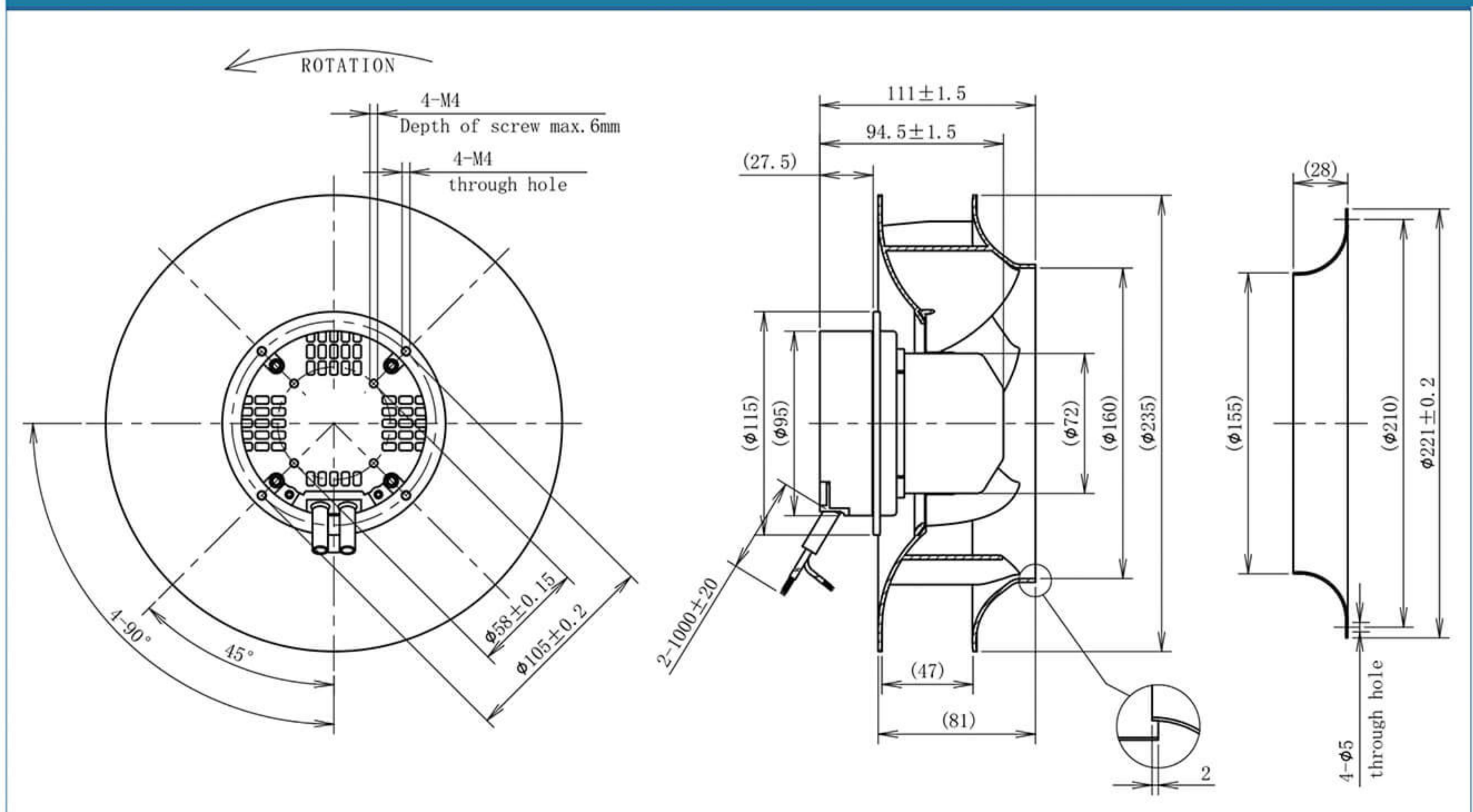
Type	Curve	Nominal voltage	Frequency	Speed	Power input	Current draw	Sound pressure level	Perm. amb. temp.
		[VAC]	[Hz]	[rpm]	[W]	[A]	[dB]	[°C]
BMF225-EC072-006	①	220	50/60	2250	100	0.8	63	-25~+60

### Curves



SIGNAL	COLOR	SPEC	SIGNAL	COLOR	SPEC
L	BROWN	AC220V 50/60Hz	Vcc	RED	DC10V
N	BLUE	AC220V 50/60Hz	Vsp	YELLOW	0-10VDC/PWM
PE	YELLOW/GREEN	EARTH	GND	BLUE	GND
			FG	WHITE	1 Pulse/R

### Dimensions





## EC Backward Centrifugal Fans

Material: PA66

Type of protection: IP44

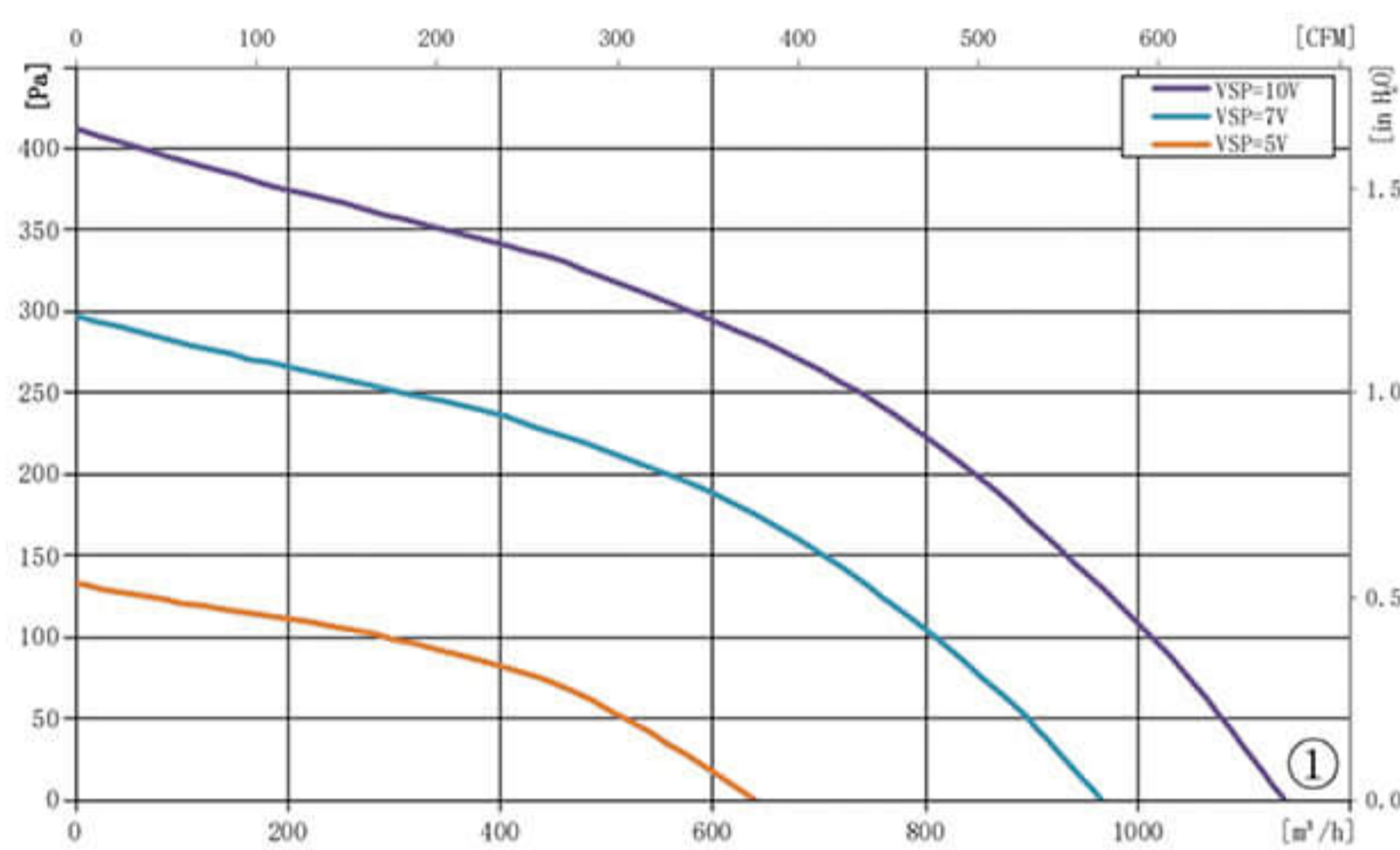
Approvals: CCC CE

Insulation class: B

### Specifications

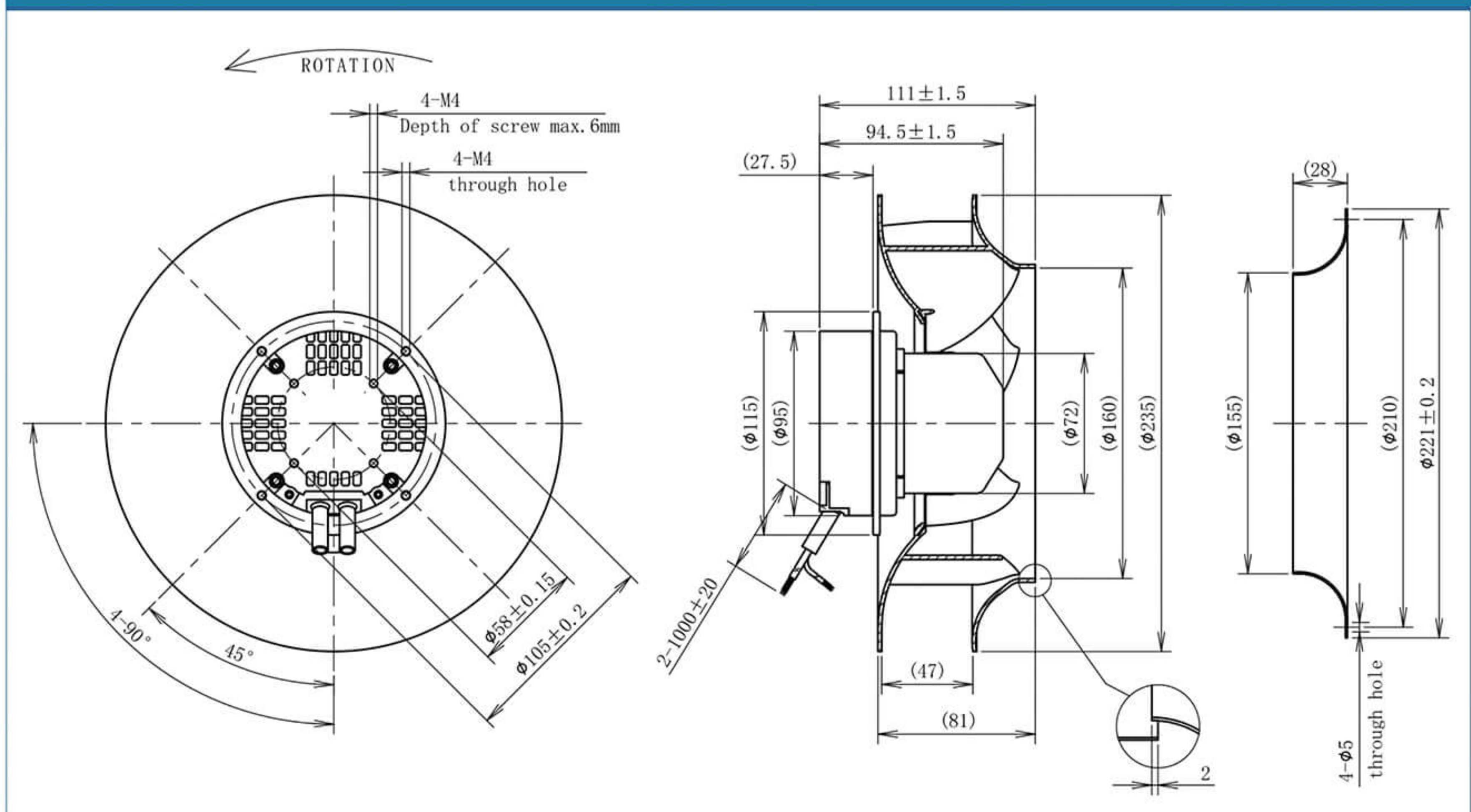
Type	Curve	Nominal voltage	Frequency	Speed	Power input	Current draw	Sound pressure level	Perm. amb. temp.
		[VAC]	[Hz]	[rpm]	[W]	[A]	[dB]	[°C]
BMF225-EC072-006	①	220	50/60	2250	100	0.8	63	-25~+60

### Curves



SIGNAL	COLOR	SPEC	SIGNAL	COLOR	SPEC
L	BROWN	AC220V 50/60Hz	Vcc	RED	DC10V
N	BLUE	AC220V 50/60Hz	Vsp	YELLOW	0-10VDC/PWM
PE	YELLOW/GREEN	EARTH	GND	BLUE	GND
			FG	WHITE	1 Pulse/R

### Dimensions





## EC Backward Centrifugal Fans

Material: PA66

Type of protection: IP44

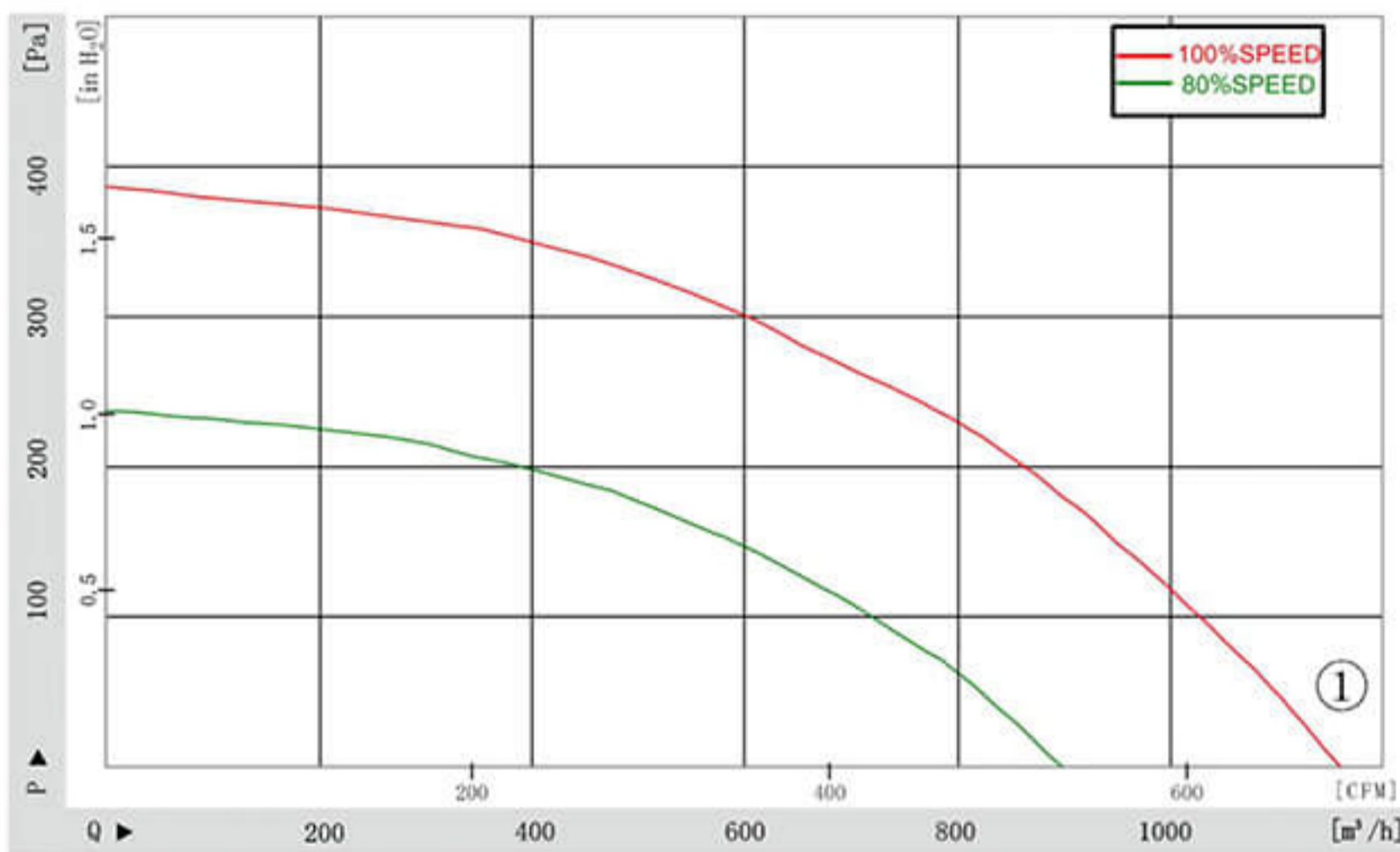
Approvals: CCC CE

Insulation class: B

### Specifications

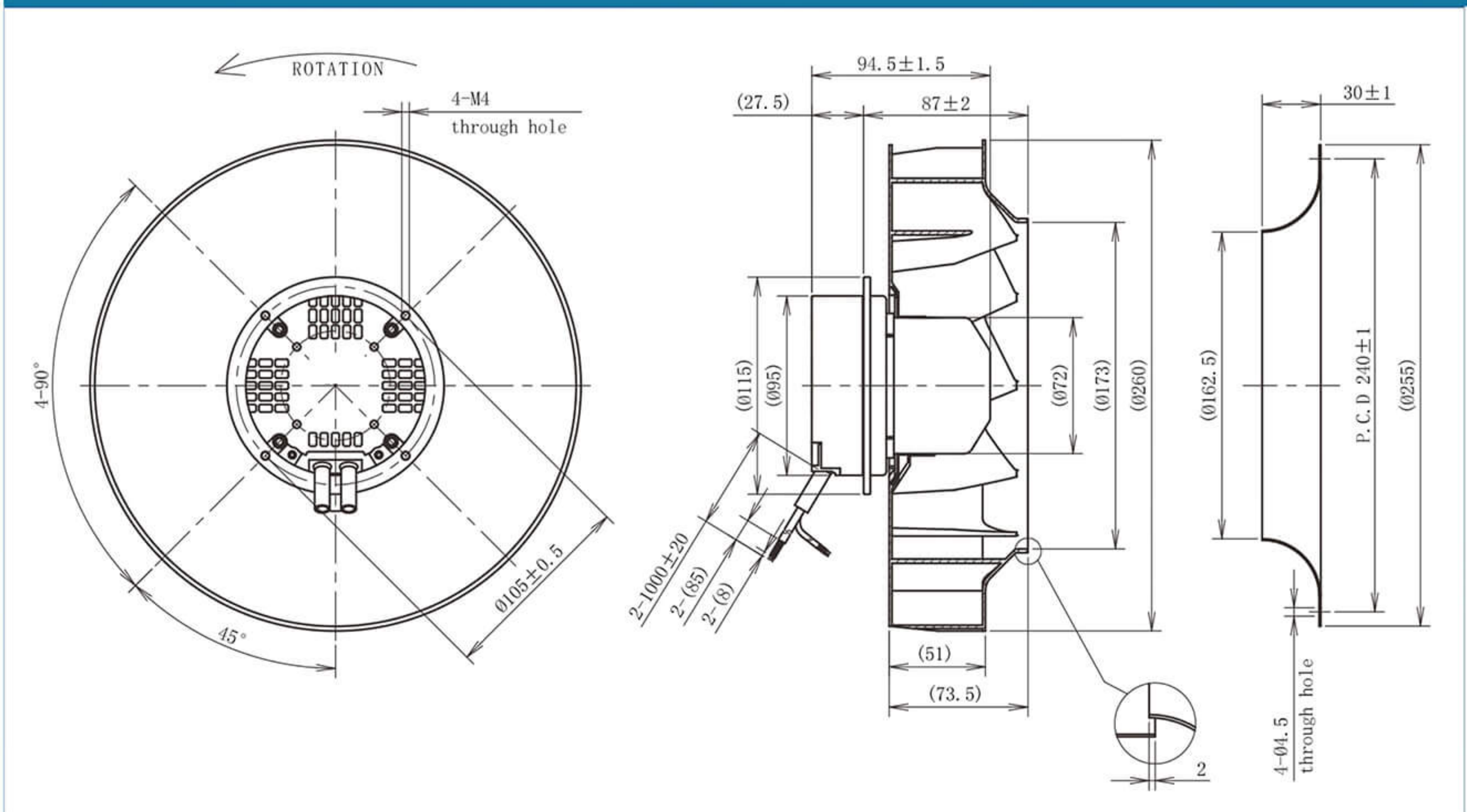
Type	Curve	Nominal voltage	Frequency	Speed	Power input	Current draw	Sound pressure level	Perm. amb. temp.
		[VAC]	[Hz]	[rpm]	[W]	[A]	[dB]	[°C]
BMF250-EC072-008	①	220	50/60	2150	90	0.8	68	-25~+60

### Curves



SIGNAL	COLOR	SPEC	SIGNAL	COLOR	SPEC
L	BROWN	AC220V 50/60Hz	Vcc	RED	DC10V
N	BLUE	AC220V 50/60Hz	Vsp	YELLOW	0-10VDC/PWM
PE	YELLOW/GREEN	EARTH	GND	BLUE	GND
			FG	WHITE	1 Pulse/R

### Dimensions





## EC Backward Centrifugal Fans

Material: PA66

Type of protection: IP44

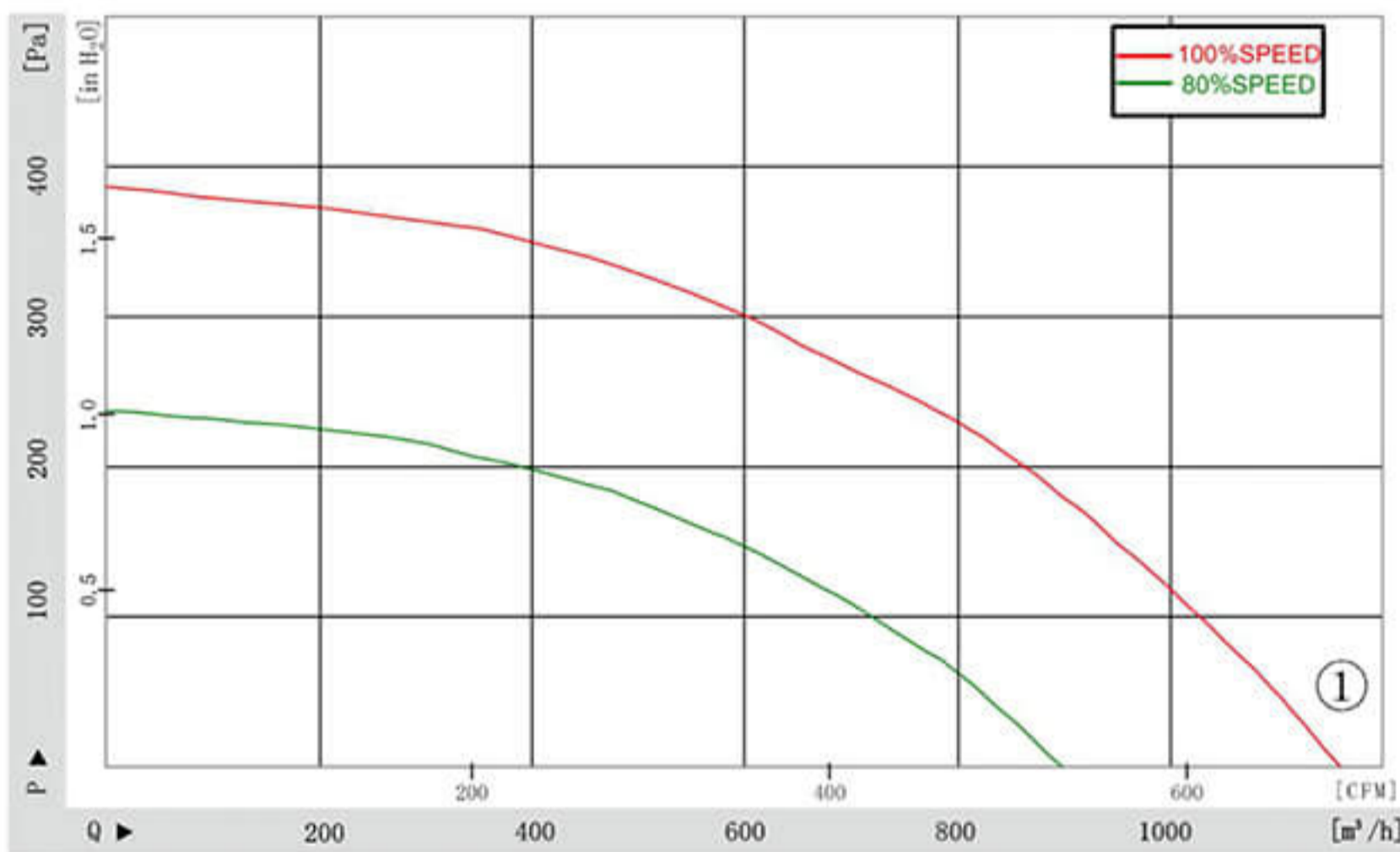
Approvals: CCC CE

Insulation class: B

### Specifications

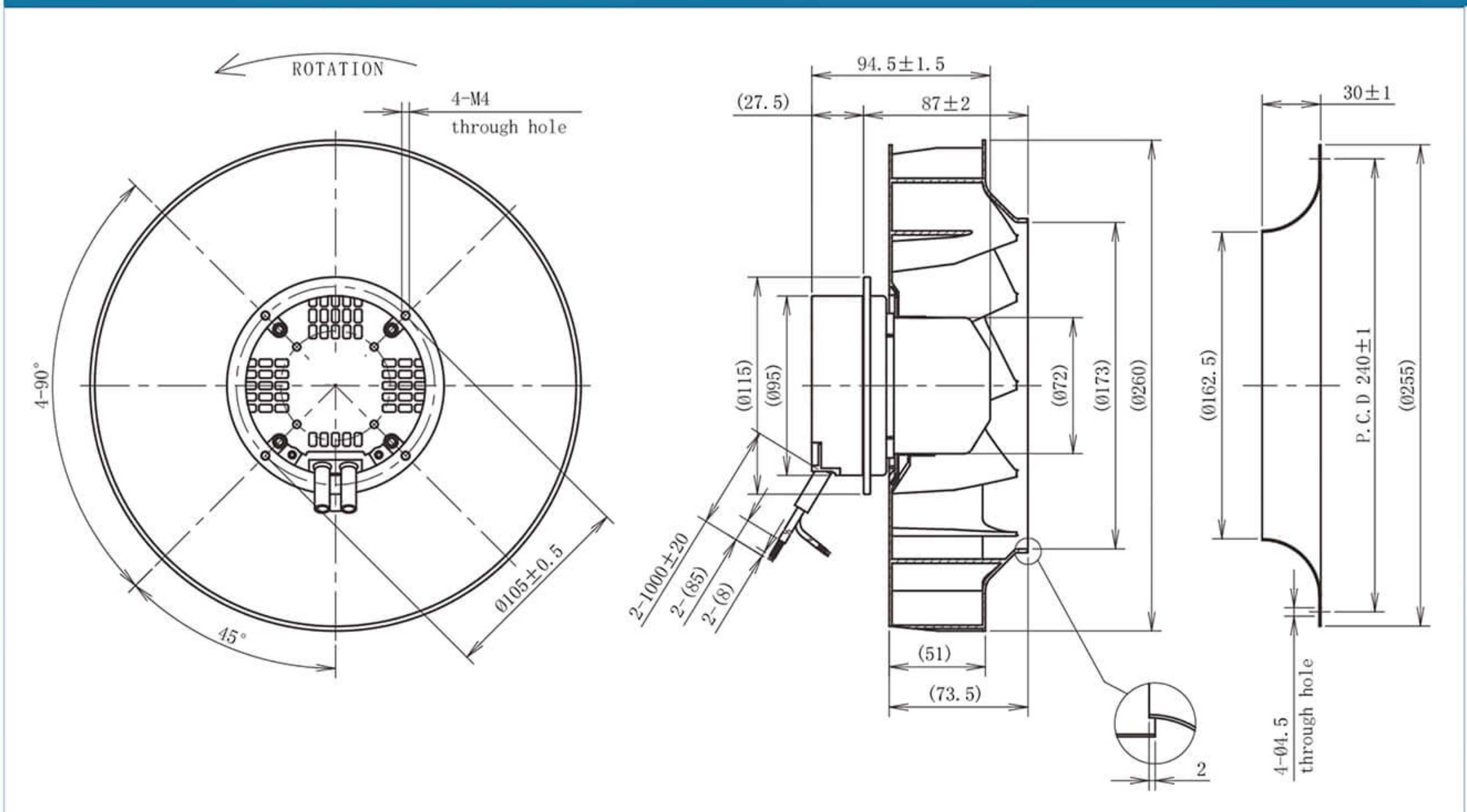
Type	Curve	Nominal voltage	Frequency	Speed	Power input	Current draw	Sound pressure level	Perm. amb. temp.
		[VAC]	[Hz]	[rpm]	[W]	[A]	[dB]	[°C]
BMF250-EC072-008	①	220	50/60	2150	90	0.8	68	-25~+60

### Curves



SIGNAL	COLOR	SPEC	SIGNAL	COLOR	SPEC
L	BROWN	AC220V 50/60Hz	Vcc	RED	DC10V
N	BLUE	AC220V 50/60Hz	Vsp	YELLOW	0-10VDC/PWM
PE	YELLOW/GREEN	EARTH	GND	BLUE	GND
			FG	WHITE	1 Pulse/R

### Dimensions









## EC Backward Centrifugal Fans

Material: PA66

Type of protection: IP44

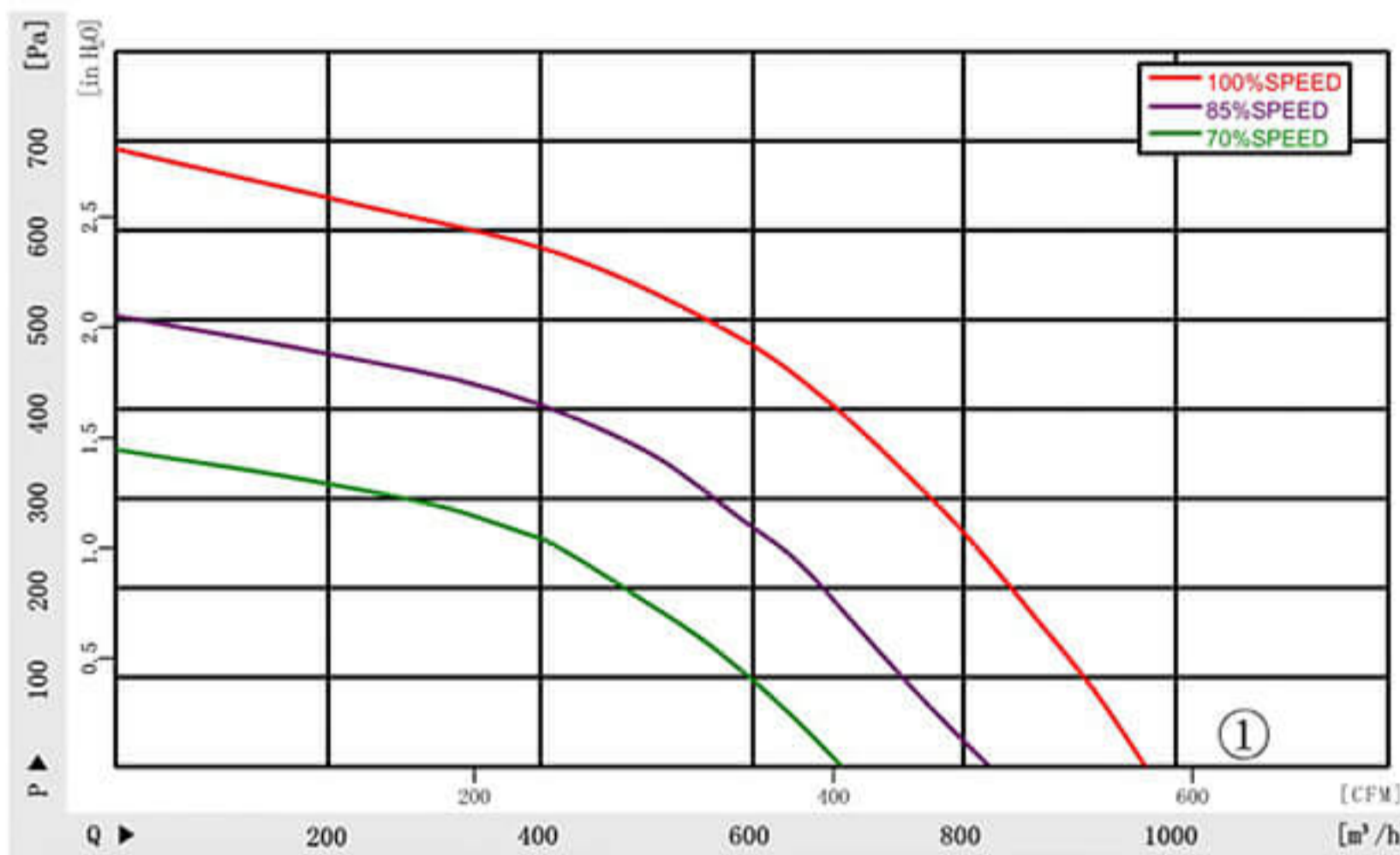
Approvals: CCC CE

Insulation class: B

### Specifications

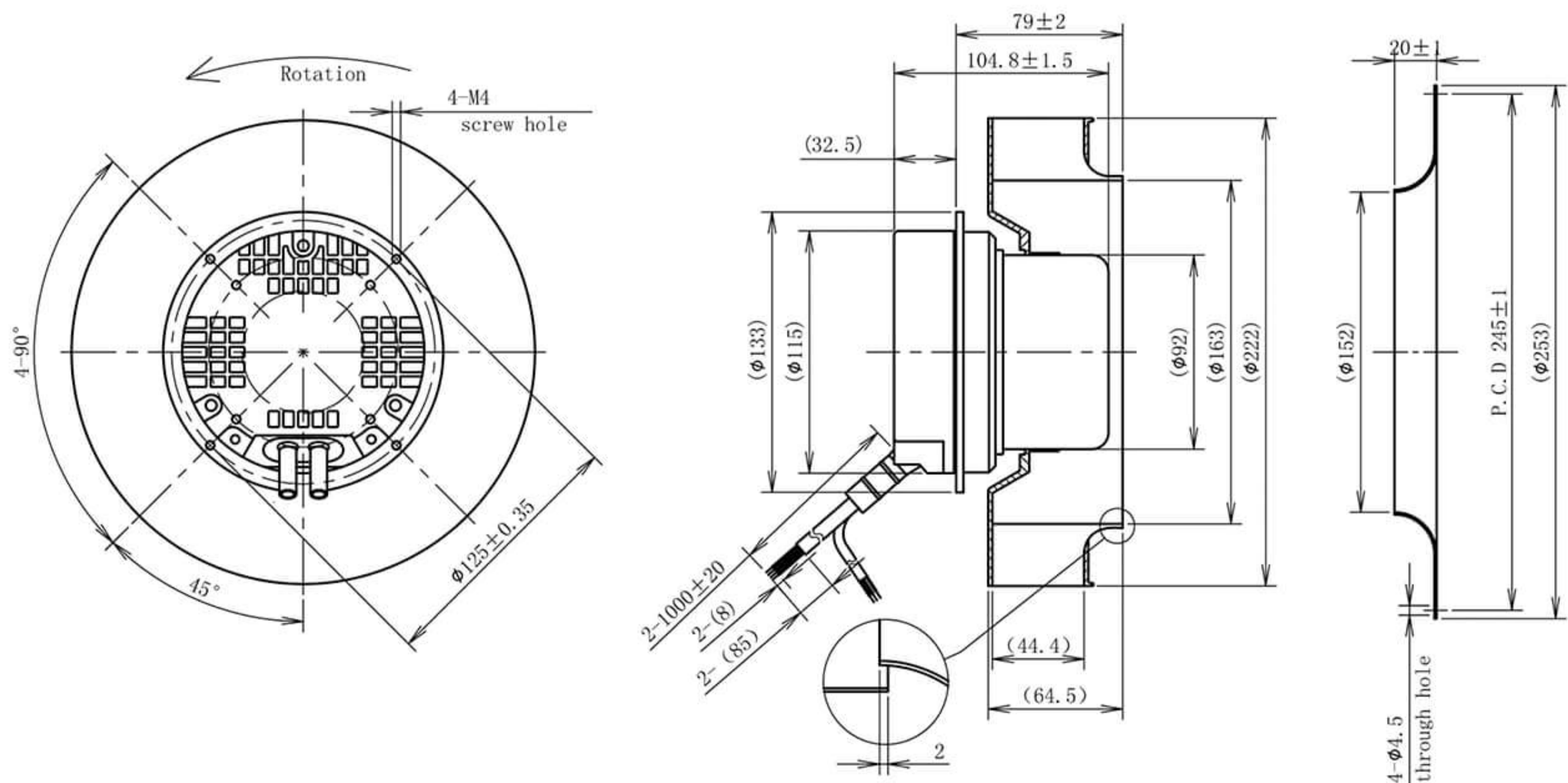
Type	Curve	Nominal voltage	Frequency	Speed	Power input	Current draw	Sound pressure level	Perm. amb. temp.
BMF220-EC092-100		[VAC]	[Hz]	[rpm]	[W]	[A]	[dB]	[°C]
	①	220	50/60	3310	145	1.0	75	-25~+60

### Curves



SIGNAL	COLOR	SPEC	SIGNAL	COLOR	SPEC
L	BROWN	AC220V 50/60Hz	Vcc	RED	DC10V
N	BLUE	AC220V 50/60Hz	Vsp	YELLOW	0-10VDC/PWM
PE	YELLOW/GREEN	EARTH	GND	BLUE	GND
			FG	WHITE	1 Pulse/R

### Dimensions





## EC Backward Centrifugal Fans

Material: PA66

Type of protection: IP44

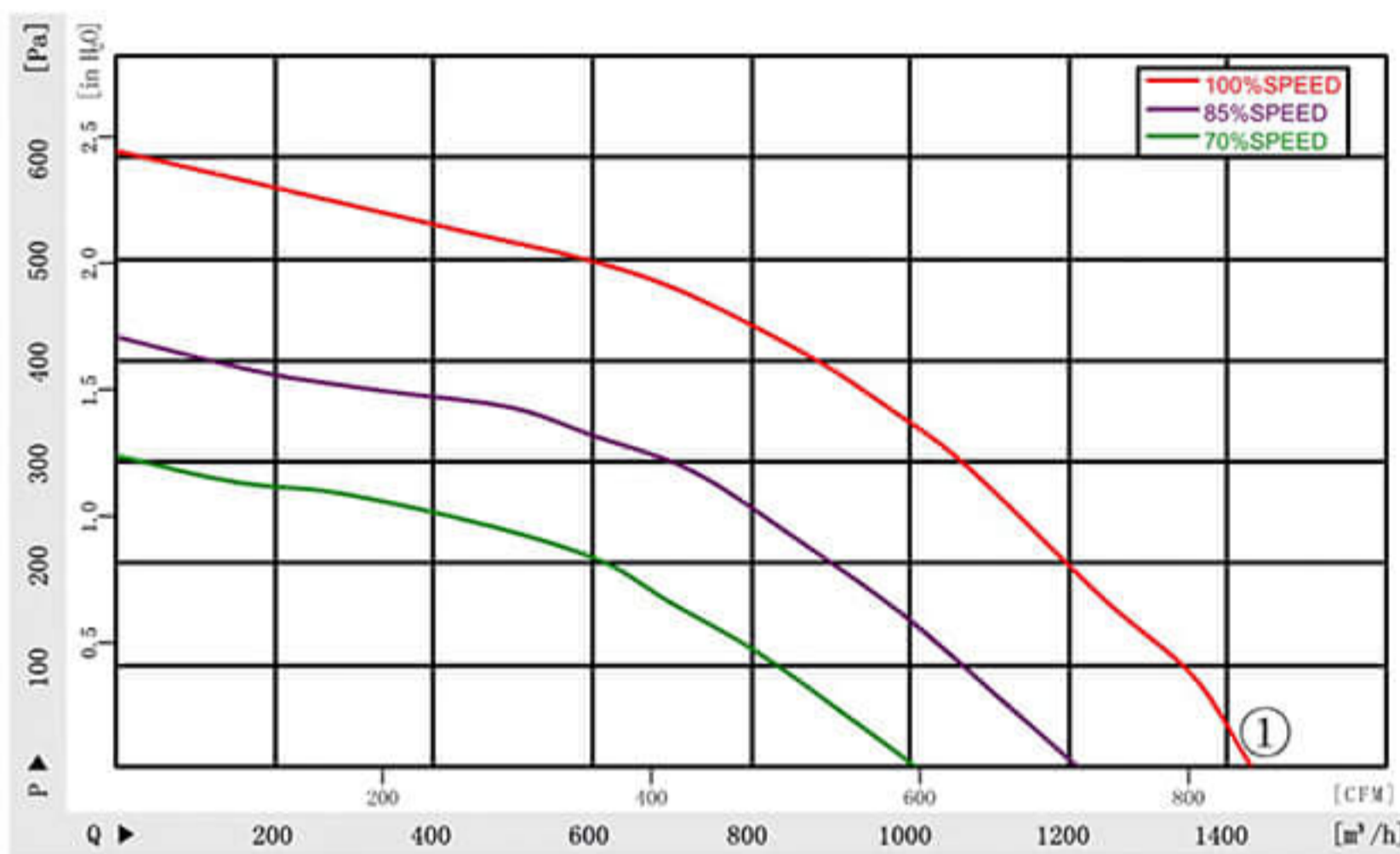
Approvals: CCC CE

Insulation class: B

### Specifications

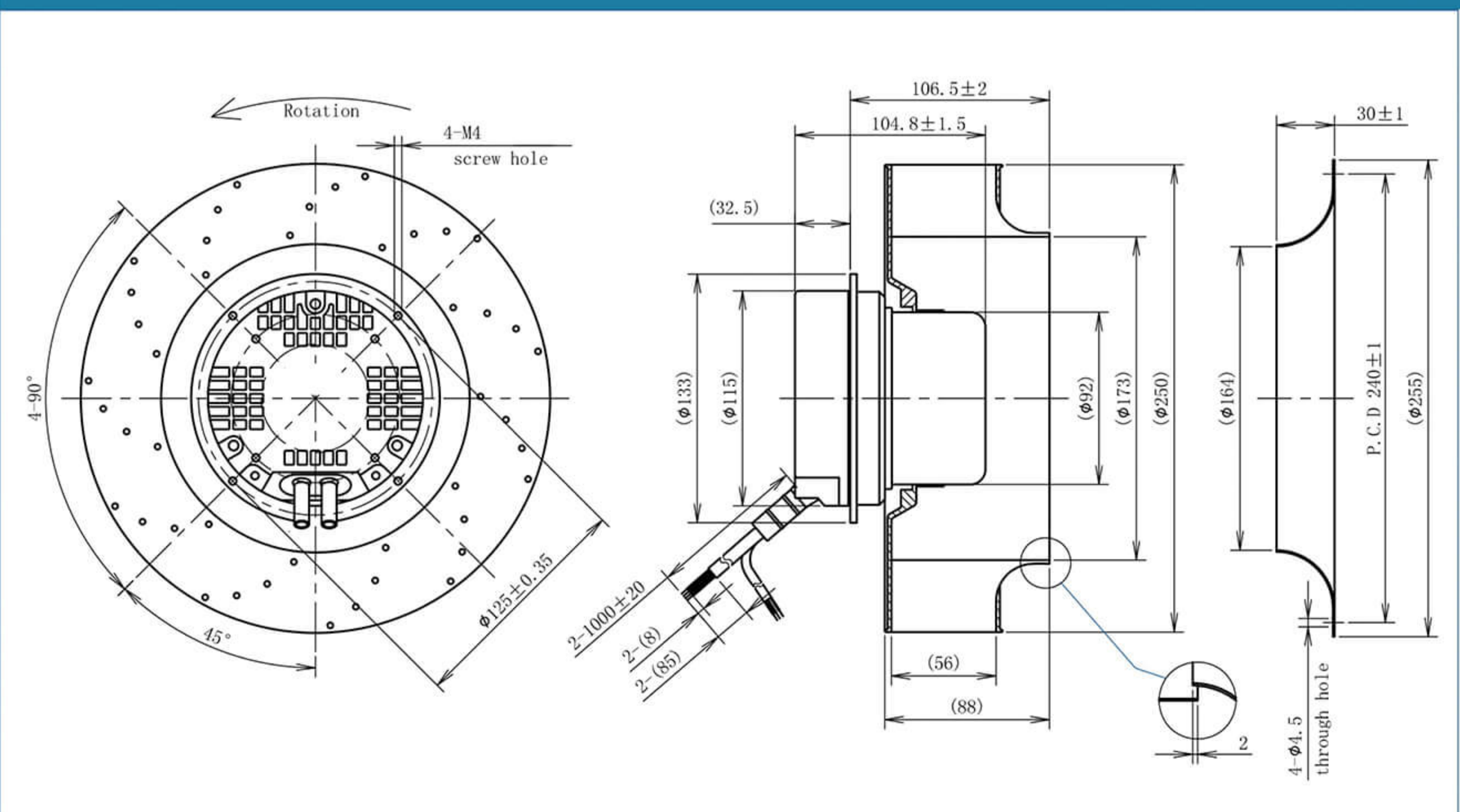
Type	Curve	Nominal voltage	Frequency	Speed	Power input	Current draw	Sound pressure level	Perm. amb. temp.
		[VAC]	[Hz]	[rpm]	[W]	[A]	[dB]	[°C]
BMP250-EC092-003	①	220	50/60	2850	130	0.87	75	-25~+60

### Curves



SIGNAL	COLOR	SPEC	SIGNAL	COLOR	SPEC
L	BROWN	AC220V/50Hz	Vcc	RED	DC10V
N	BLUE	AC220V/50Hz	Vsp	YELLOW	0-10VDC/PWM
PE	YELLOW/GREEN	EARTH	GND	BLUE	GND
			FG	WHITE	1 Pulse/R

### Dimensions





## EC Backward Centrifugal Fans

Material: PA66

Type of protection: IP44

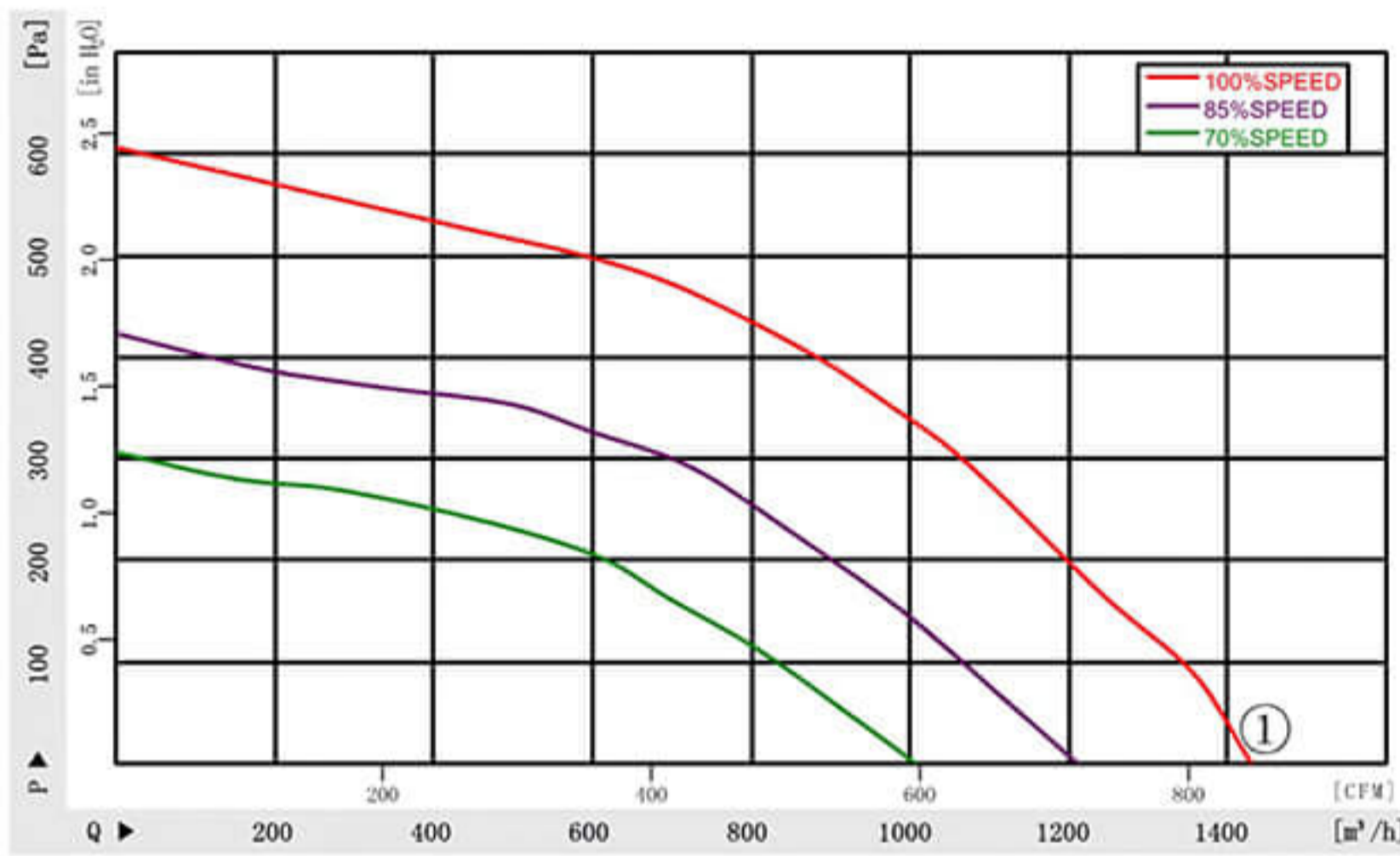
Approvals: CCC CE

Insulation class: B

### Specifications

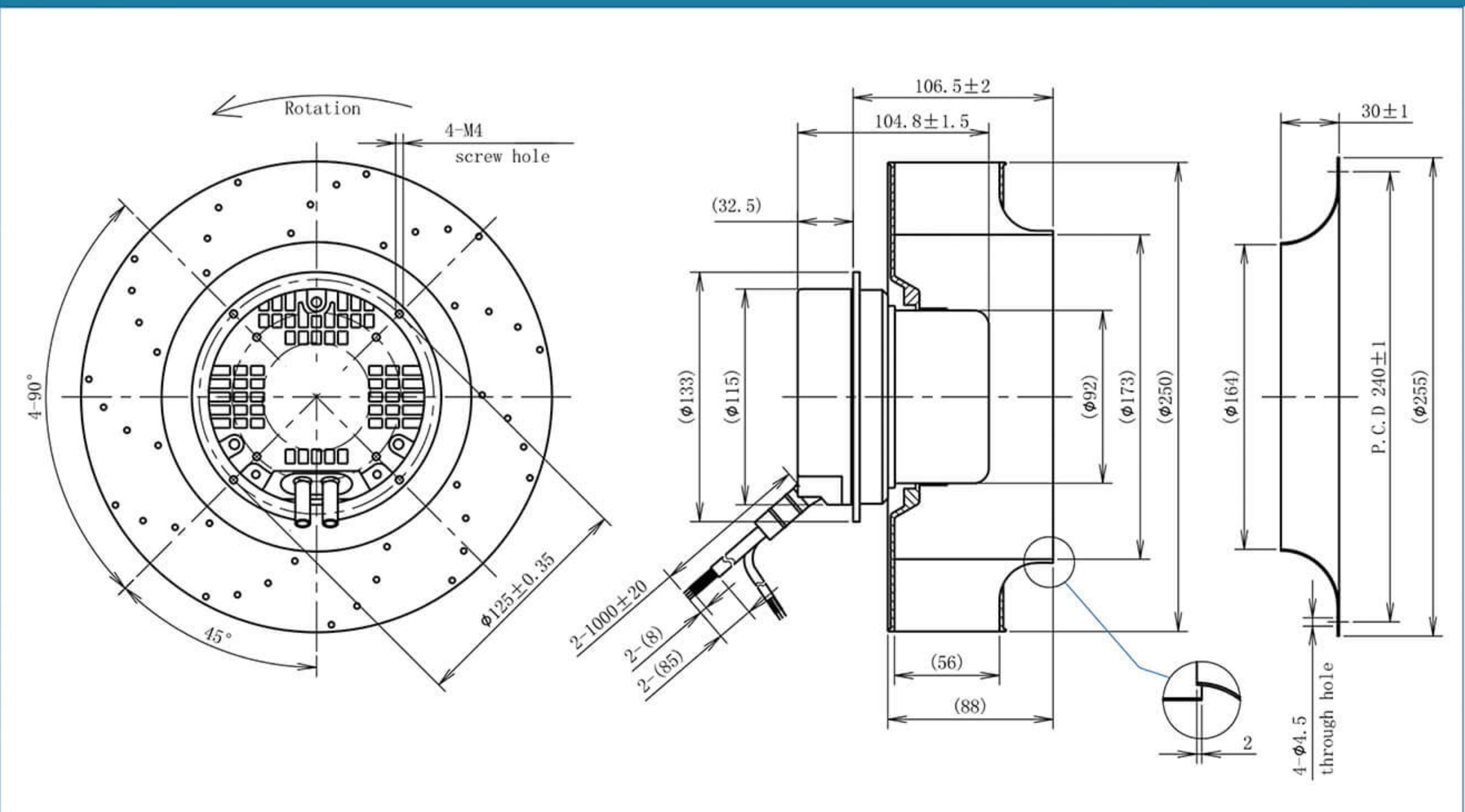
Type	Curve	Nominal voltage	Frequency	Speed	Power input	Current draw	Sound pressure level	Perm. amb. temp.
		[VAC]	[Hz]	[rpm]	[W]	[A]	[dB]	[°C]
BMP250-EC092-003	①	220	50/60	2850	130	0.87	75	-25~+60

### Curves



SIGNAL	COLOR	SPEC	SIGNAL	COLOR	SPEC
L	BROWN	AC220V/50Hz	Vcc	RED	DC10V
N	BLUE	AC220V/50Hz	Vsp	YELLOW	0-10VDC/PWM
PE	YELLOW/GREEN	EARTH	GND	BLUE	GND
			FG	WHITE	1 Pulse/R

### Dimensions





## EC Backward Centrifugal Fans

Material: Sheet aluminium

Type of protection: IP44

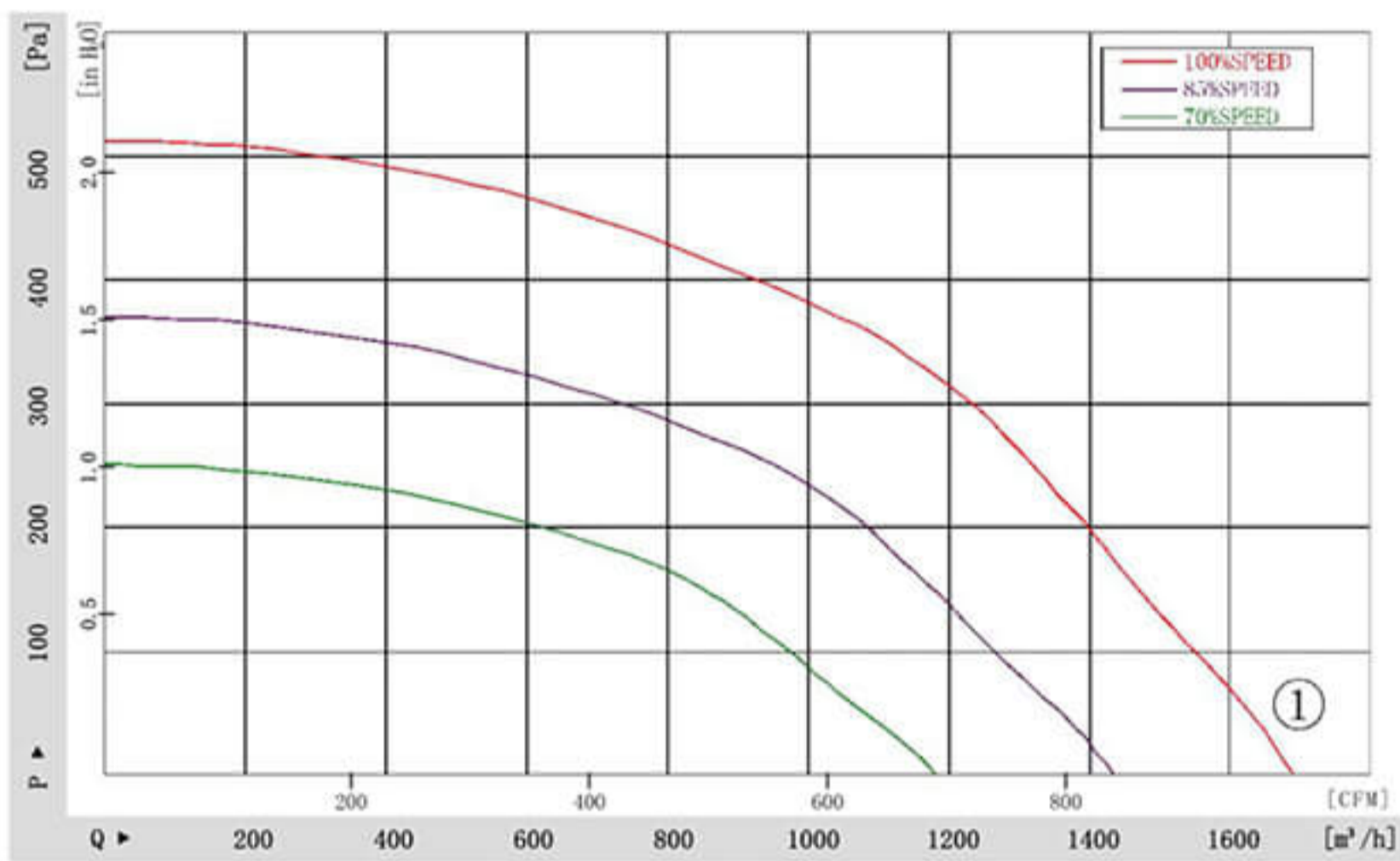
Approvals: CCC CE

Insulation class: B

### Specifications

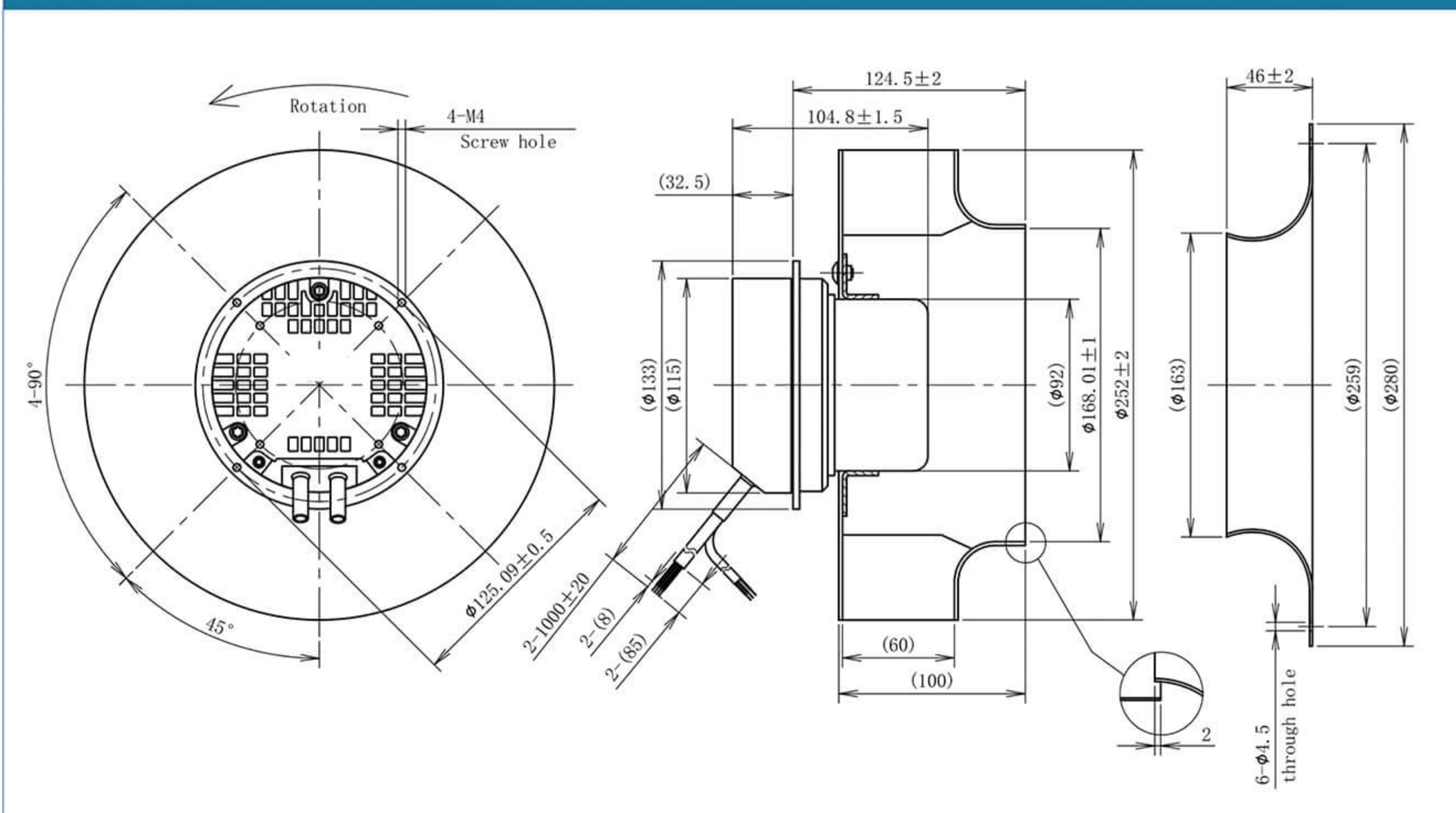
Type	Curve	Nominal voltage	Frequency	Speed	Power input	Current draw	Sound pressure level	Perm. amb. temp.
BMF250-EC092-033		[VAC]	[Hz]	[rpm]	[W]	[A]	[dB]	[°C]
	①	220	50/60	2500	145	1.0	74	-25~+60

### Curves



SIGNAL	COLOR	SPEC	SIGNAL	COLOR	SPEC
L	BROWN	AC220V/50Hz	Vcc	RED	DC10V
N	BLUE	AC220V/50Hz	Vsp	YELLOW	0-10VDC/PWM
PE	YELLOW/GREEN	EARTH	GND	BLUE	GND
			FG	WHITE	1 Pulse/R

### Dimensions





## EC Backward Centrifugal Fans

Material: Sheet aluminium

Type of protection: IP44

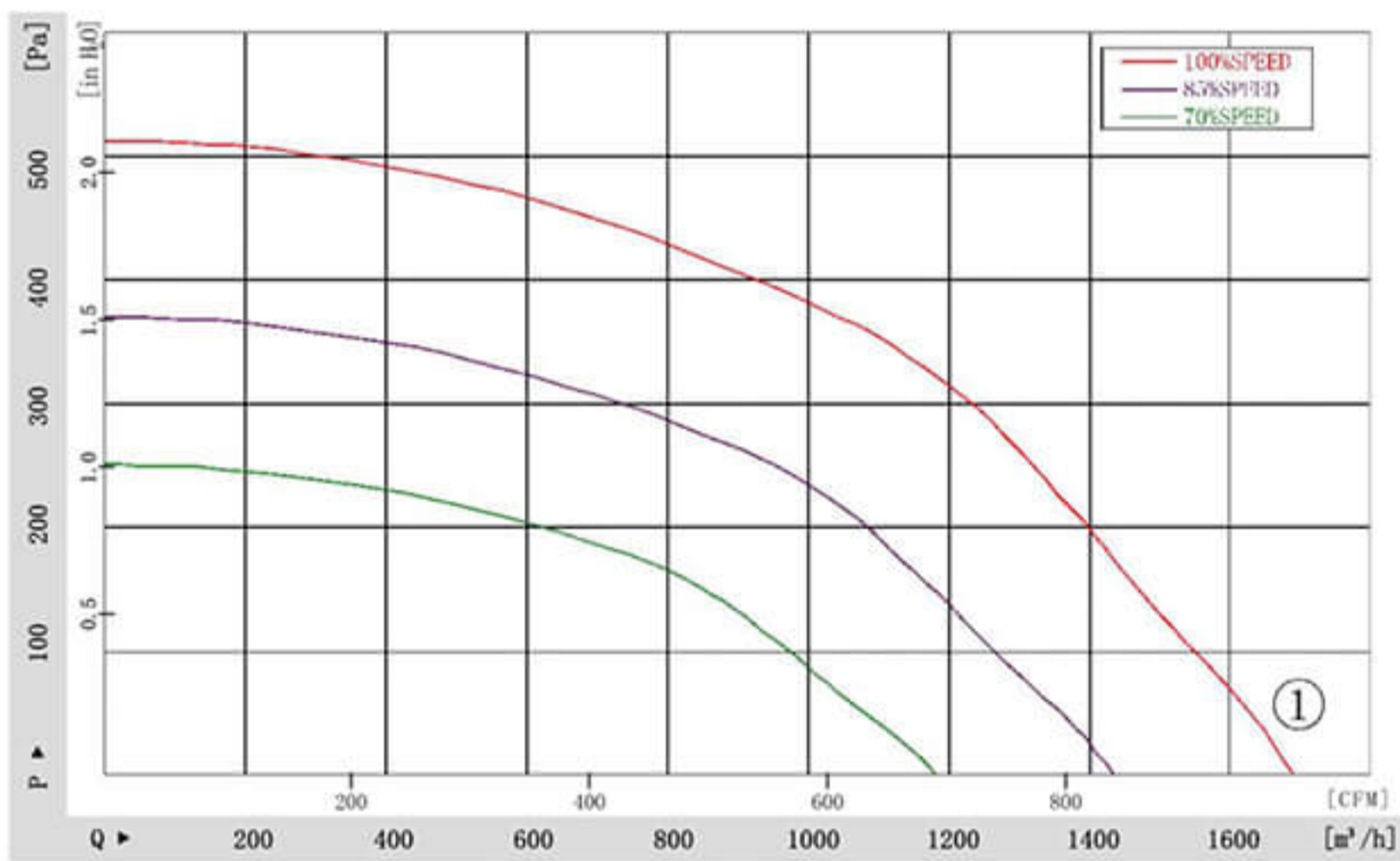
Approvals: CCC CE

Insulation class: B

### Specifications

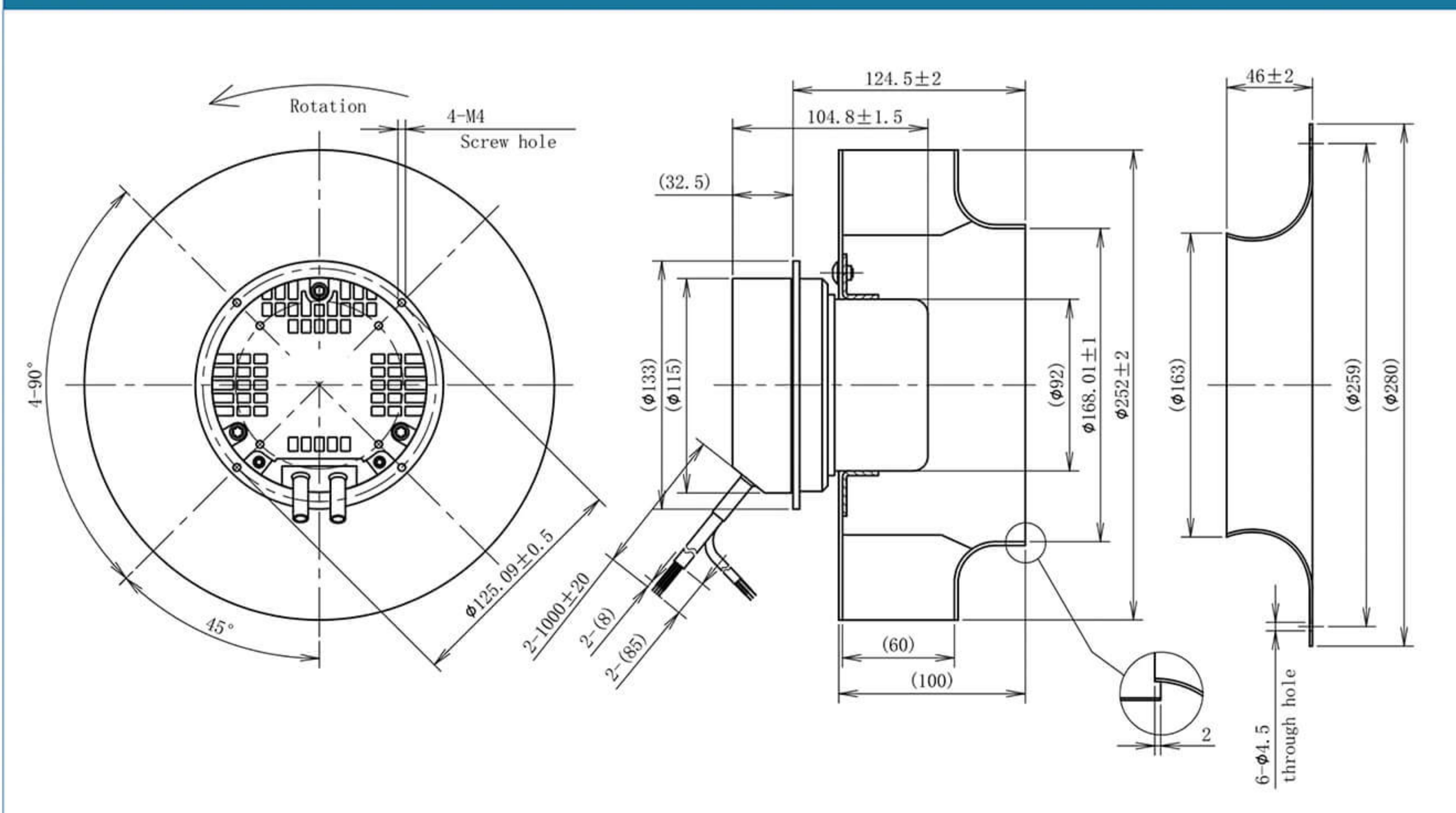
Type	Curve	Nominal voltage	Frequency	Speed	Power input	Current draw	Sound pressure level	Perm. amb. temp.
		[VAC]	[Hz]	[rpm]	[W]	[A]	[dB]	[°C]
BMF250-EC092-033	①	220	50/60	2500	145	1.0	74	-25~+60

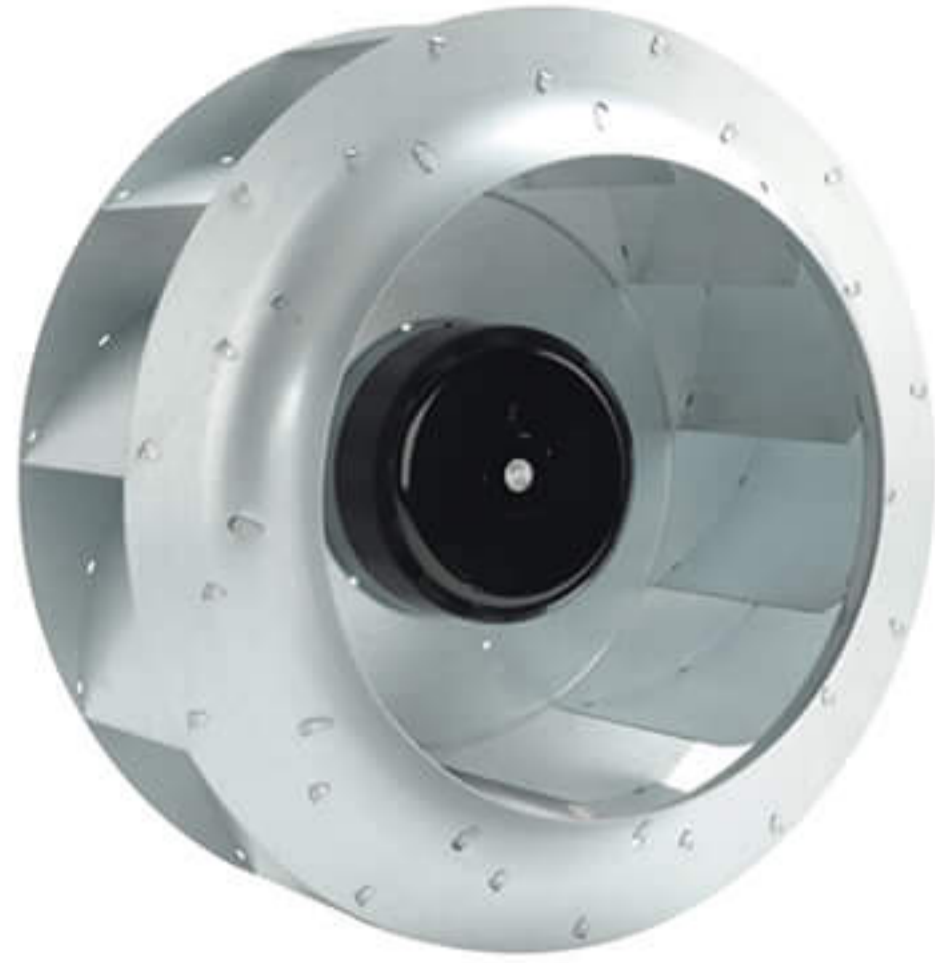
### Curves



SIGNAL	COLOR	SPEC	SIGNAL	COLOR	SPEC
L	BROWN	AC220V/50Hz	Vcc	RED	DC10V
N	BLUE	AC220V/50Hz	Vsp	YELLOW	0-10VDC/PWM
PE	YELLOW/GREEN	EARTH	GND	BLUE	GND
			FG	WHITE	1 Pulse/R

### Dimensions





## EC Backward Centrifugal Fans

Material: Galvanised sheet steel

Type of protection: IP44

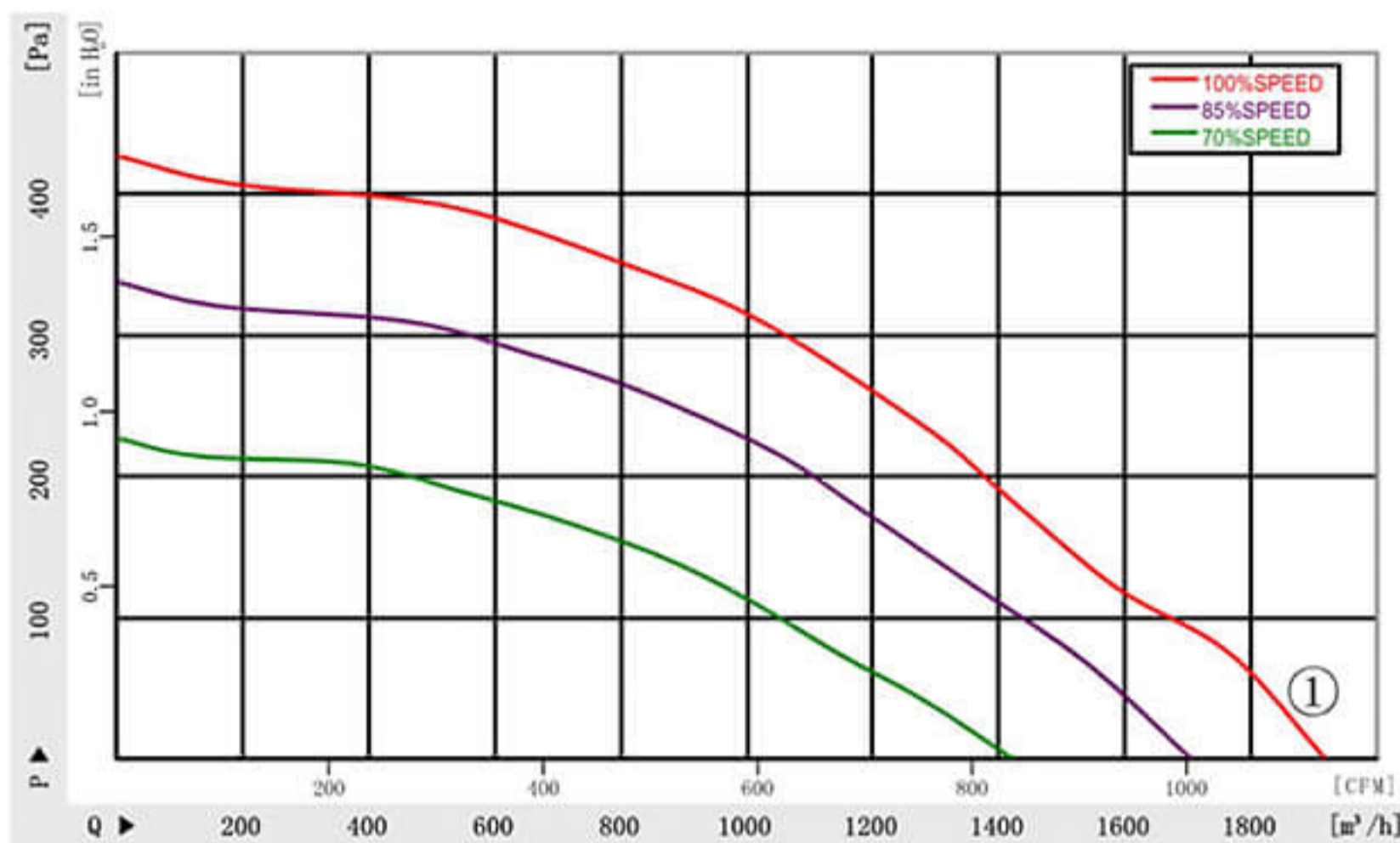
Approvals: CCC CE

Insulation class: B

### Specifications

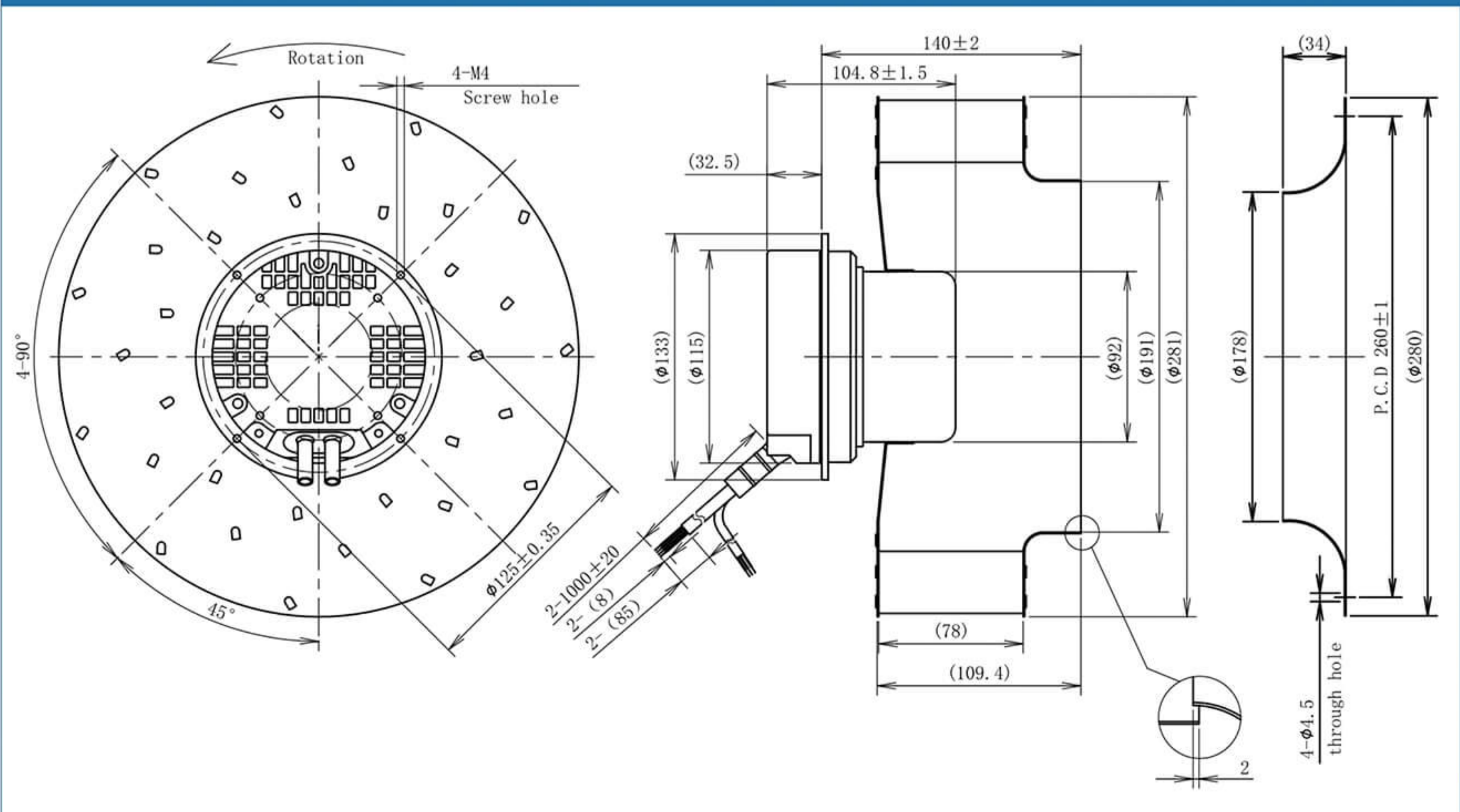
Type	Curve	Nominal voltage	Frequency	Speed	Power input	Current draw	Sound pressure level	Perm. amb. temp.
BMF280-EC092-100		[VAC]	[Hz]	[rpm]	[W]	[A]	[dB]	[°C]
	①	220	50/60	2000	105	0.75	69	-25~+60

### Curves



SIGNAL	COLOR	SPEC	SIGNAL	COLOR	SPEC
L	BROWN	AC220V 50/60Hz	Vcc	RED	DC10V
N	BLUE	AC220V 50/60Hz	Vsp	YELLOW	0-10VDC/PWM
PE	YELLOW/GREEN	EARTH	GND	BLUE	GND
			FG	WHITE	1 Pulse/R

### Dimensions





## EC Backward Centrifugal Fans

Material: Galvanised sheet steel

Type of protection: IP44

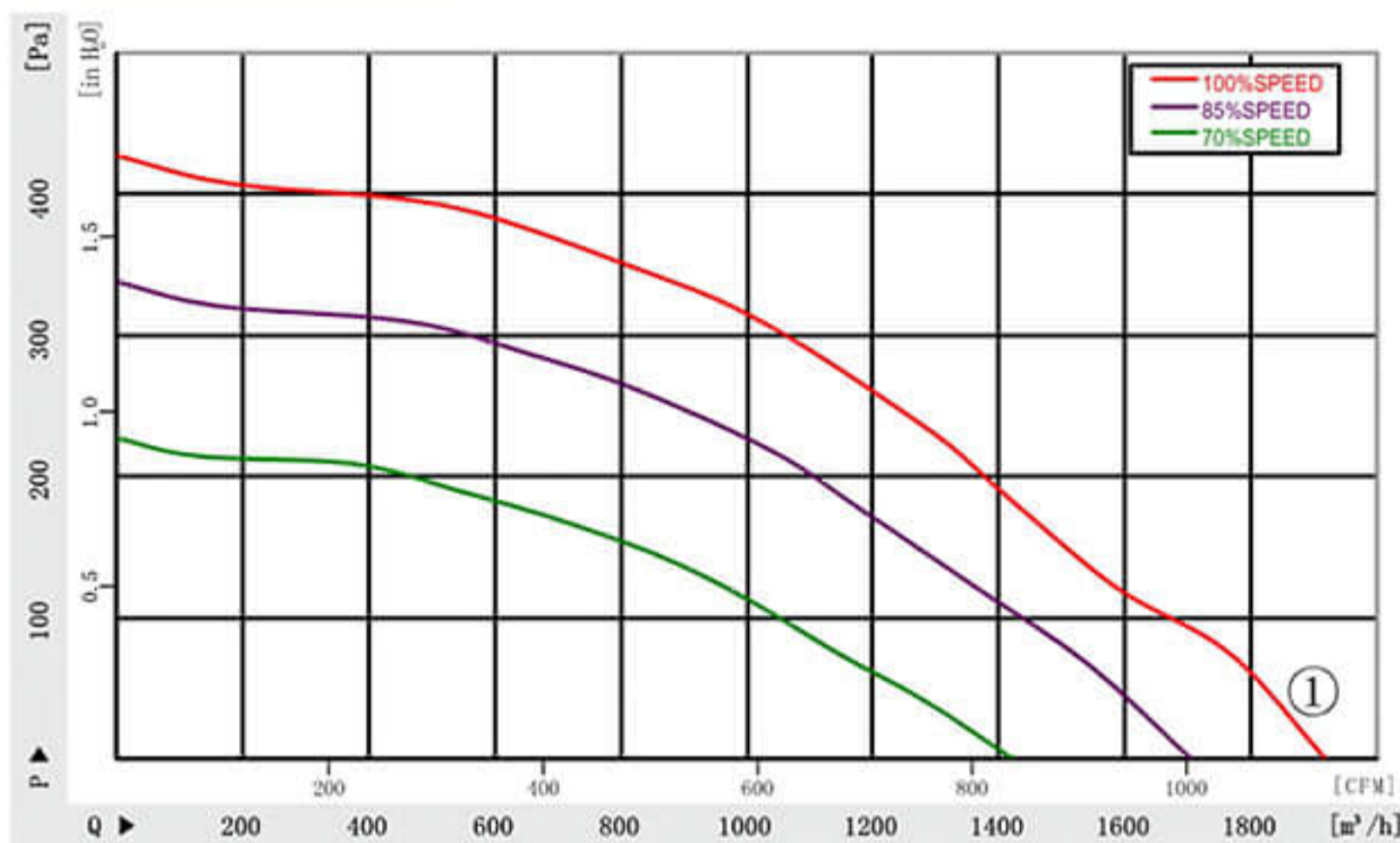
Approvals: CCC CE

Insulation class: B

### Specifications

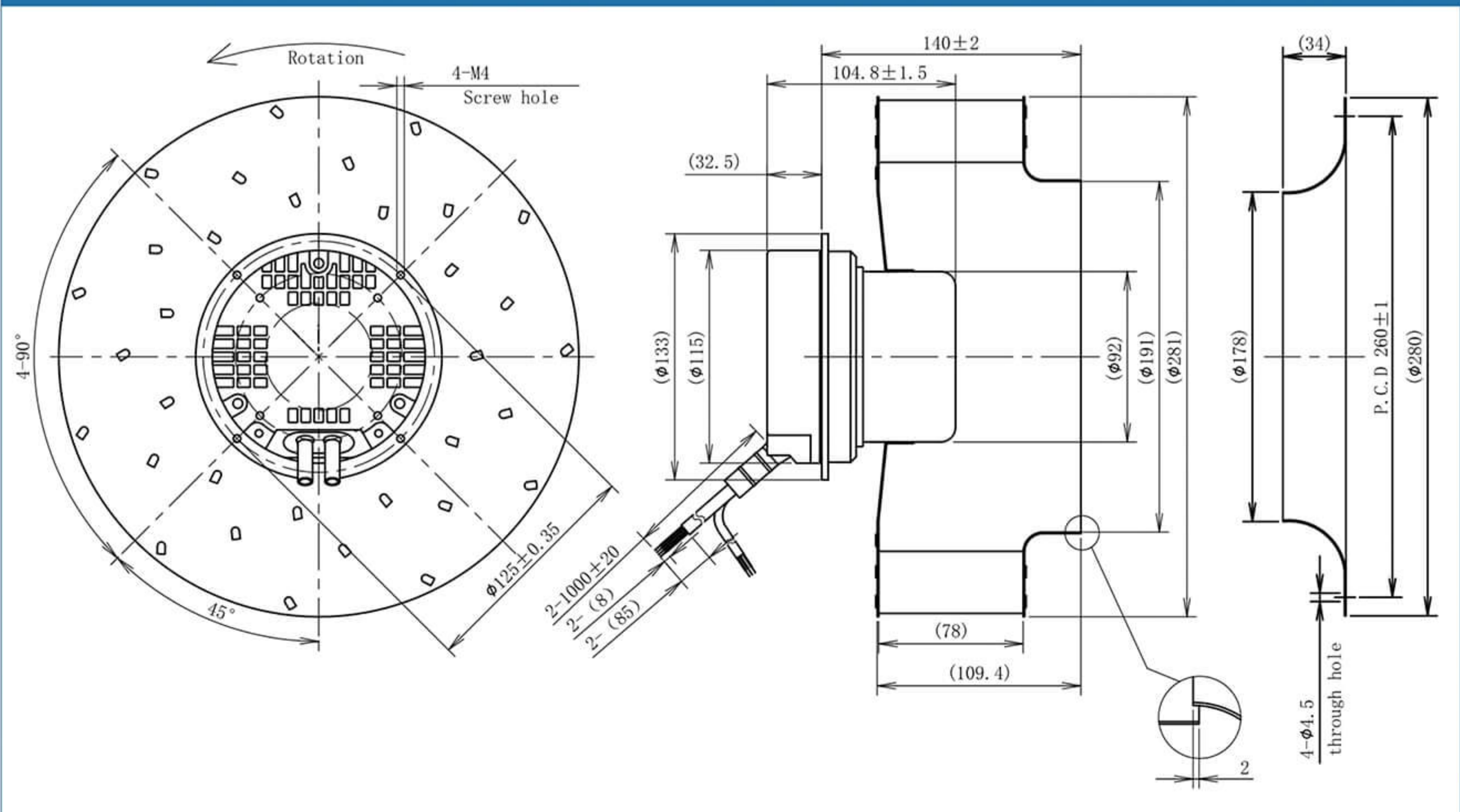
Type	Curve	Nominal voltage	Frequency	Speed	Power input	Current draw	Sound pressure level	Perm. amb. temp.
BMF280-EC092-100		[VAC]	[Hz]	[rpm]	[W]	[A]	[dB]	[°C]
	①	220	50/60	2000	105	0.75	69	-25~+60

### Curves



SIGNAL	COLOR	SPEC	SIGNAL	COLOR	SPEC
L	BROWN	AC220V 50/60Hz	Vcc	RED	DC10V
N	BLUE	AC220V 50/60Hz	Vsp	YELLOW	0-10VDC/PWM
PE	YELLOW/GREEN	EARTH	GND	BLUE	GND
			FG	WHITE	1 Pulse/R

### Dimensions







## EC Backward Centrifugal Fans

Material: Sheet aluminium

Type of protection: IP44

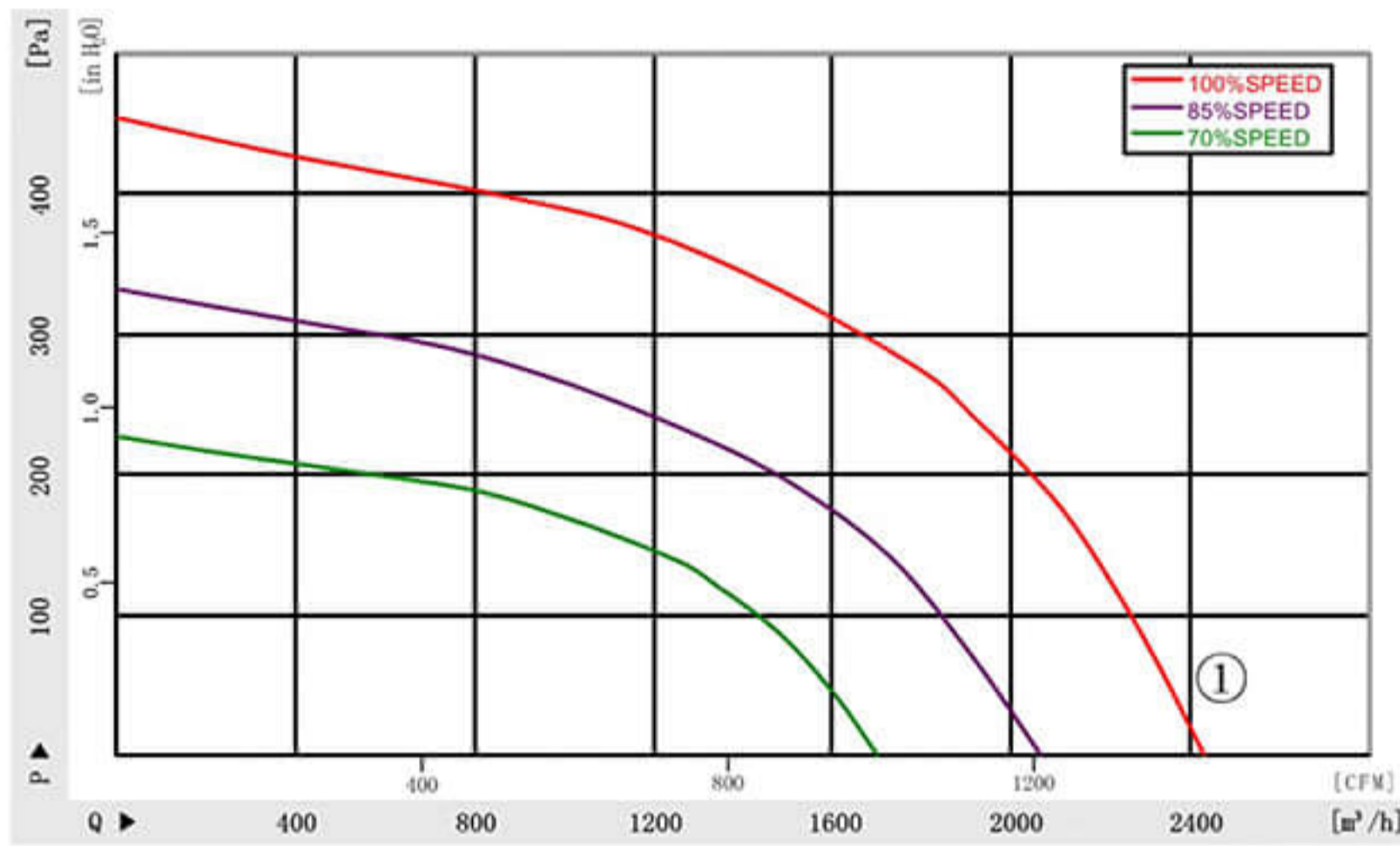
Approvals: CCC CE

Insulation class: B

### Specifications

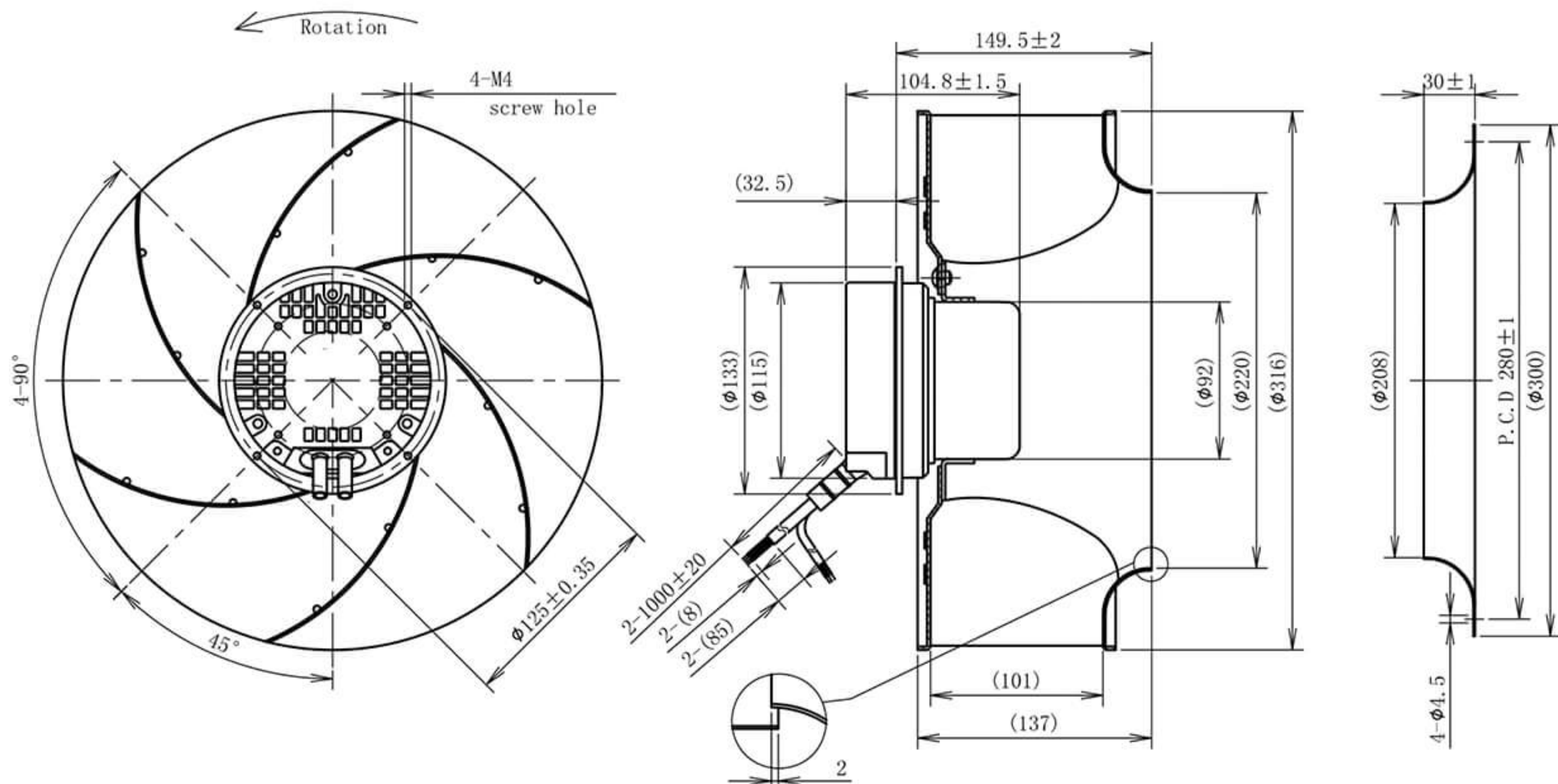
Type	Curve	Nominal voltage	Frequency	Speed	Power input	Current draw	Sound pressure level	Perm. amb. temp.
BMF310-EC092-001		[VAC]	[Hz]	[rpm]	[W]	[A]	[dB]	[°C]
	①	220	50/60	1770	175	1.3	73	-25~+60

### Curves



SIGNAL	COLOR	SPEC	SIGNAL	COLOR	SPEC
L	BROWN	AC220V 50/60Hz	Vcc	RED	DC10V
N	BLUE	AC220V 50/60Hz	Vsp	YELLOW	0-10VDC/PWM
PE	YELLOW/GREEN	EARTH	GND	BLUE	GND
			FG	WHITE	1 Pulse/R

### Dimensions





## EC Backward Centrifugal Fans

Material: Sheet aluminium

Type of protection: IP44

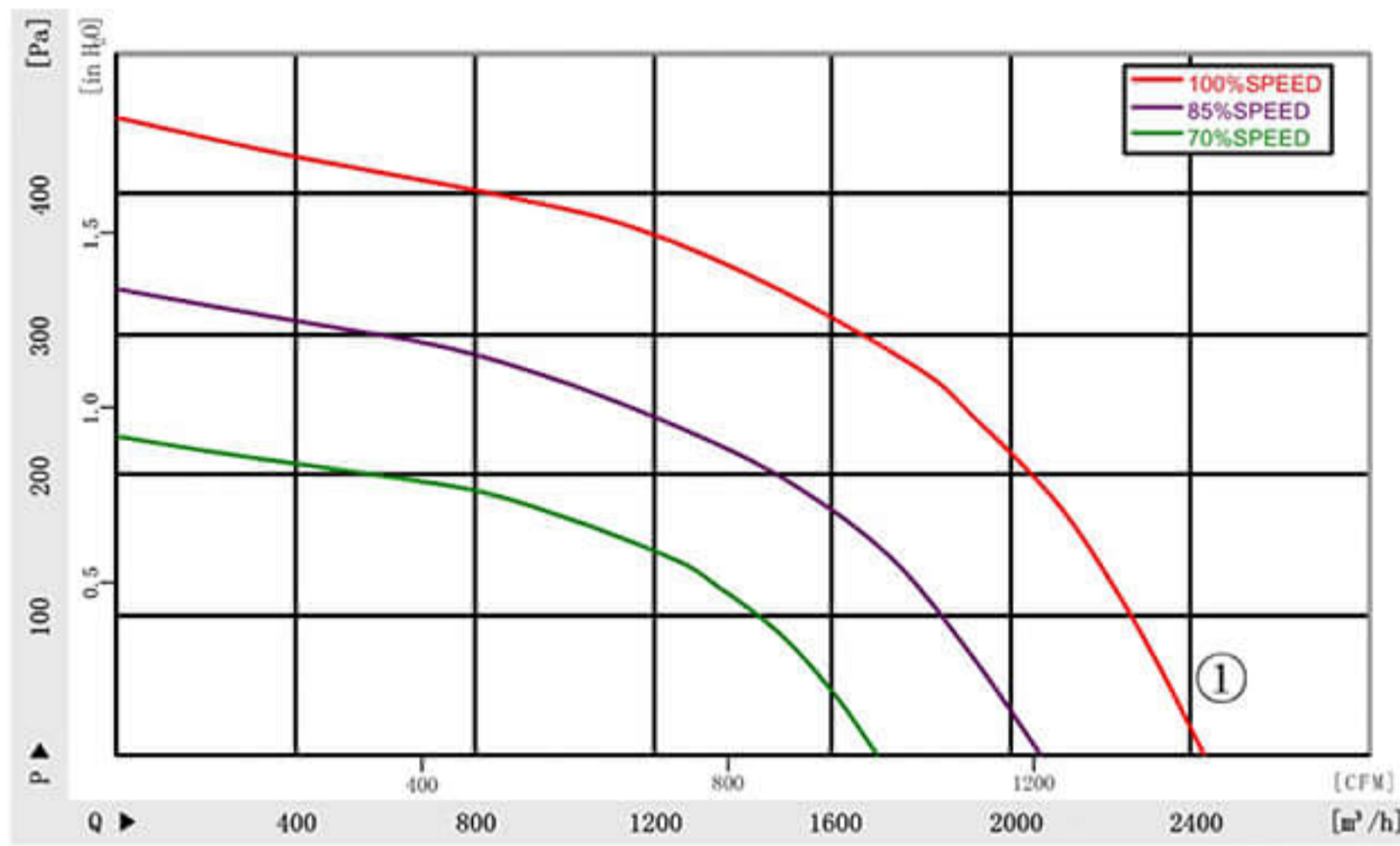
Approvals: CCC CE

Insulation class: B

### Specifications

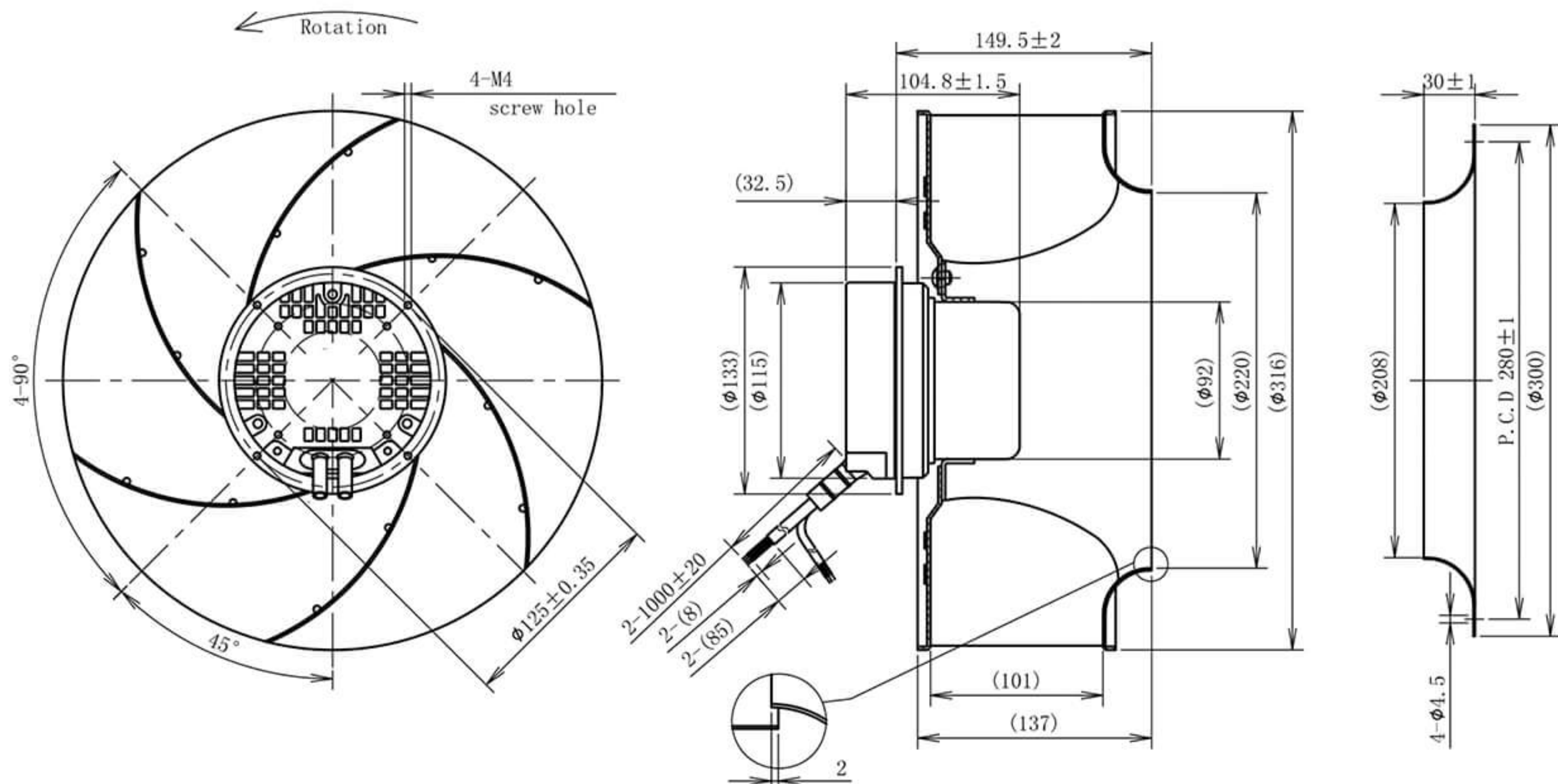
Type	Curve	Nominal voltage	Frequency	Speed	Power input	Current draw	Sound pressure level	Perm. amb. temp.
BMF310-EC092-001		[VAC]	[Hz]	[rpm]	[W]	[A]	[dB]	[°C]
	①	220	50/60	1770	175	1.3	73	-25~+60

### Curves



SIGNAL	COLOR	SPEC	SIGNAL	COLOR	SPEC
L	BROWN	AC220V 50/60Hz	Vcc	RED	DC10V
N	BLUE	AC220V 50/60Hz	Vsp	YELLOW	0-10VDC/PWM
PE	YELLOW/GREEN	EARTH	GND	BLUE	GND
			FG	WHITE	1 Pulse/R

### Dimensions





## EC Backward Centrifugal Fans

Material: Sheet aluminium

Type of protection: IP44

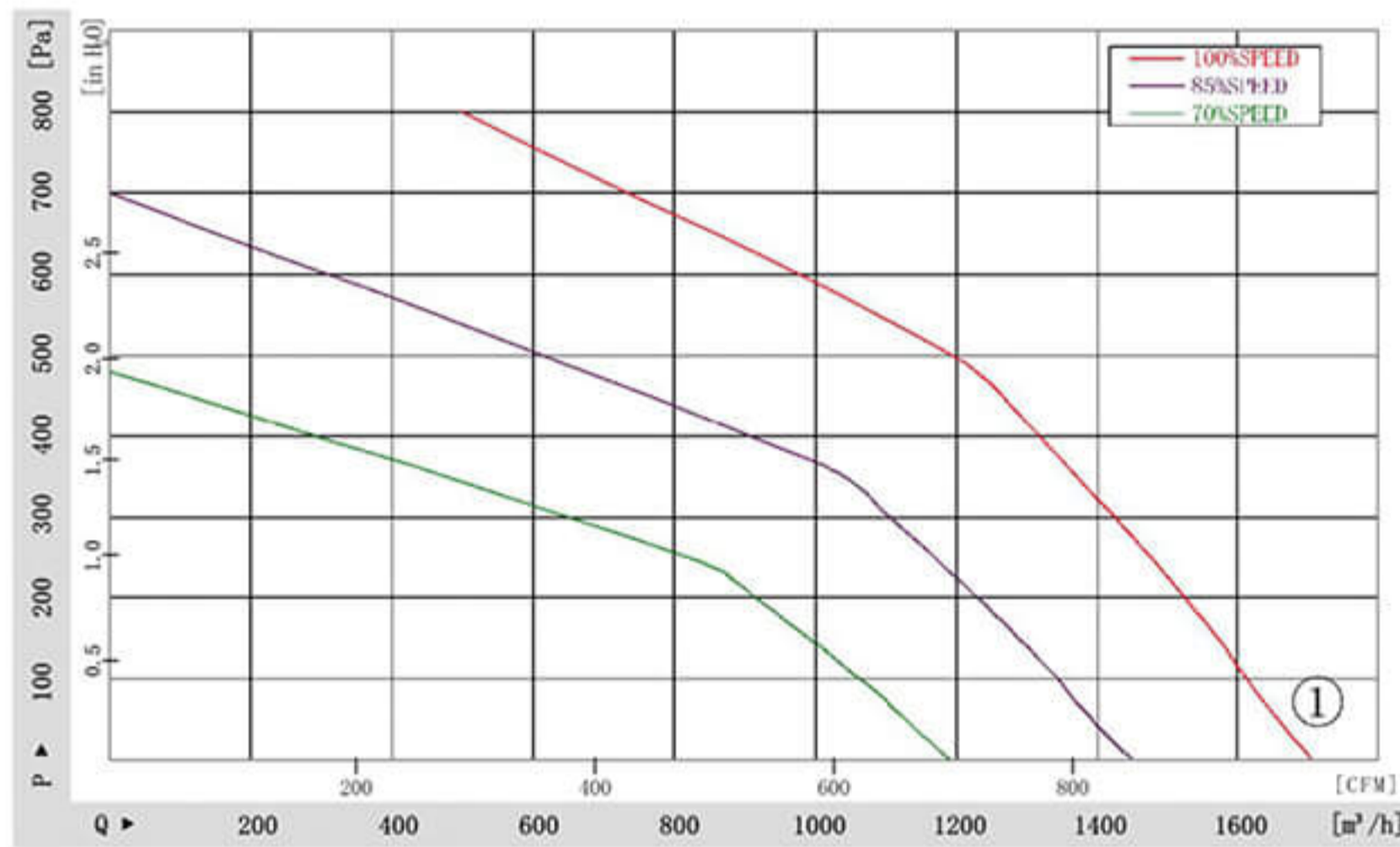
Approvals: CCC CE

Insulation class: B

### Specifications

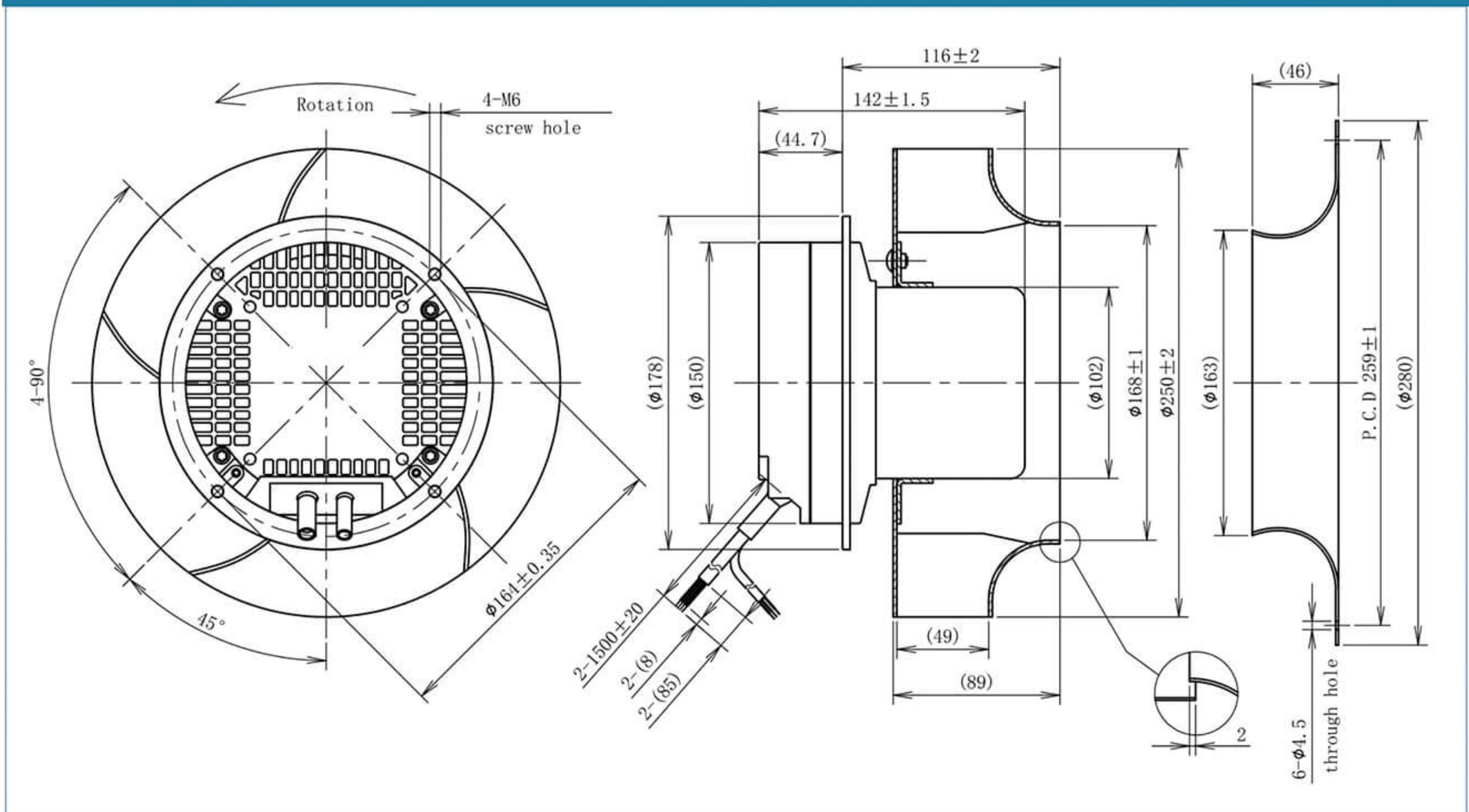
Type	Curve	Nominal voltage	Frequency	Speed	Power input	Current draw	Sound pressure level	Perm. amb. temp.
		[VAC]	[Hz]	[rpm]	[W]	[A]	[dB]	[°C]
BMF250-EC102-001	①	220	50/60	3170	270	1.2	84	-25~+60

### Curves



SIGNAL	COLOR	SPEC	SIGNAL	COLOR	SPEC
L	BROWN	AC220V 50/60Hz	Vcc	RED	DC10V
N	BLUE	AC220V 50/60Hz	Vsp	YELLOW	0-10VDC/PWM
PE	YELLOW/GREEN	EARTH	GND	BLUE	GND
			FG	WHITE	1 Pulse/R

### Dimensions





## EC Backward Centrifugal Fans

Material: Sheet aluminium

Type of protection: IP44

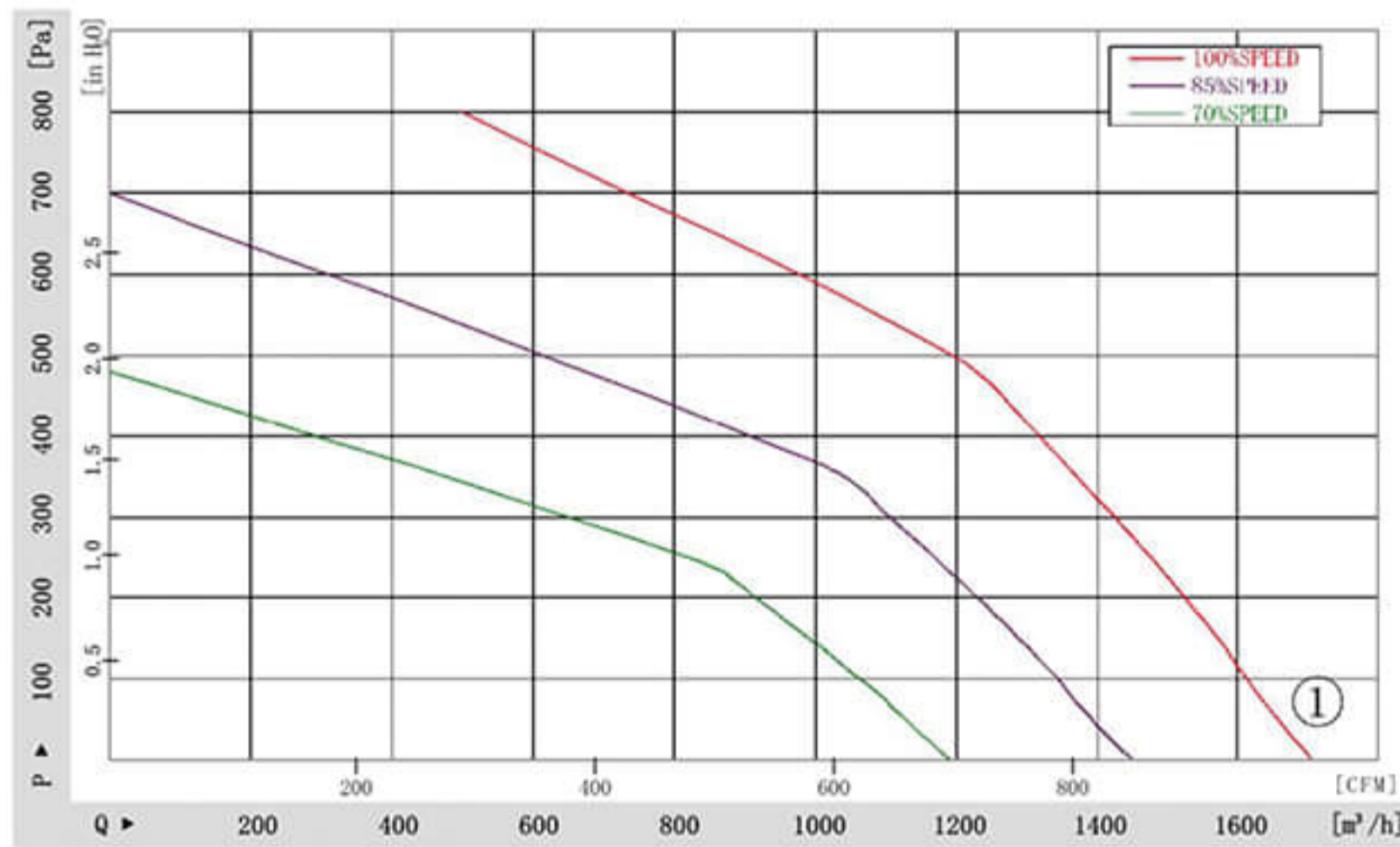
Approvals: CCC CE

Insulation class: B

### Specifications

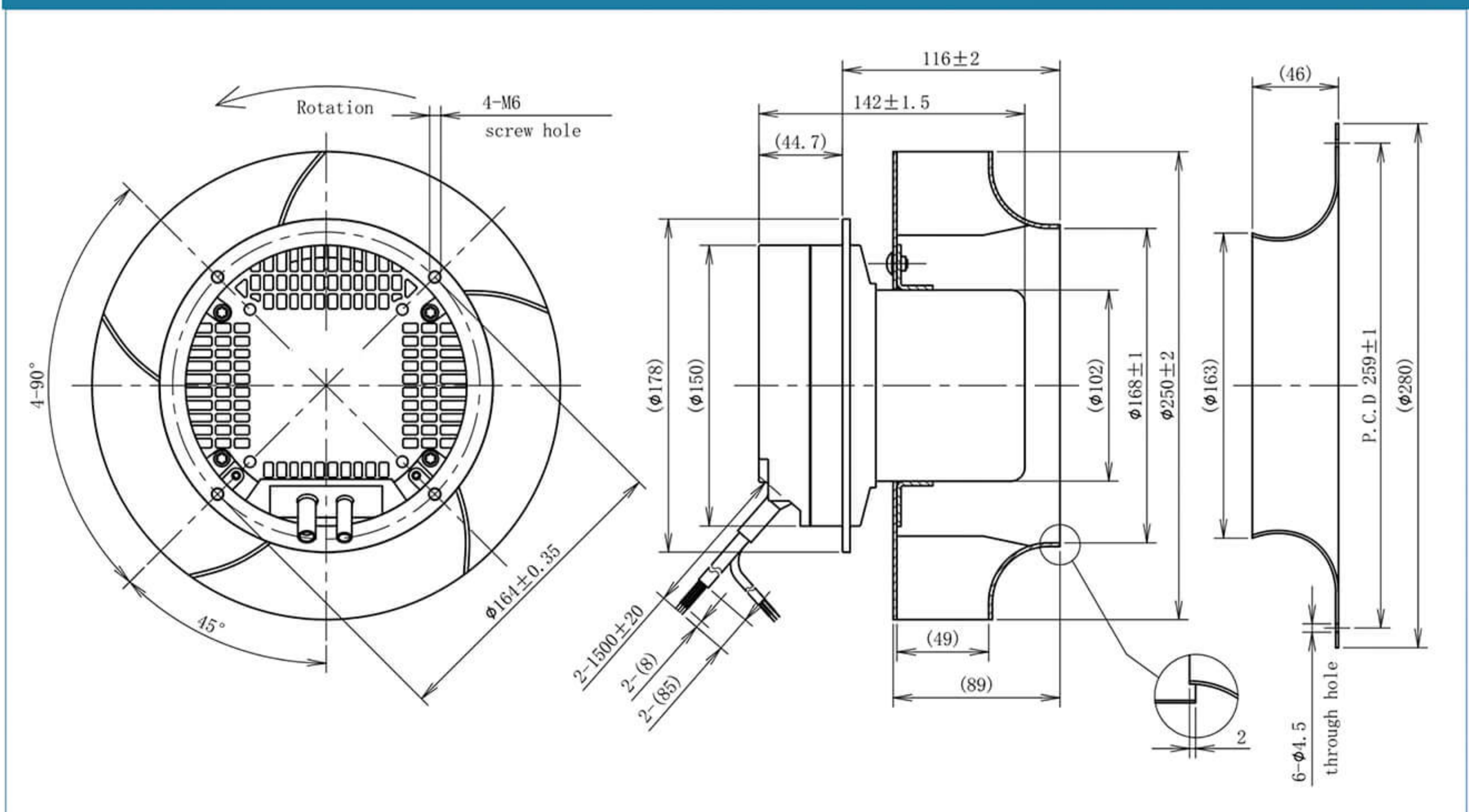
Type	Curve	Nominal voltage	Frequency	Speed	Power input	Current draw	Sound pressure level	Perm. amb. temp.
		[VAC]	[Hz]	[rpm]	[W]	[A]	[dB]	[°C]
BMF250-EC102-001	①	220	50/60	3170	270	1.2	84	-25~+60

### Curves



SIGNAL	COLOR	SPEC	SIGNAL	COLOR	SPEC
L	BROWN	AC220V 50/60Hz	Vcc	RED	DC10V
N	BLUE	AC220V 50/60Hz	Vsp	YELLOW	0-10VDC/PWM
PE	YELLOW/GREEN	EARTH	GND	BLUE	GND
			FG	WHITE	1 Pulse/R

### Dimensions





## EC Backward Centrifugal Fans

Material: Sheet aluminium

Type of protection: IP54

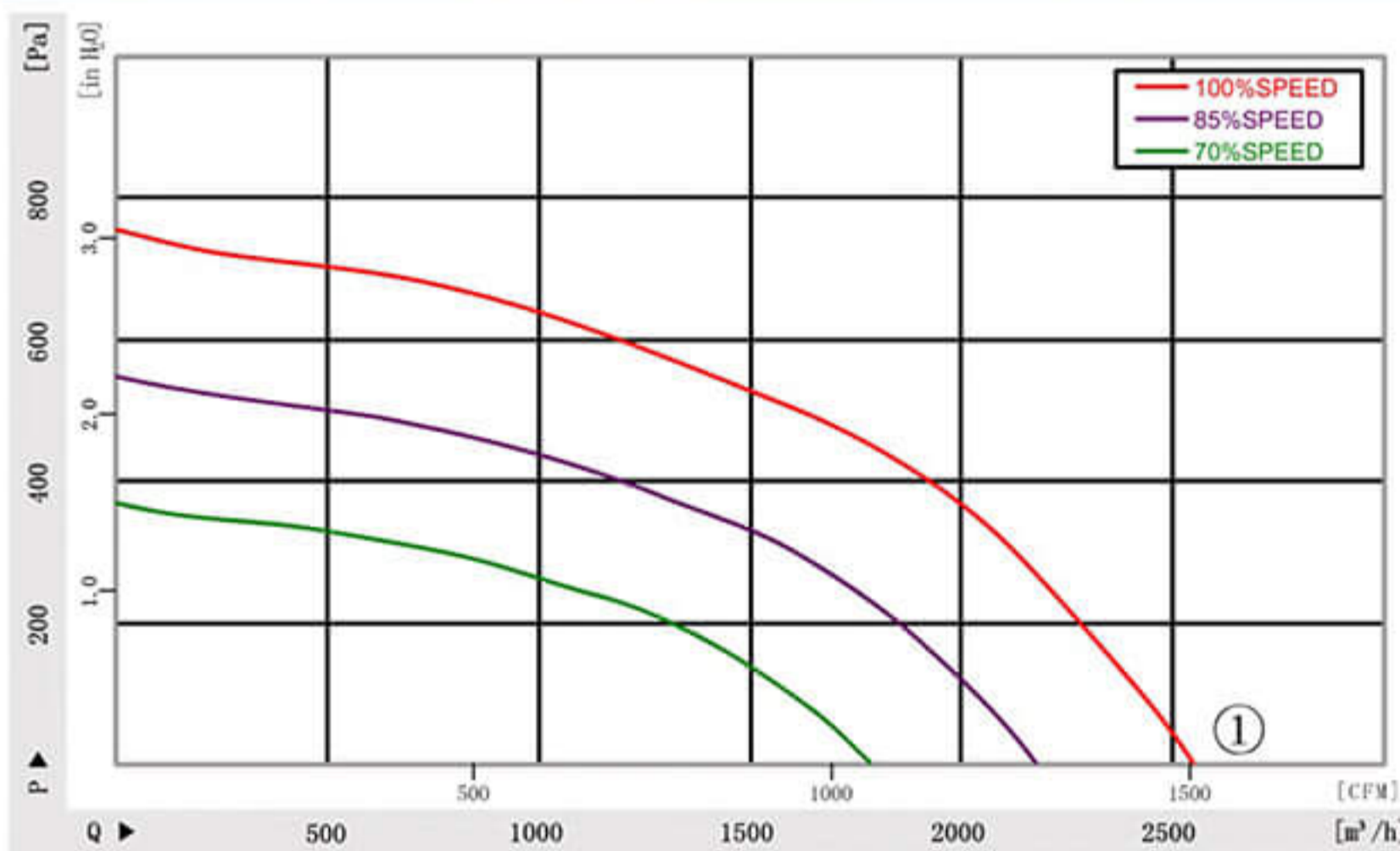
Approvals: CCC CE TUV

Insulation class: B

### Specifications

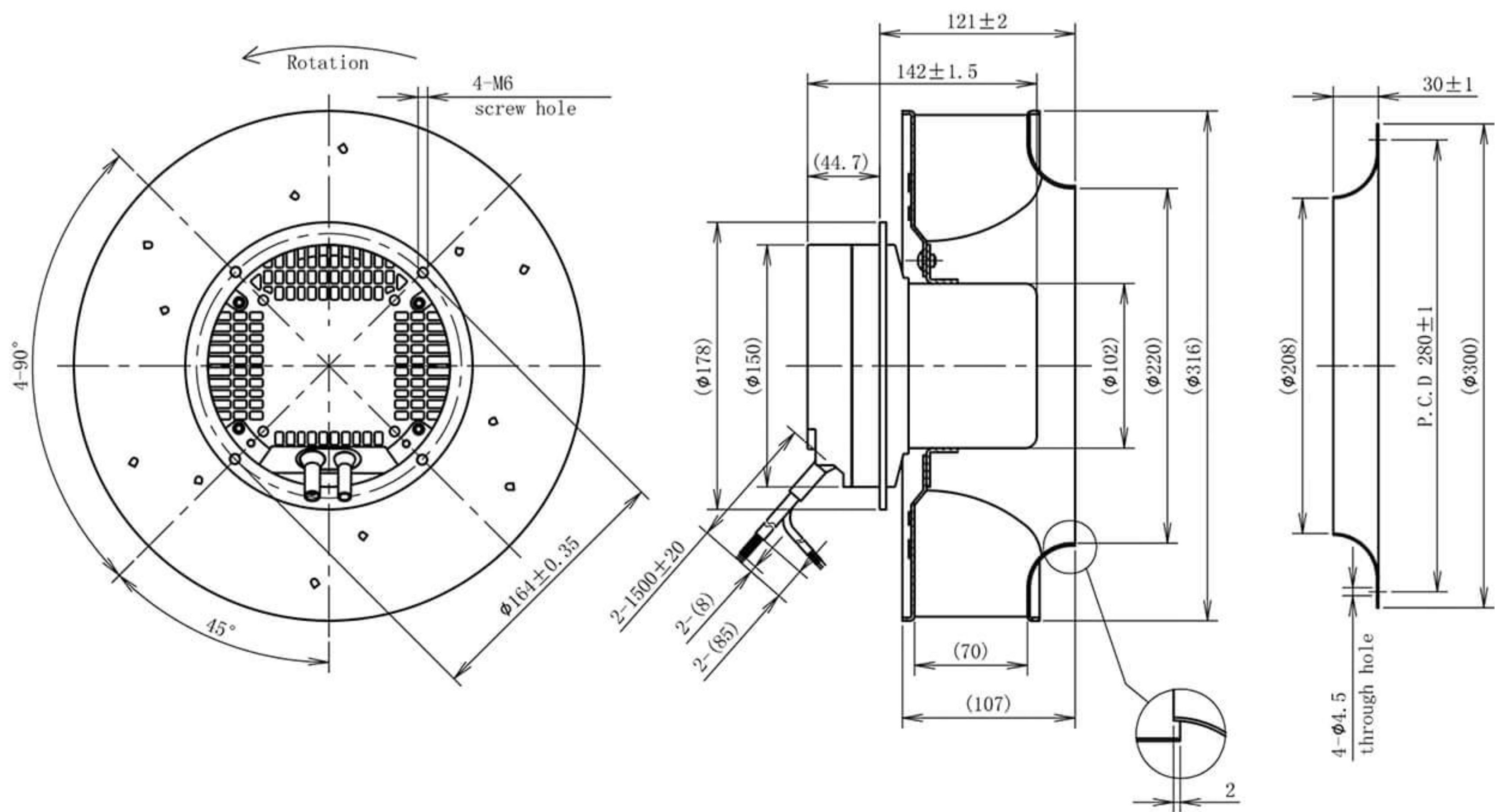
Type	Curve	Nominal voltage	Frequency	Speed	Power input	Current draw	Sound pressure level	Perm. amb. temp.
BMF310-EC102-100		[VAC]	[Hz]	[rpm]	[W]	[A]	[dB]	[°C]
	①	220	50/60	2250	300	1.4	68	-25~+60

### Curves



SIGNAL	COLOR	SPEC	SIGNAL	COLOR	SPEC
L	BROWN	AC220V 50/60Hz	Vcc	RED	DC10V
N	BLUE	AC220V 50/60Hz	Vsp	YELLOW	0-10VDC/PWM
PE	YELLOW/GREEN	EARTH	GND	BLUE	GND
			FG	WHITE	1 Pulse/R

### Dimensions





## EC Backward Centrifugal Fans

Material: Sheet aluminium

Type of protection: IP54

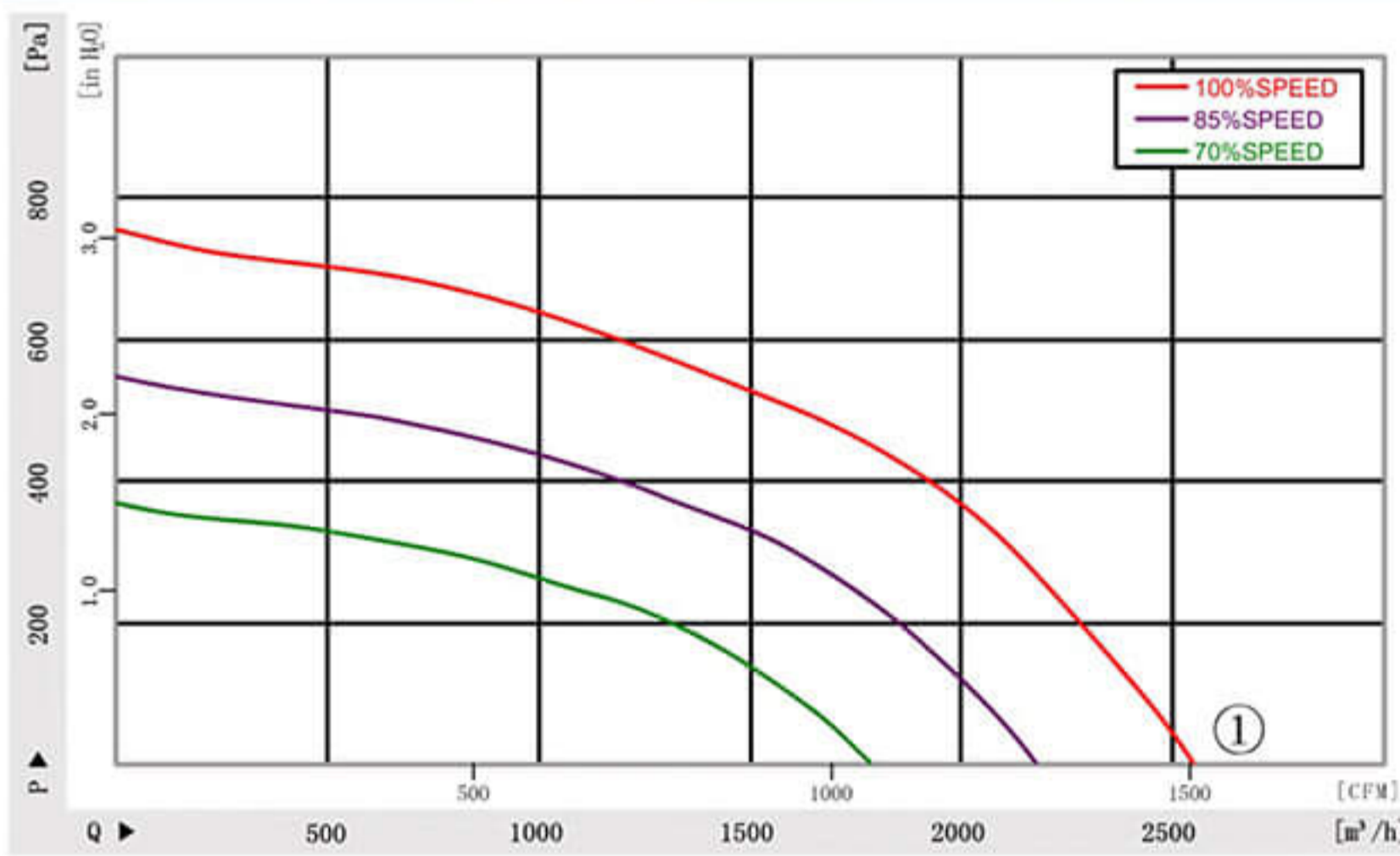
Approvals: CCC CE TUV

Insulation class: B

### Specifications

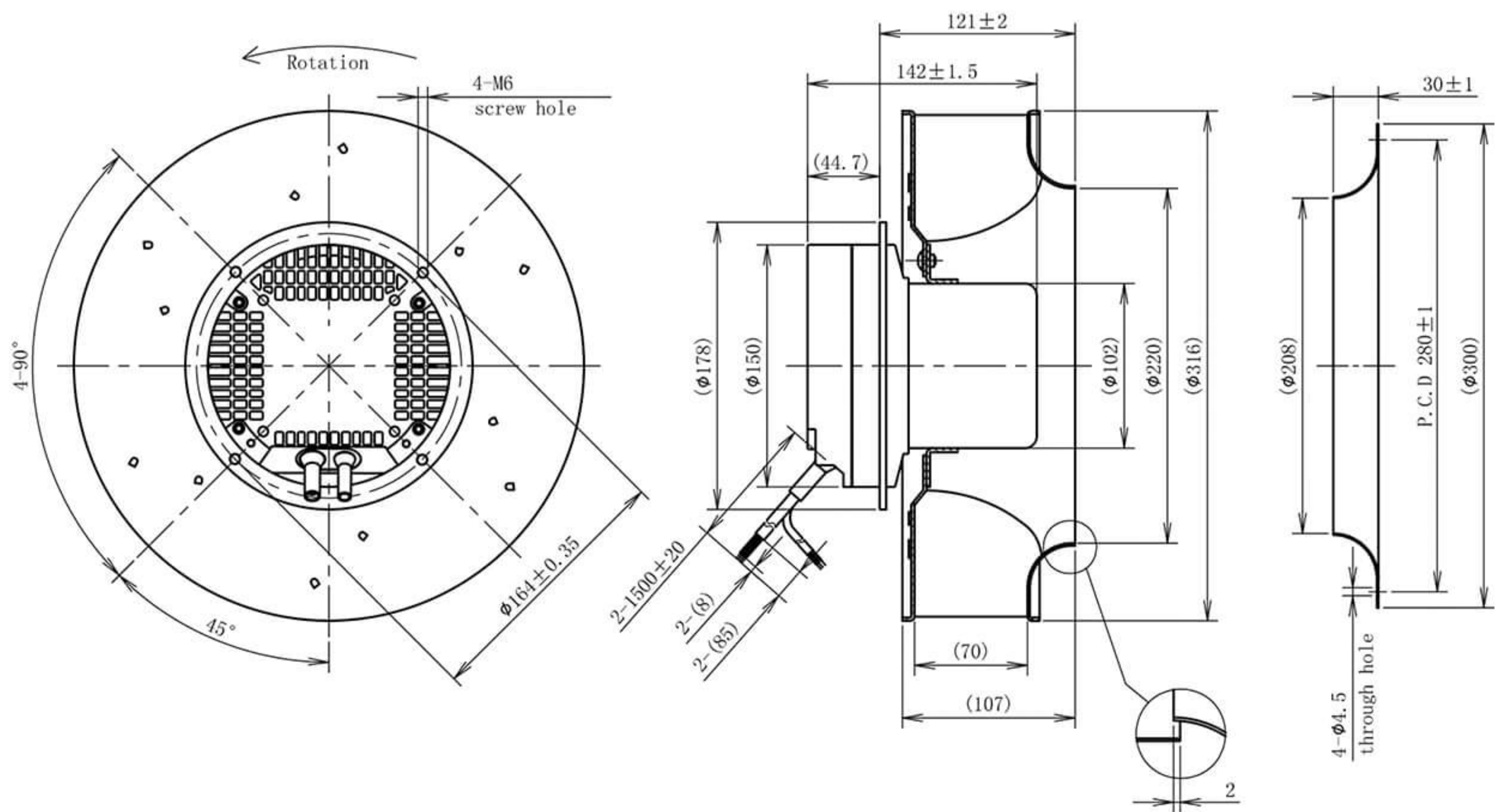
Type	Curve	Nominal voltage	Frequency	Speed	Power input	Current draw	Sound pressure level	Perm. amb. temp.
BMF310-EC102-100		[VAC]	[Hz]	[rpm]	[W]	[A]	[dB]	[°C]
	①	220	50/60	2250	300	1.4	68	-25~+60

### Curves



SIGNAL	COLOR	SPEC	SIGNAL	COLOR	SPEC
L	BROWN	AC220V 50/60Hz	Vcc	RED	DC10V
N	BLUE	AC220V 50/60Hz	Vsp	YELLOW	0-10VDC/PWM
PE	YELLOW/GREEN	EARTH	GND	BLUE	GND
			FG	WHITE	1 Pulse/R

### Dimensions





## EC Backward Centrifugal Fans

Material: Sheet aluminium

Type of protection: IP54

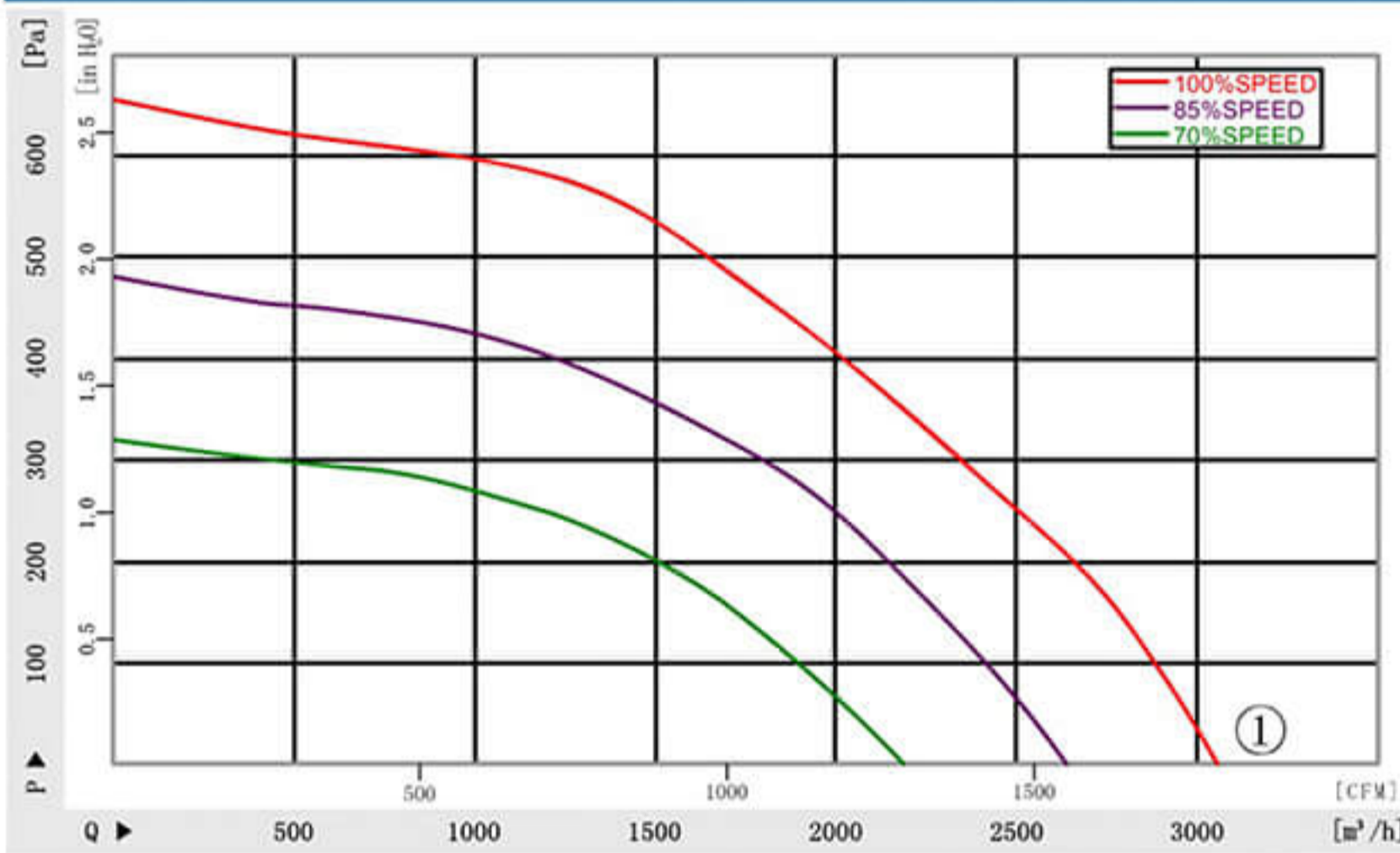
Approvals: CCC CE TUV

Insulation class: B

### Specifications

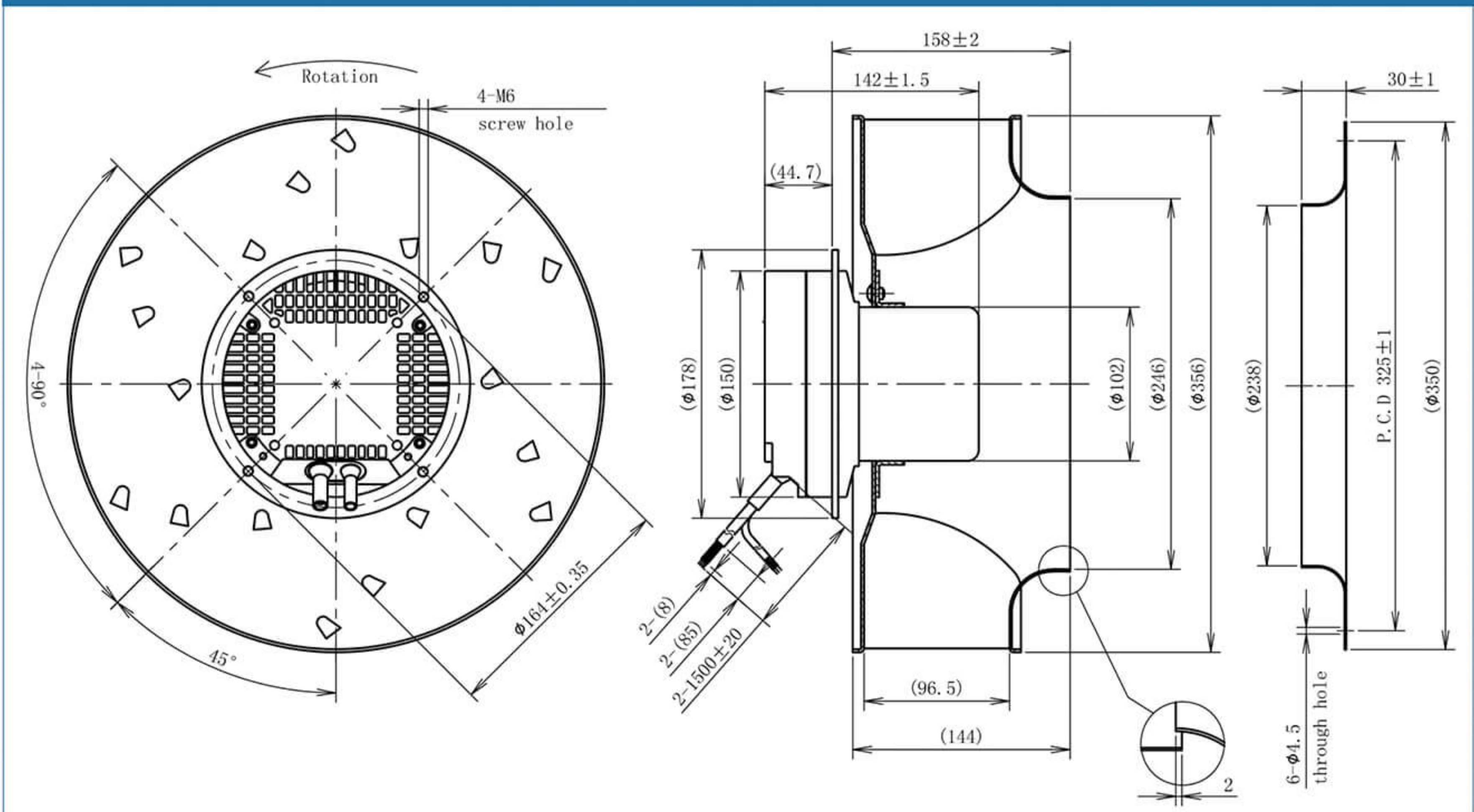
Type	Curve	Nominal voltage	Frequency	Speed	Power input	Current draw	Sound pressure level	Perm. amb. temp.
		[VAC]	[Hz]	[rpm]	[W]	[A]	[dB]	[°C]
BMF355-EC102-100	①	220	50/60	1900	330	1.5	77	-25~+60

### Curves



SIGNAL	COLOR	SPEC	SIGNAL	COLOR	SPEC
L	BROWN	AC220V 50/60Hz	Vcc	RED	DC10V
N	BLUE	AC220V 50/60Hz	Vsp	YELLOW	0-10VDC/PWM
PE	YELLOW/GREEN	EARTH	GND	BLUE	GND
			FG	WHITE	1 Pulse/R

### Dimensions





## EC Backward Centrifugal Fans

Material: Sheet aluminium

Type of protection: IP54

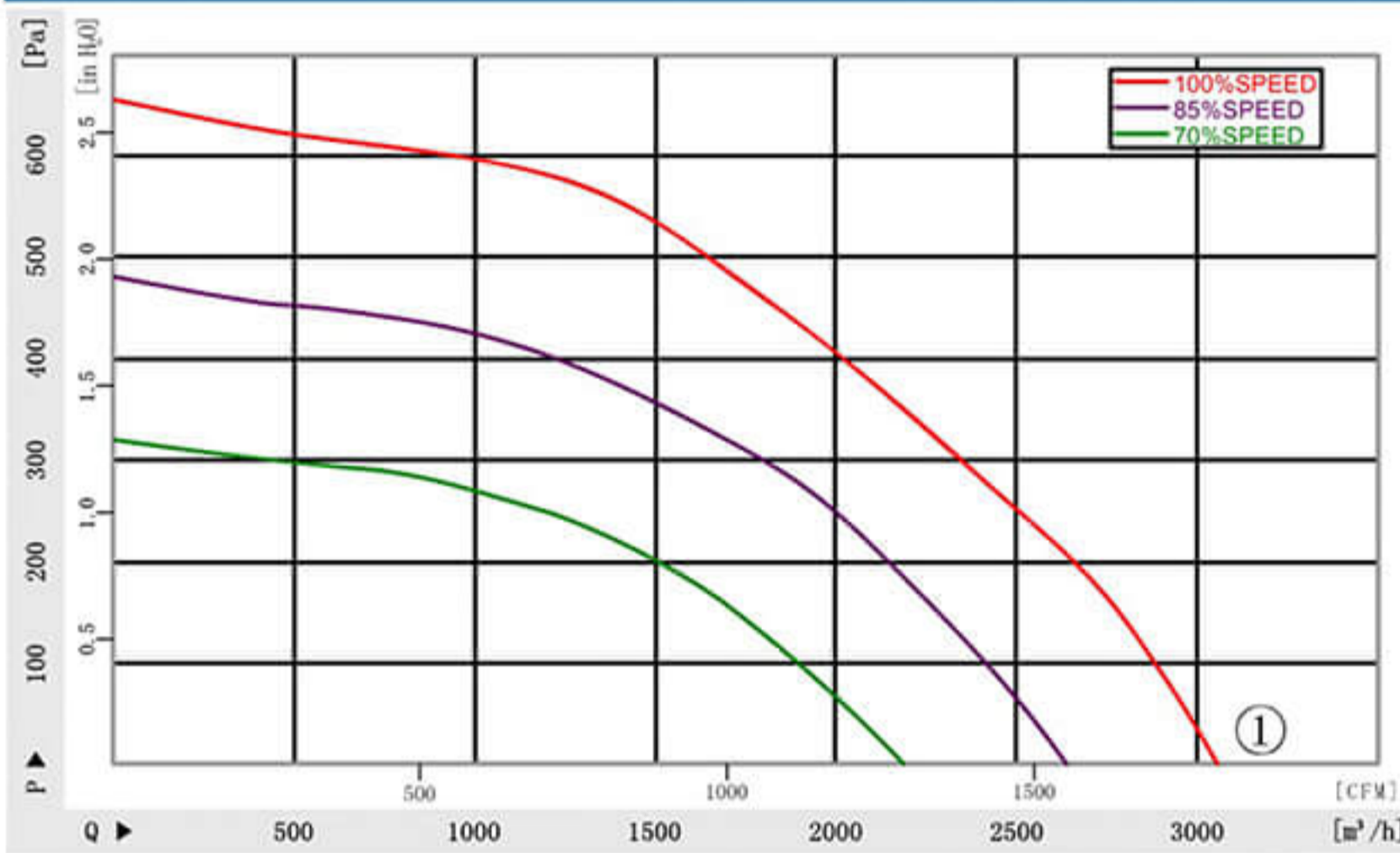
Approvals: CCC CE TUV

Insulation class: B

### Specifications

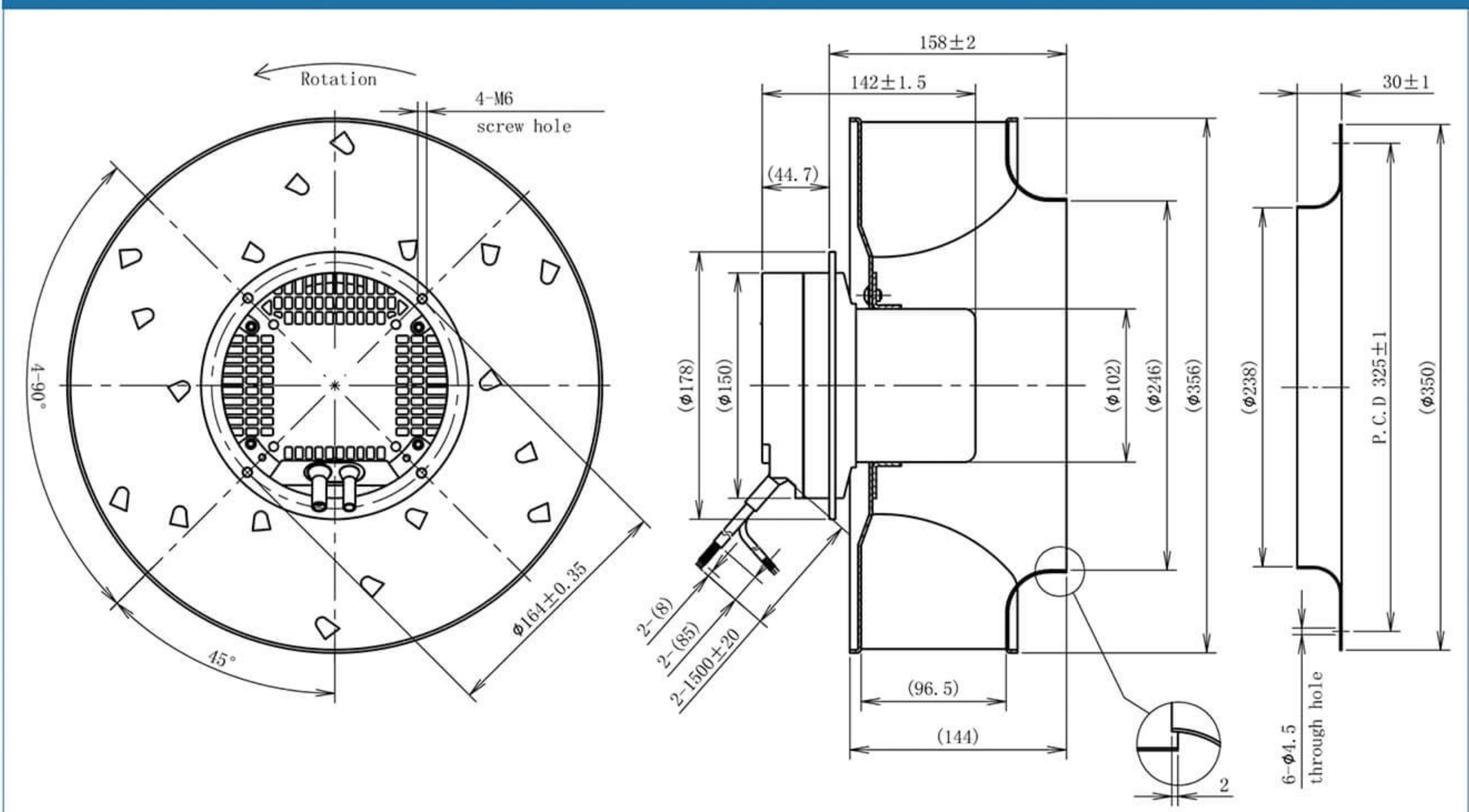
Type	Curve	Nominal voltage	Frequency	Speed	Power input	Current draw	Sound pressure level	Perm. amb. temp.
		[VAC]	[Hz]	[rpm]	[W]	[A]	[dB]	[°C]
BMF355-EC102-100	①	220	50/60	1900	330	1.5	77	-25~+60

### Curves



SIGNAL	COLOR	SPEC	SIGNAL	COLOR	SPEC
L	BROWN	AC220V 50/60Hz	Vcc	RED	DC10V
N	BLUE	AC220V 50/60Hz	Vsp	YELLOW	0-10VDC/PWM
PE	YELLOW/GREEN	EARTH	GND	BLUE	GND
			FG	WHITE	1 Pulse/R

### Dimensions







## EC Backward Centrifugal Fans

Material: Sheet aluminium

Type of protection: IP 54

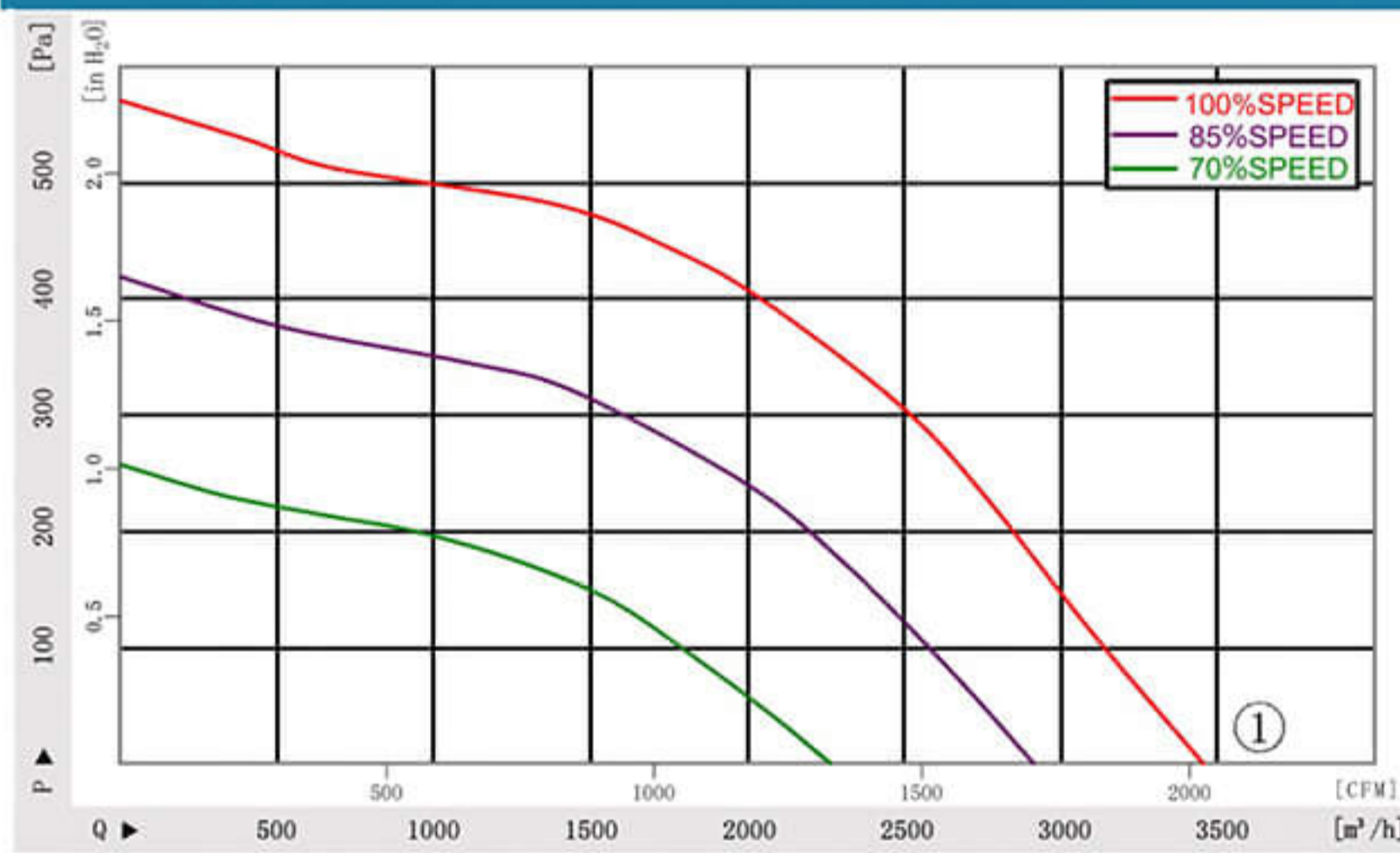
Approvals: CCC CE TUV

Insulation class: B

### Specifications

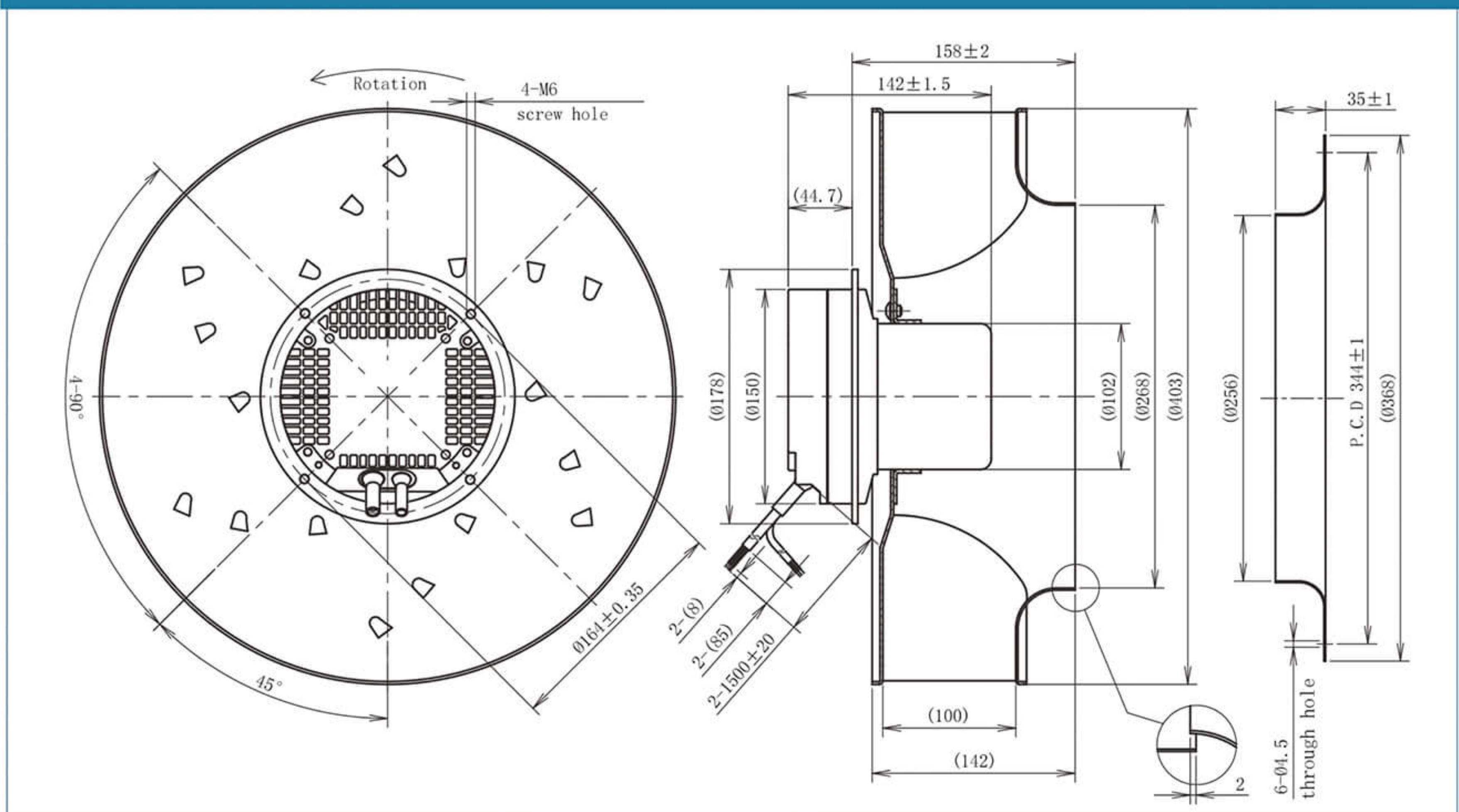
Type	Curve	Nominal voltage	Frequency	Speed	Power input	Current draw	Sound pressure level	Perm. amb. temp.
		[VAC]	[Hz]	[rpm]	[W]	[A]	[dB]	[°C]
BMF400-EC102-100	①	220	50/60	1400	220	1.0	72	-25~+60

### Curves



SIGNAL	COLOR	SPEC	SIGNAL	COLOR	SPEC
L	BROWN	AC220V 50/60Hz	Vcc	RED	DC10V
N	BLUE	AC220V 50/60Hz	Vsp	YELLOW	0-10VDC/PWM
PE	YELLOW/GREEN	EARTH	GND	BLUE	GND
			FG	WHITE	1 Pulse/R

### Dimensions





## EC Backward Centrifugal Fans

Material: Sheet aluminium

Type of protection: IP 54

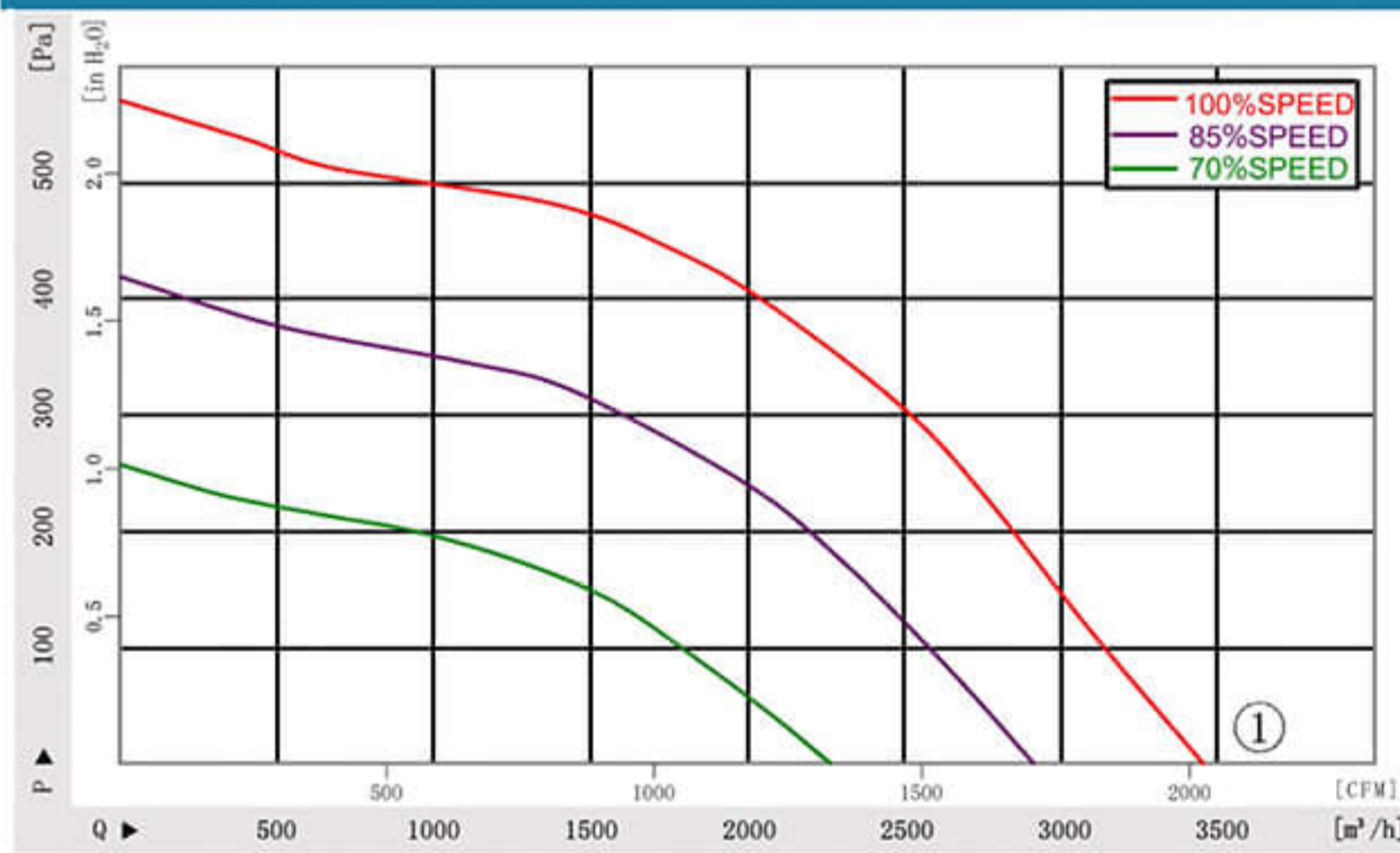
Approvals: CCC CE TUV

Insulation class: B

### Specifications

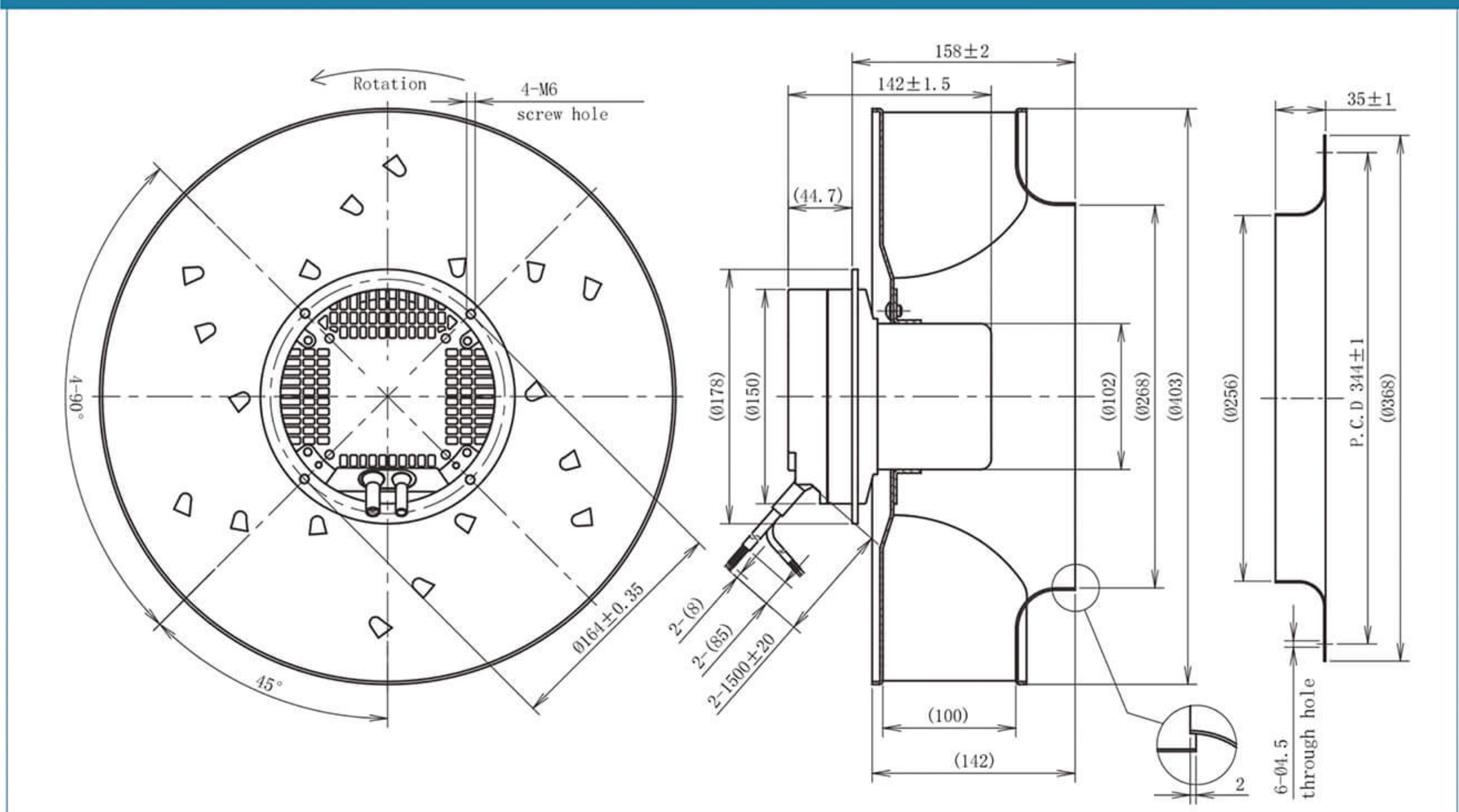
Type	Curve	Nominal voltage	Frequency	Speed	Power input	Current draw	Sound pressure level	Perm. amb. temp.
		[VAC]	[Hz]	[rpm]	[W]	[A]	[dB]	[°C]
BMF400-EC102-100	①	220	50/60	1400	220	1.0	72	-25~+60

### Curves



SIGNAL	COLOR	SPEC	SIGNAL	COLOR	SPEC
L	BROWN	AC220V 50/60Hz	Vcc	RED	DC10V
N	BLUE	AC220V 50/60Hz	Vsp	YELLOW	0-10VDC/PWM
PE	YELLOW/GREEN	EARTH	GND	BLUE	GND
			FG	WHITE	1 Pulse/R

### Dimensions





## EC Backward Centrifugal Fans

Material: Sheet aluminium

Type of protection: IP44

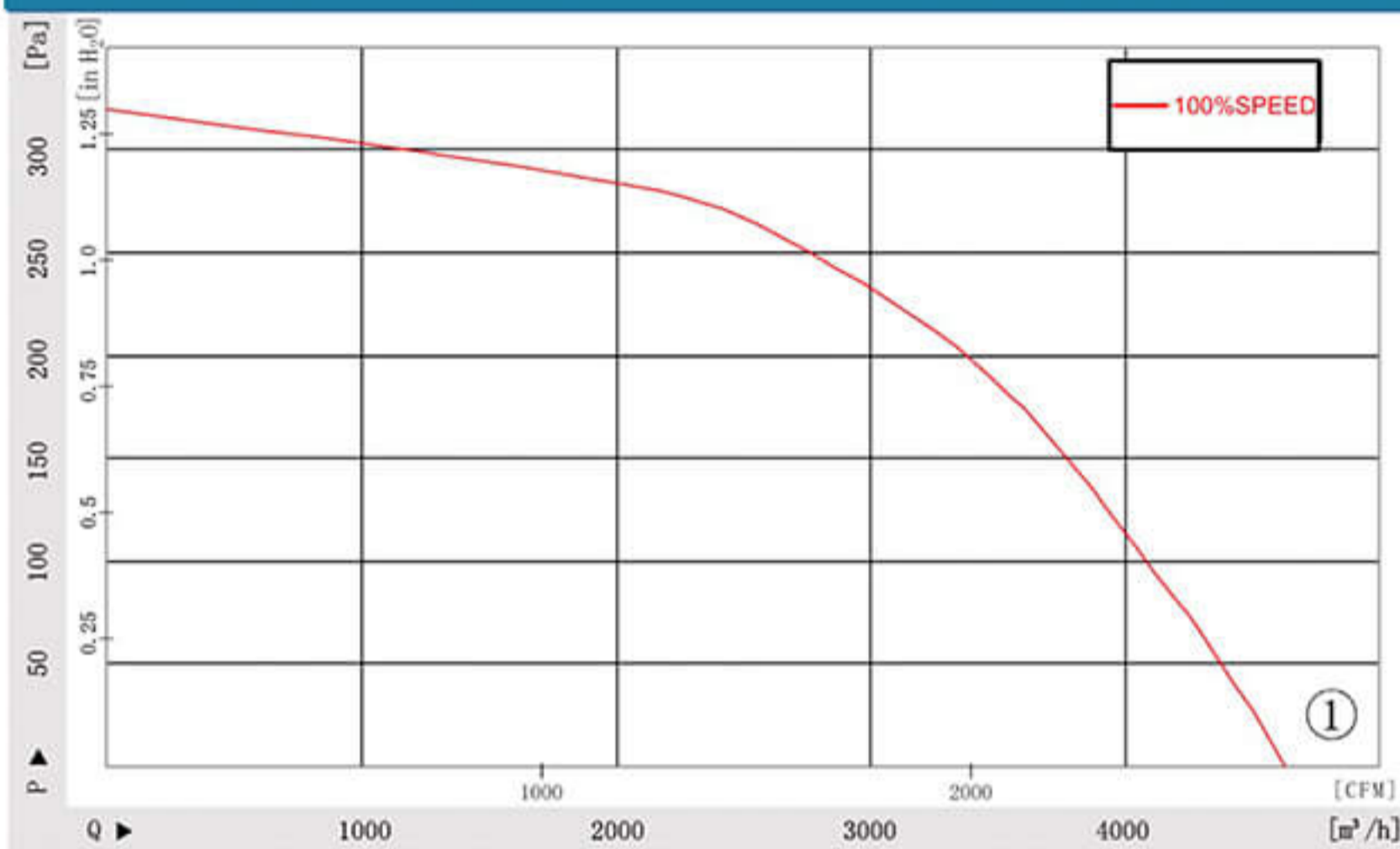
Approvals: CCC CE

Insulation class: B

### Specifications

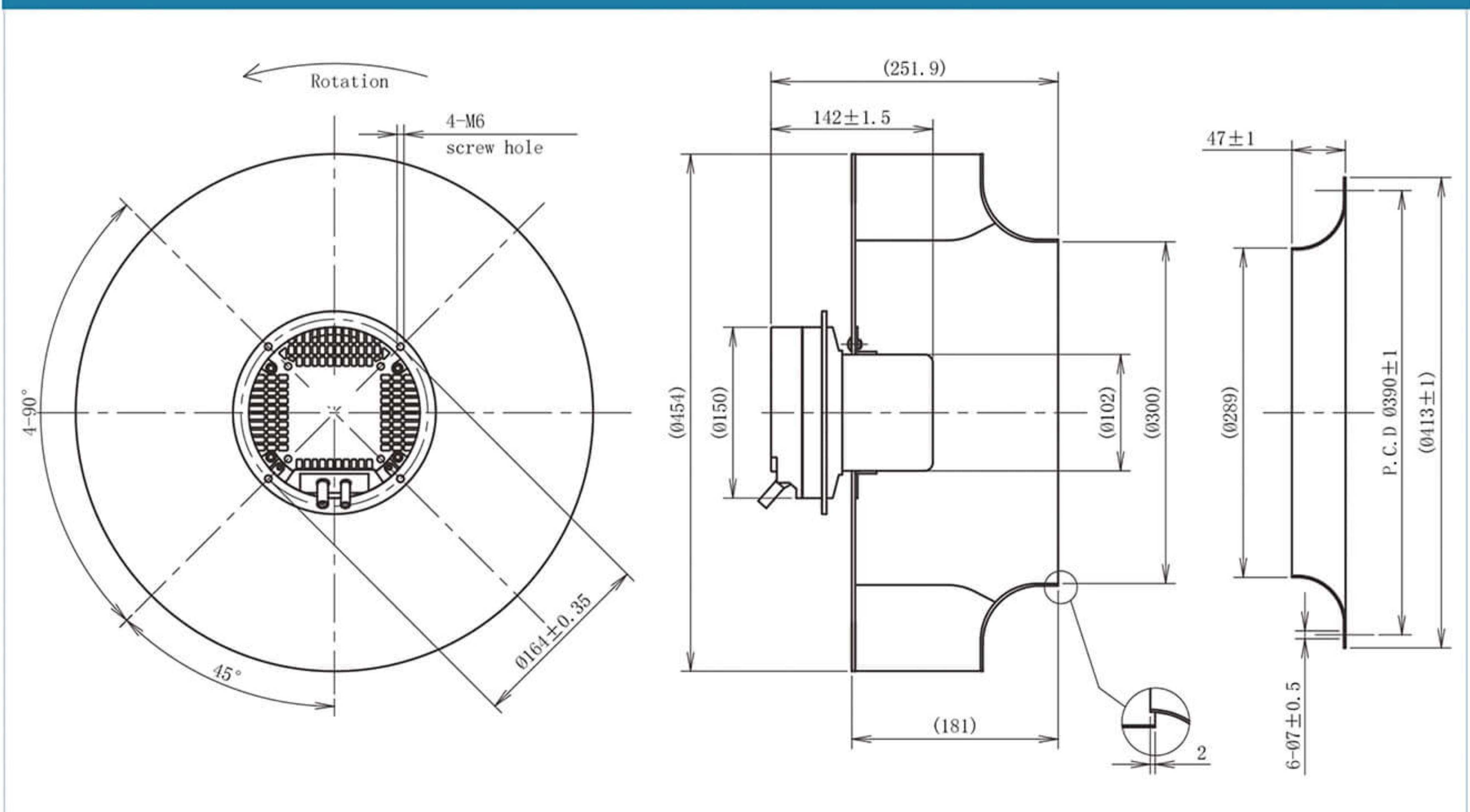
Type	Curve	Nominal voltage	Frequency	Speed	Power input	Current draw	Sound pressure level	Perm. amb. temp.
BMF450-EC102-100		[VAC]	[Hz]	[rpm]	[W]	[A]	[dB]	[°C]
	①	220	50/60	1100	260	1.2	70	-25~+60

### Curves



SIGNAL	COLOR	SPEC	SIGNAL	COLOR	SPEC
L	BROWN	AC220V 50/60Hz	Vcc	RED	DC10V
N	BLUE	AC220V 50/60Hz	Vsp	YELLOW	0-10VDC/PWM
PE	YELLOW/GREEN	EARTH	GND	BLUE	GND
			FG	WHITE	1 Pulse/R

### Dimensions





## EC Backward Centrifugal Fans

Material: Sheet aluminium

Type of protection: IP44

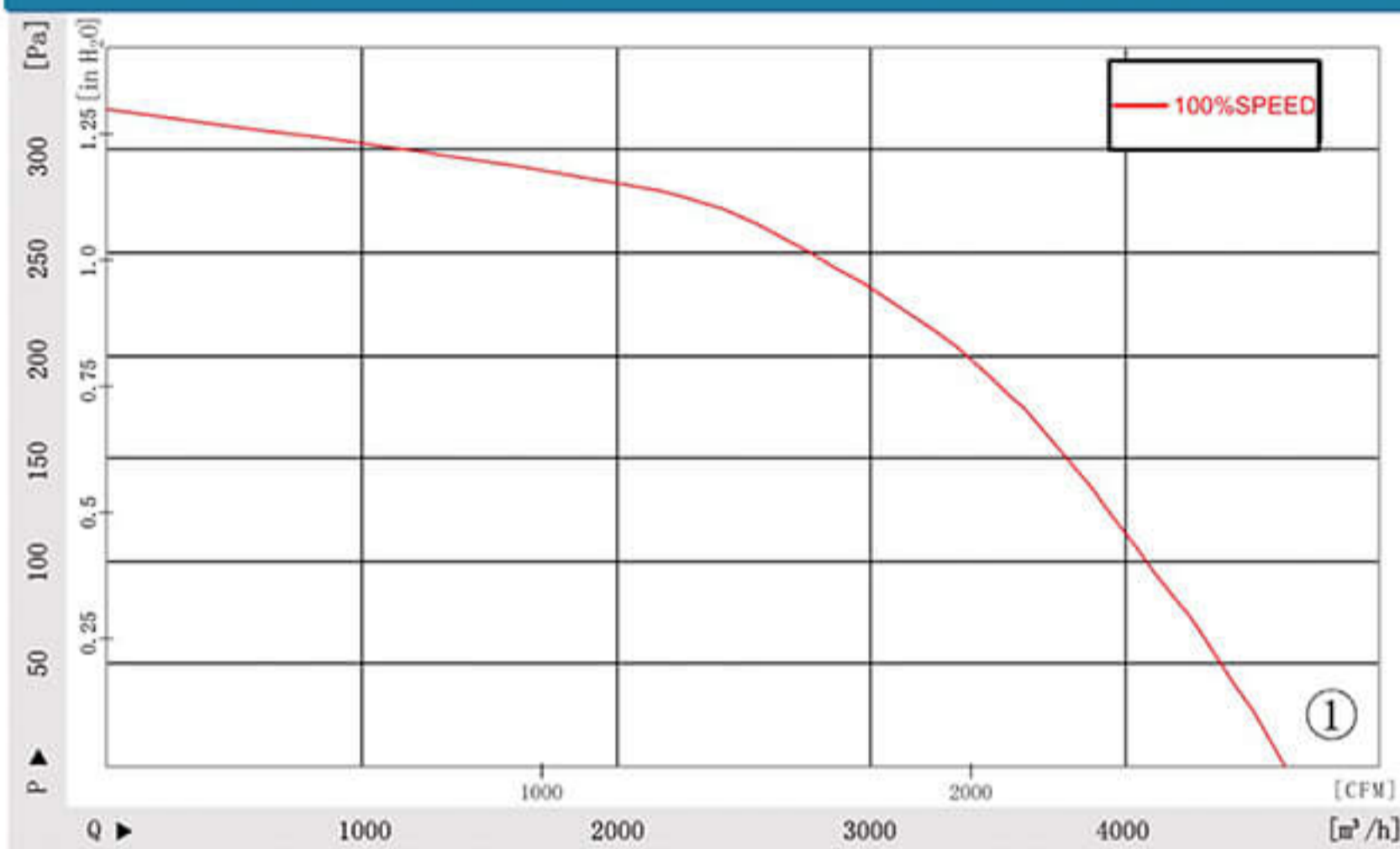
Approvals: CCC CE

Insulation class: B

### Specifications

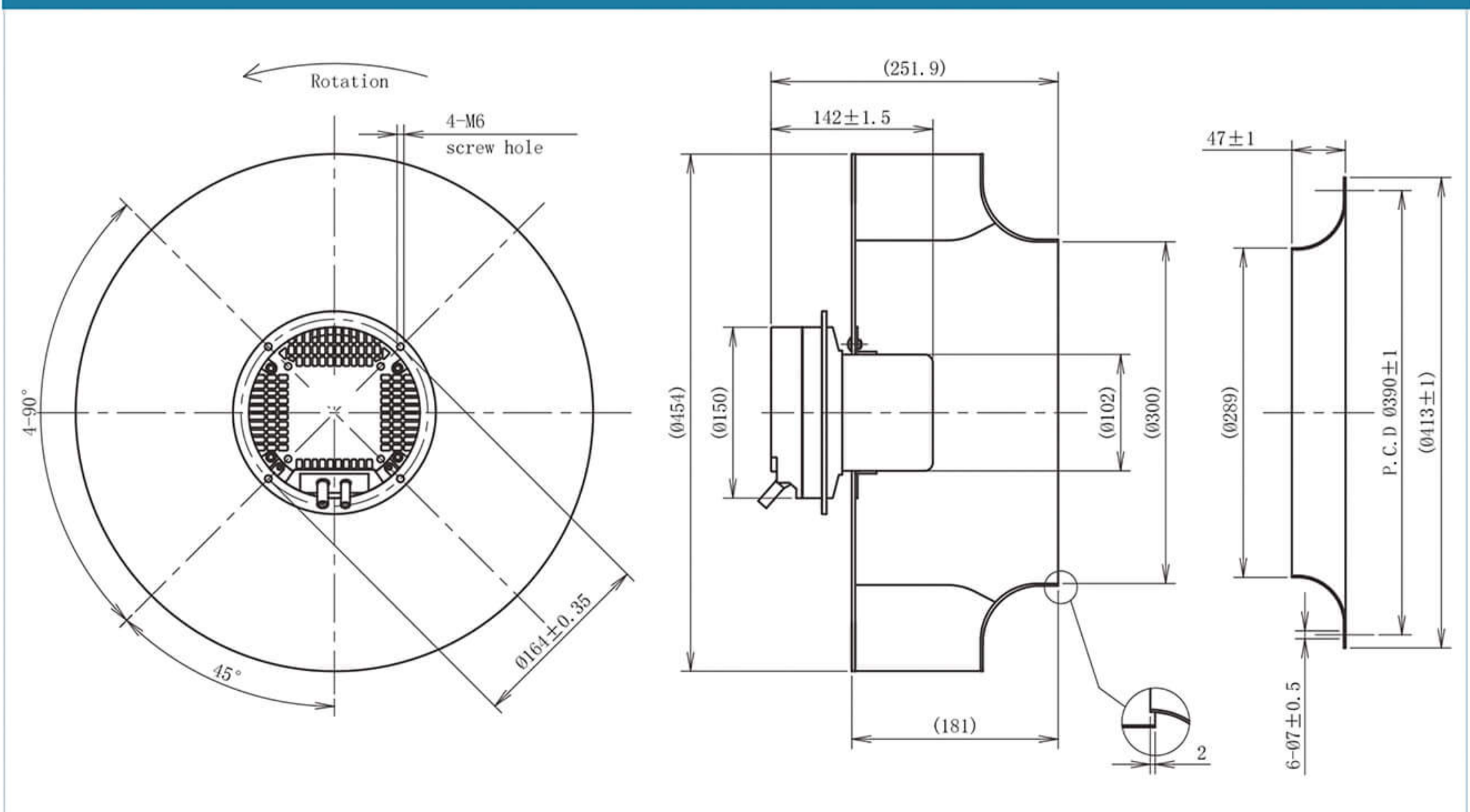
Type	Curve	Nominal voltage	Frequency	Speed	Power input	Current draw	Sound pressure level	Perm. amb. temp.
BMF450-EC102-100		[VAC]	[Hz]	[rpm]	[W]	[A]	[dB]	[°C]
	①	220	50/60	1100	260	1.2	70	-25~+60

### Curves



SIGNAL	COLOR	SPEC	SIGNAL	COLOR	SPEC
L	BROWN	AC220V 50/60Hz	Vcc	RED	DC10V
N	BLUE	AC220V 50/60Hz	Vsp	YELLOW	0-10VDC/PWM
PE	YELLOW/GREEN	EARTH	GND	BLUE	GND
			FG	WHITE	1 Pulse/R

### Dimensions





## EC Backward Centrifugal Fans

Material: Sheet steel

Type of protection: IP42

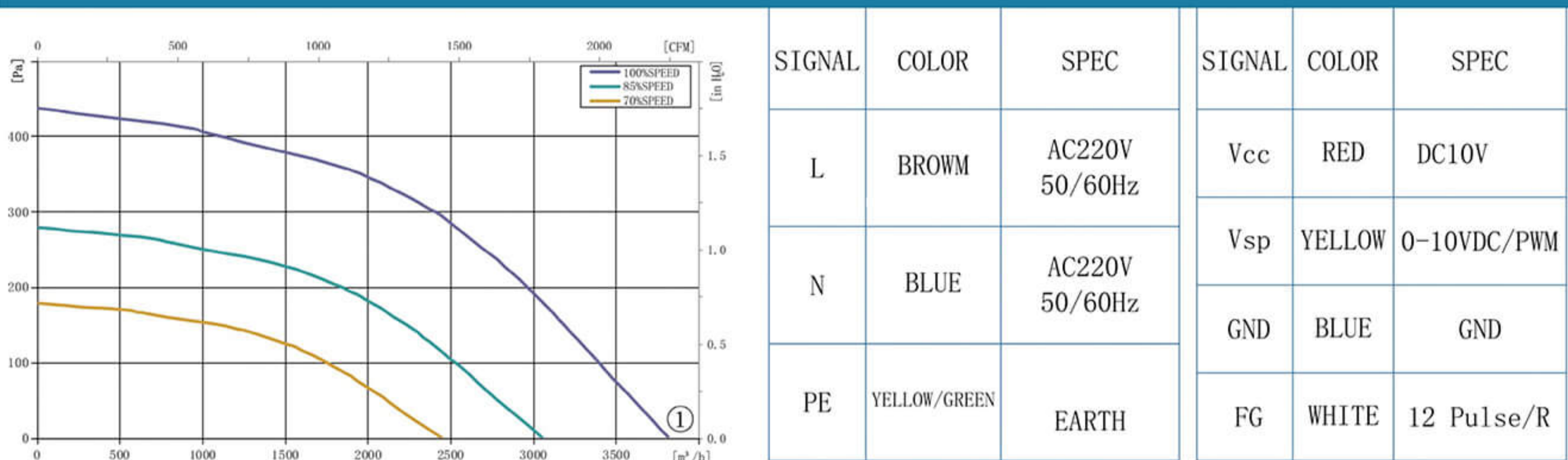
Approvals: CCC CE

Insulation class: B

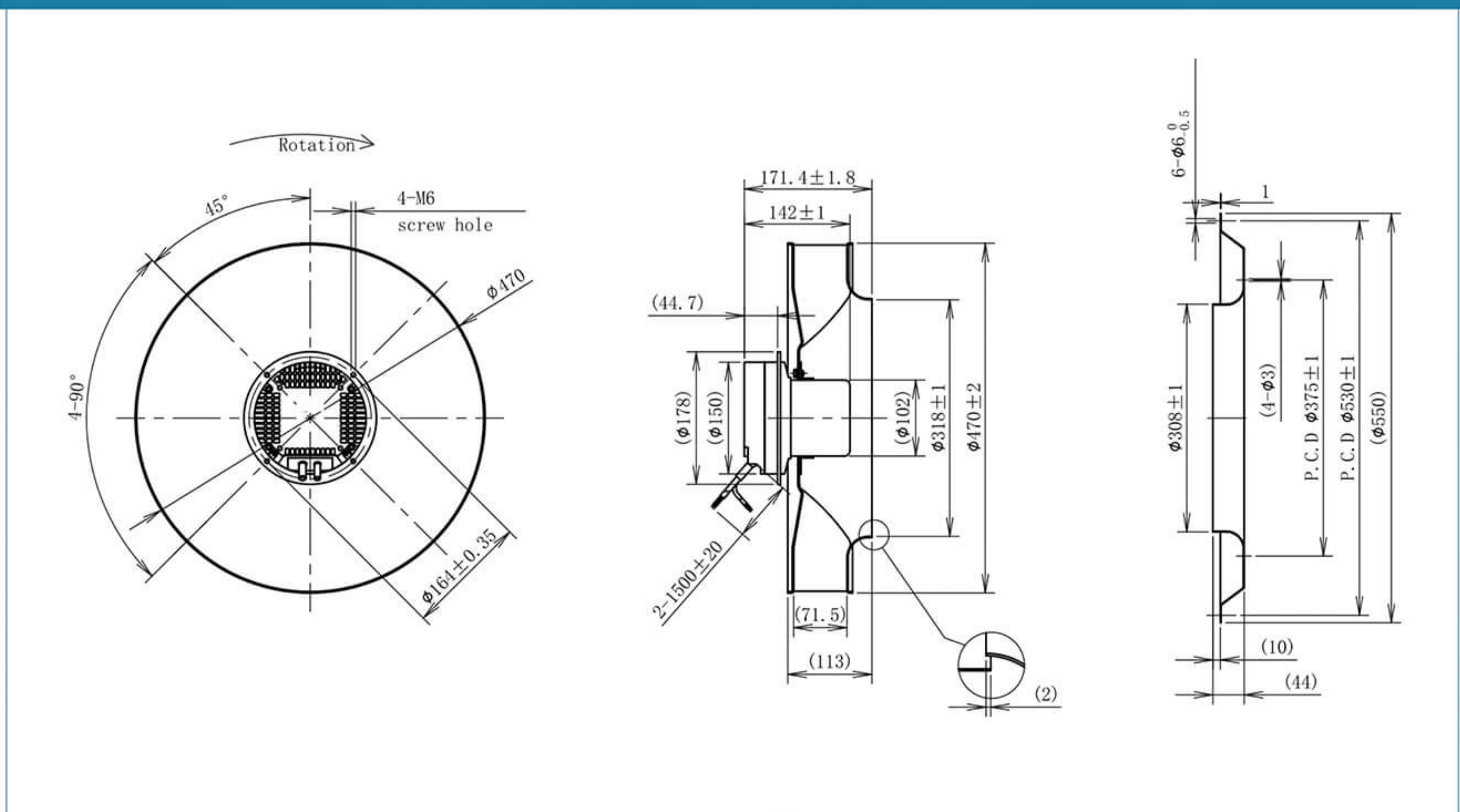
### Specifications

Type	Curve	Nominal voltage	Frequency	Speed	Power input	Current draw	Sound pressure level	Perm. amb. temp.
		[VAC]	[Hz]	[rpm]	[W]	[A]	[dB]	[°C]
BMF470-EC102-017	①	220	50/60	1260	220	1.0	69	-25~+60

### Curves



### Dimensions





## EC Backward Centrifugal Fans

Material: Sheet steel

Type of protection: IP42

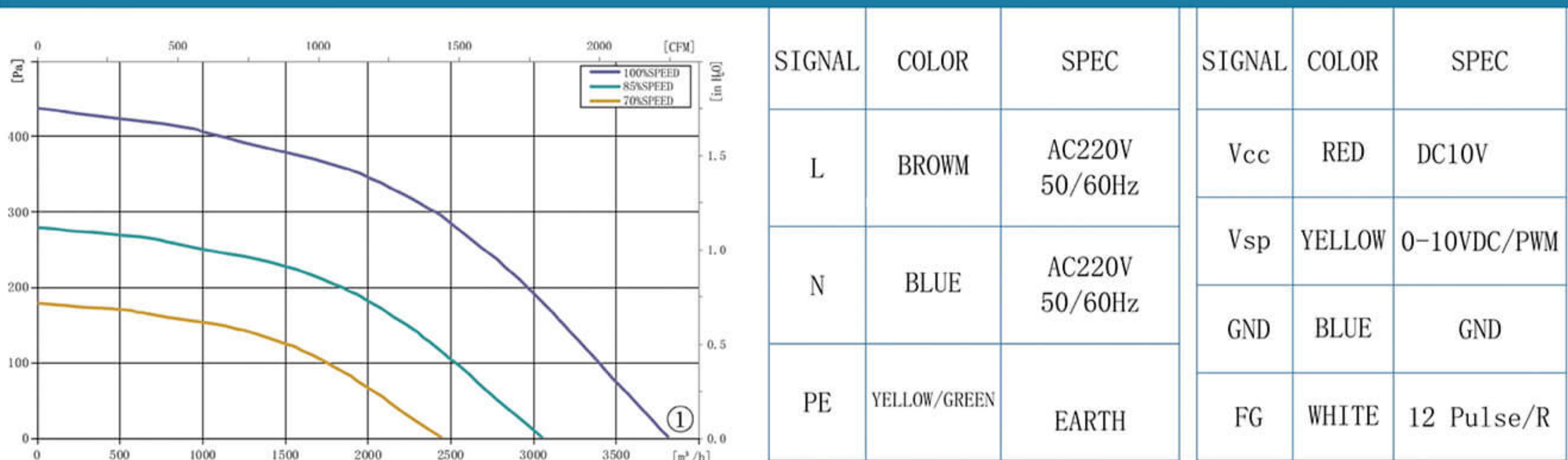
Approvals: CCC CE

Insulation class: B

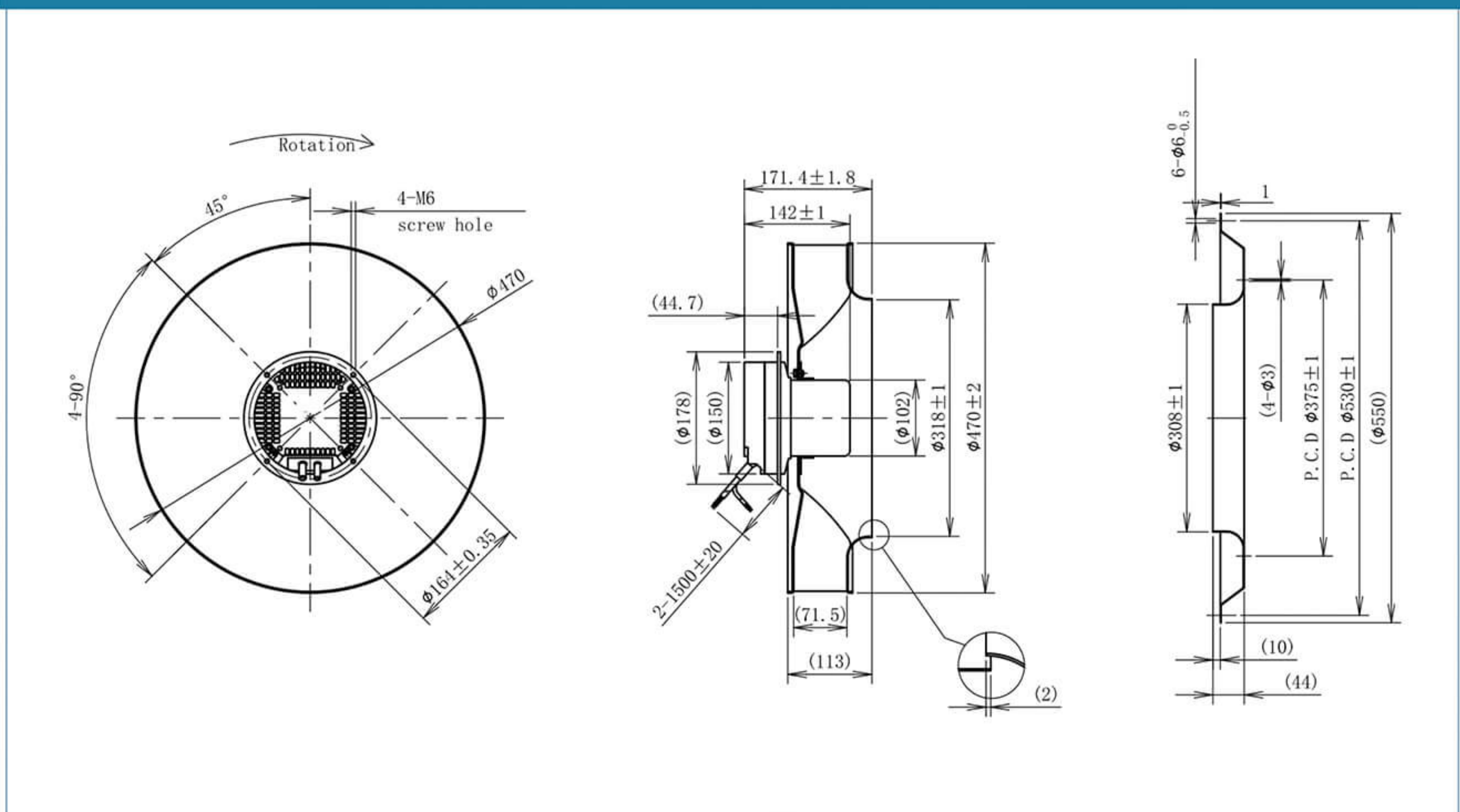
### Specifications

Type	Curve	Nominal voltage	Frequency	Speed	Power input	Current draw	Sound pressure level	Perm. amb. temp.
		[VAC]	[Hz]	[rpm]	[W]	[A]	[dB]	[°C]
BMF470-EC102-017	①	220	50/60	1260	220	1.0	69	-25~+60

### Curves



### Dimensions





## EC Backward Centrifugal Fans

Material: Sheet aluminium

Type of protection: IP44

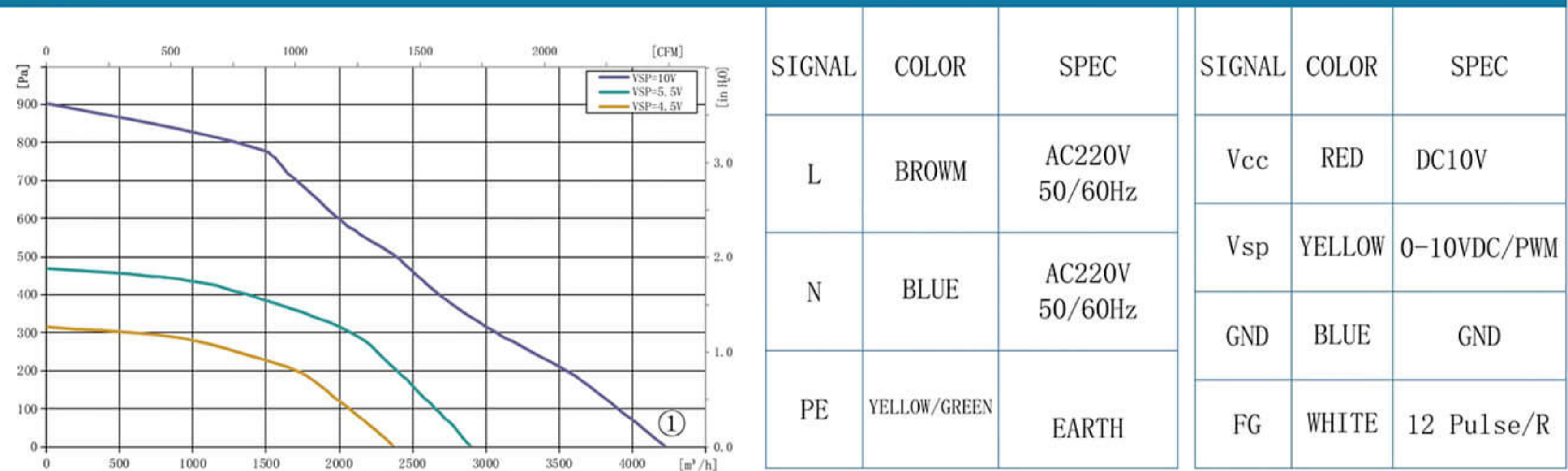
Approvals: CCC CE

Insulation class: F

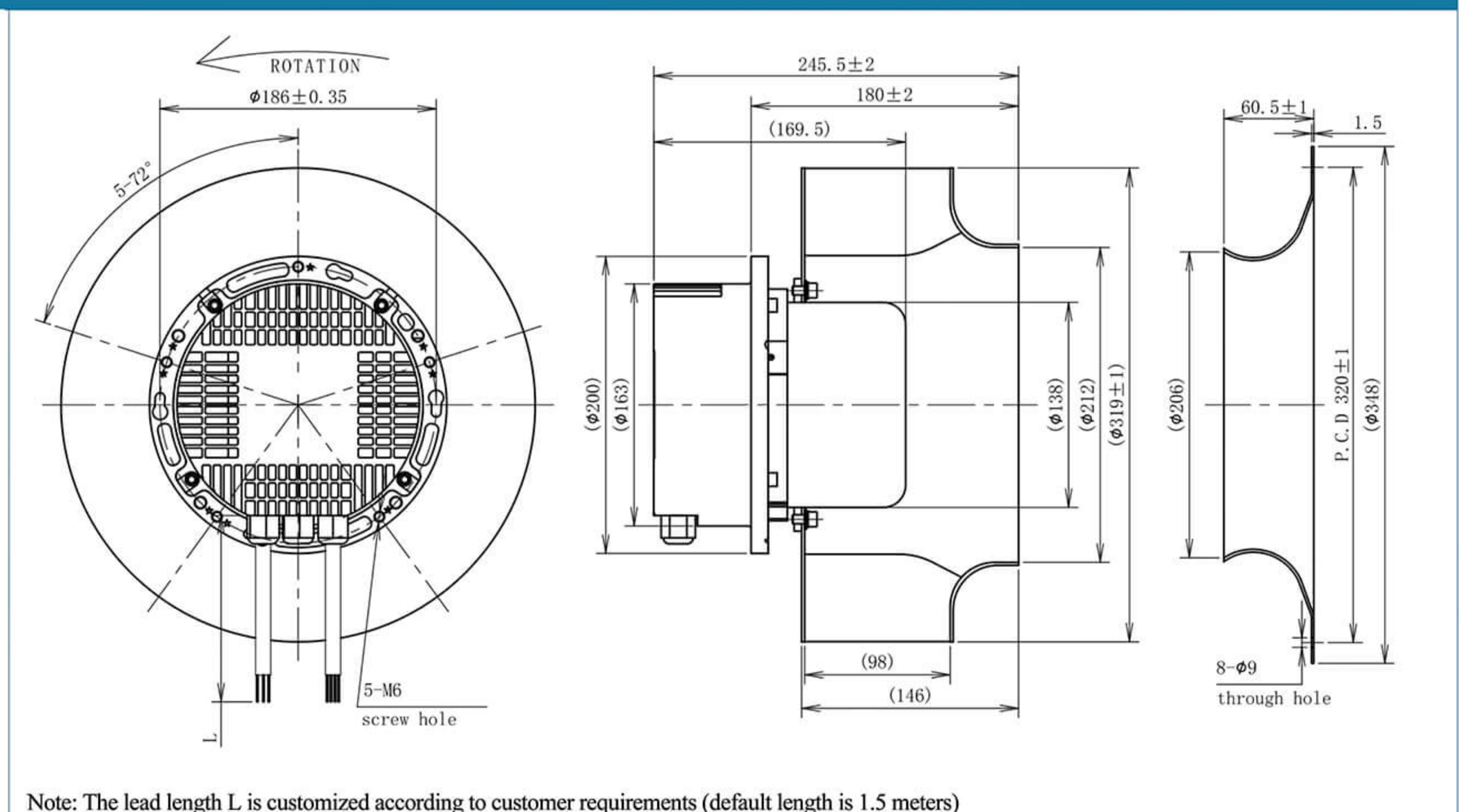
### Specifications

Type	Curve	Nominal voltage	Frequency	Speed	Power input	Current draw	Sound pressure level	Perm. amb. temp.
		[VAC]	[Hz]	[rpm]	[W]	[A]	[dB]	[°C]
BMF310-EC137-200	①	220	50/60	2600	730	3.4	85	-25~+60

### Curves



### Dimensions





## EC Backward Centrifugal Fans

Material: Sheet aluminium

Type of protection: IP44

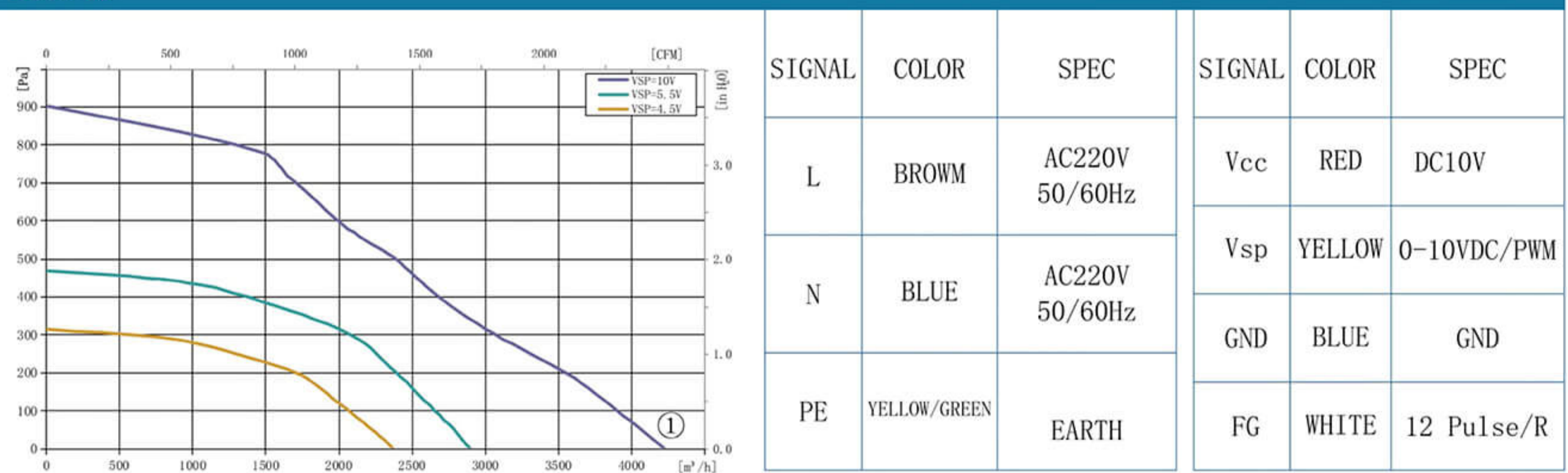
Approvals: CCC CE

Insulation class: F

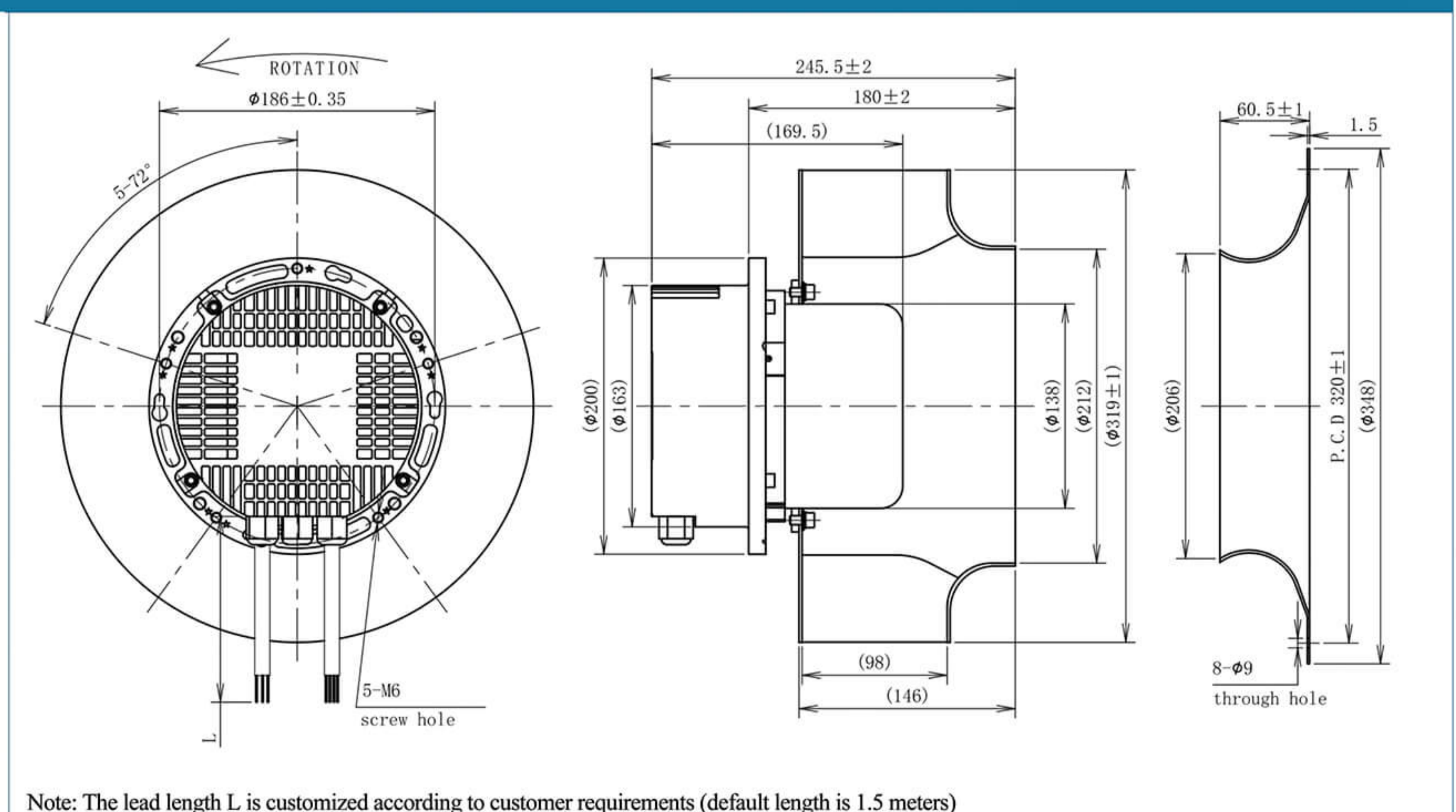
### Specifications

Type	Curve	Nominal voltage	Frequency	Speed	Power input	Current draw	Sound pressure level	Perm. amb. temp.
		[VAC]	[Hz]	[rpm]	[W]	[A]	[dB]	[°C]
BMF310-EC137-200	①	220	50/60	2600	730	3.4	85	-25~+60

### Curves



### Dimensions







## EC Backward Centrifugal Fans

Material: Sheet aluminium

Type of protection: IP44

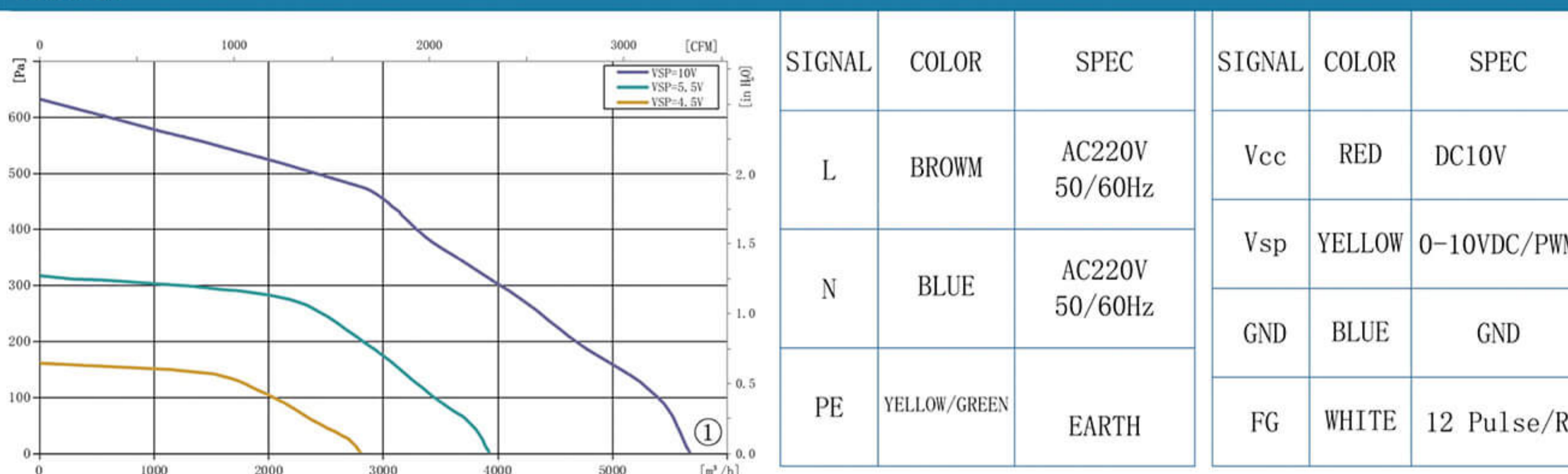
Approvals: CCC CE

Insulation class: F

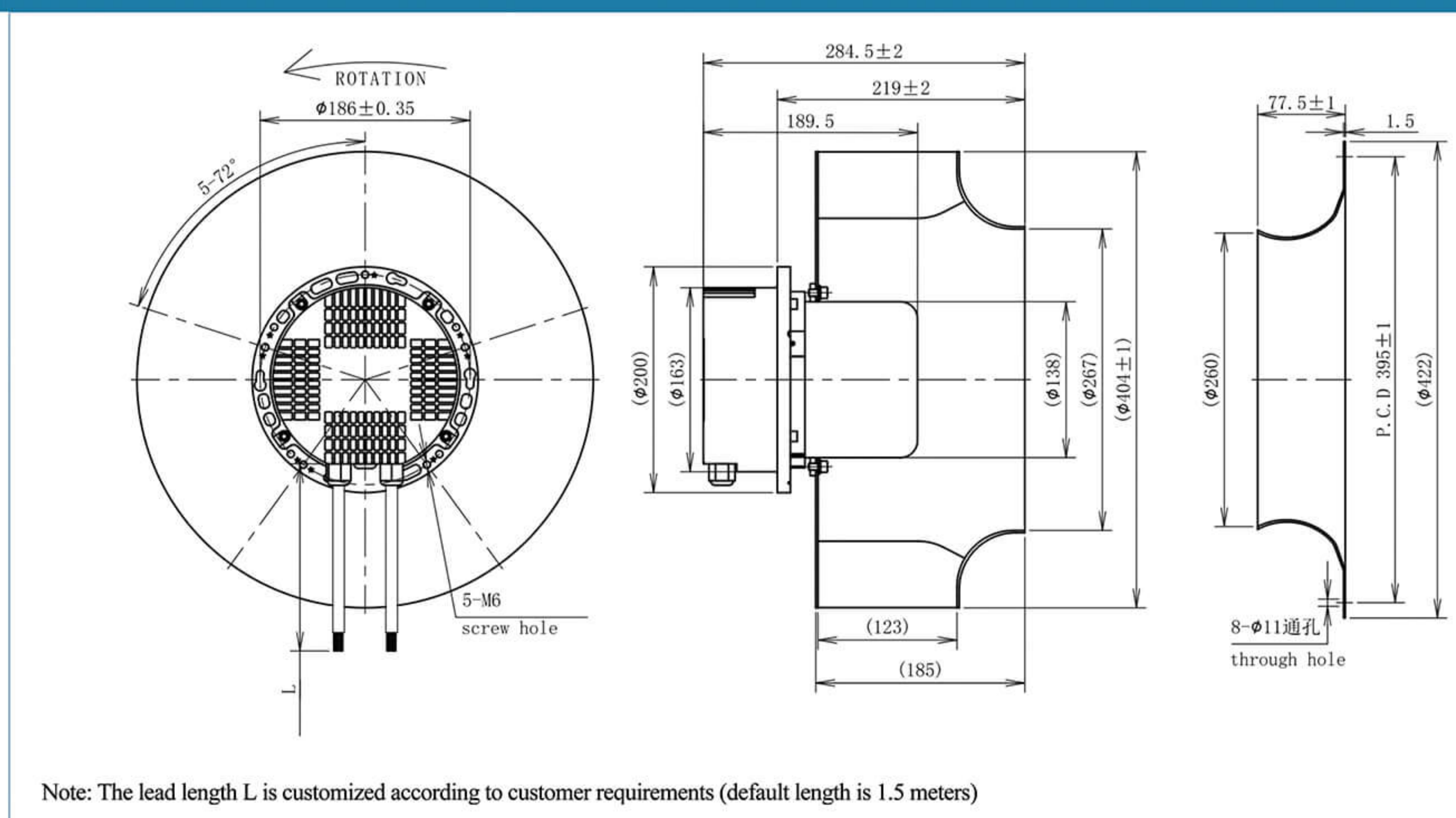
### Specifications

Type	Curve	Nominal voltage	Frequency	Speed	Power input	Current draw	Sound pressure level	Perm. amb. temp.
		[VAC]	[Hz]	[rpm]	[W]	[A]	[dB]	[°C]
BMF400-EC137-200	①	220	50/60	1700	725	3.4	80	-25~+60

### Curves



### Dimensions





## EC Backward Centrifugal Fans

Material: Sheet aluminium

Type of protection: IP44

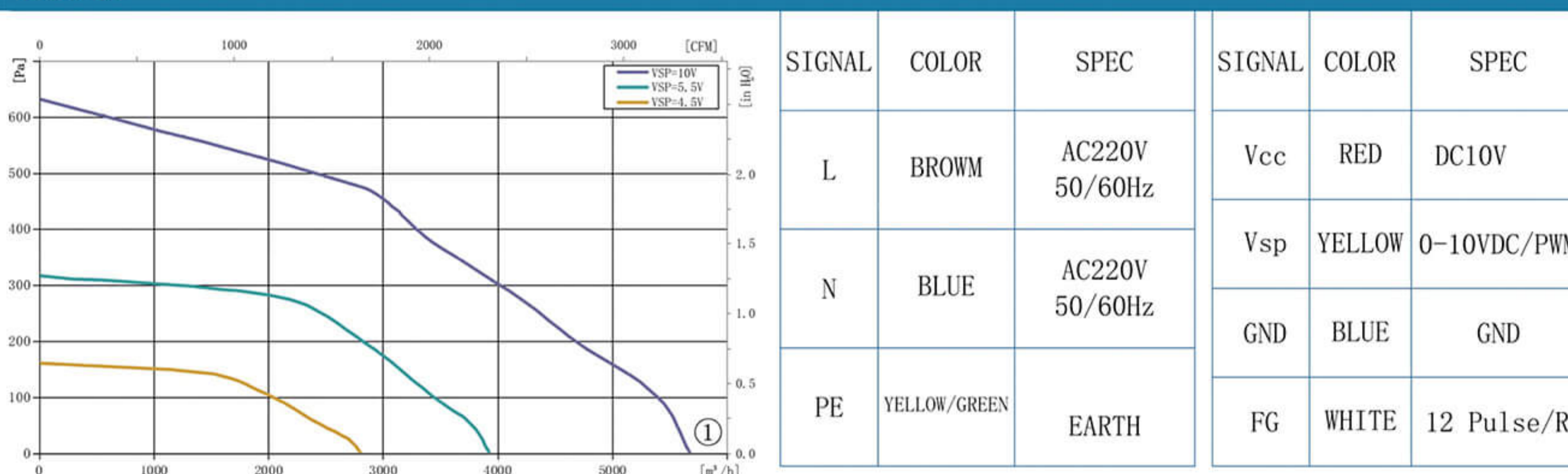
Approvals: CCC CE

Insulation class: F

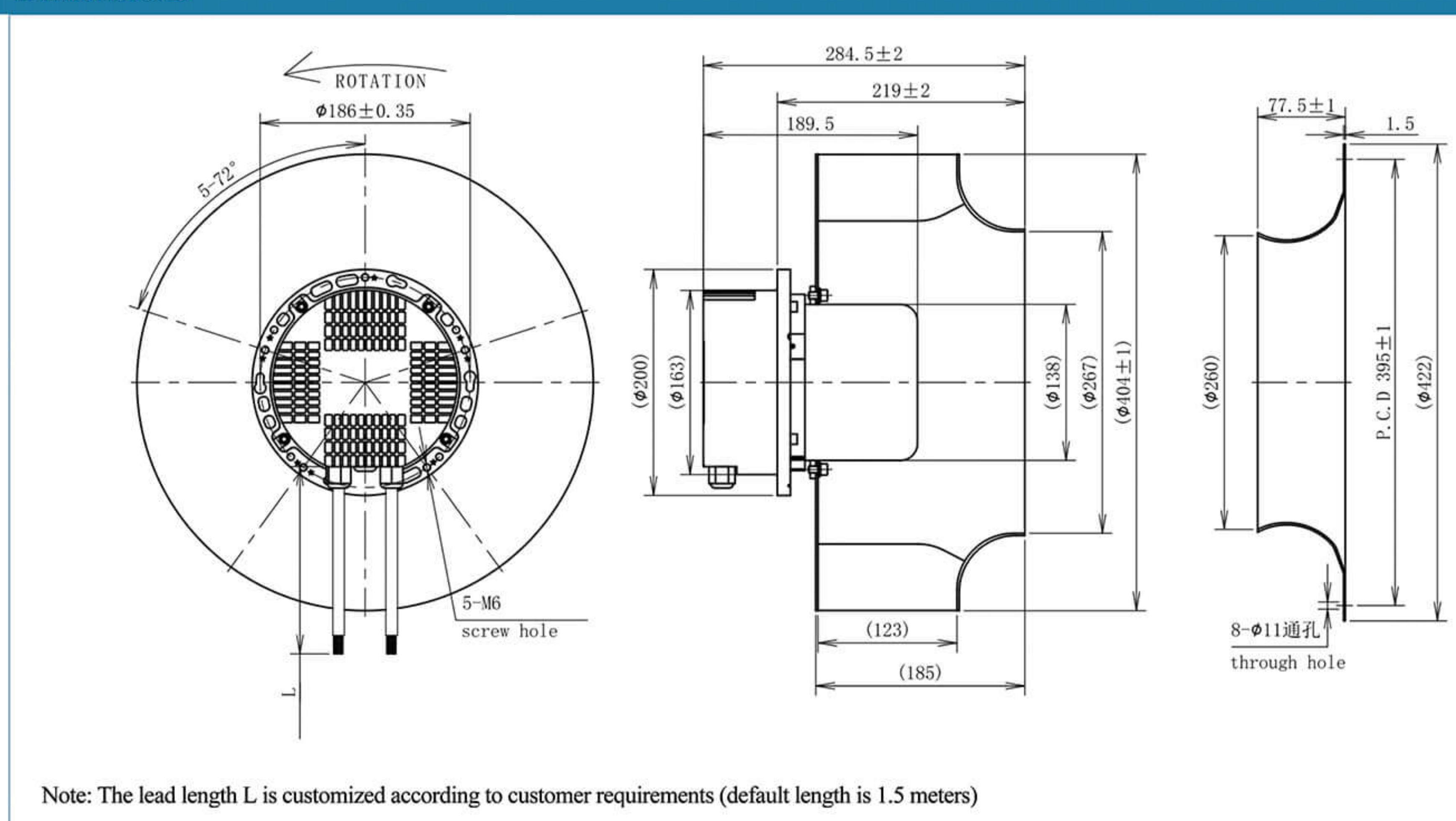
### Specifications

Type	Curve	Nominal voltage	Frequency	Speed	Power input	Current draw	Sound pressure level	Perm. amb. temp.
		[VAC]	[Hz]	[rpm]	[W]	[A]	[dB]	[°C]
BMF400-EC137-200	①	220	50/60	1700	725	3.4	80	-25~+60

### Curves



### Dimensions





## EC Backward Centrifugal Fans

Material: Sheet aluminium

Type of protection: IP44

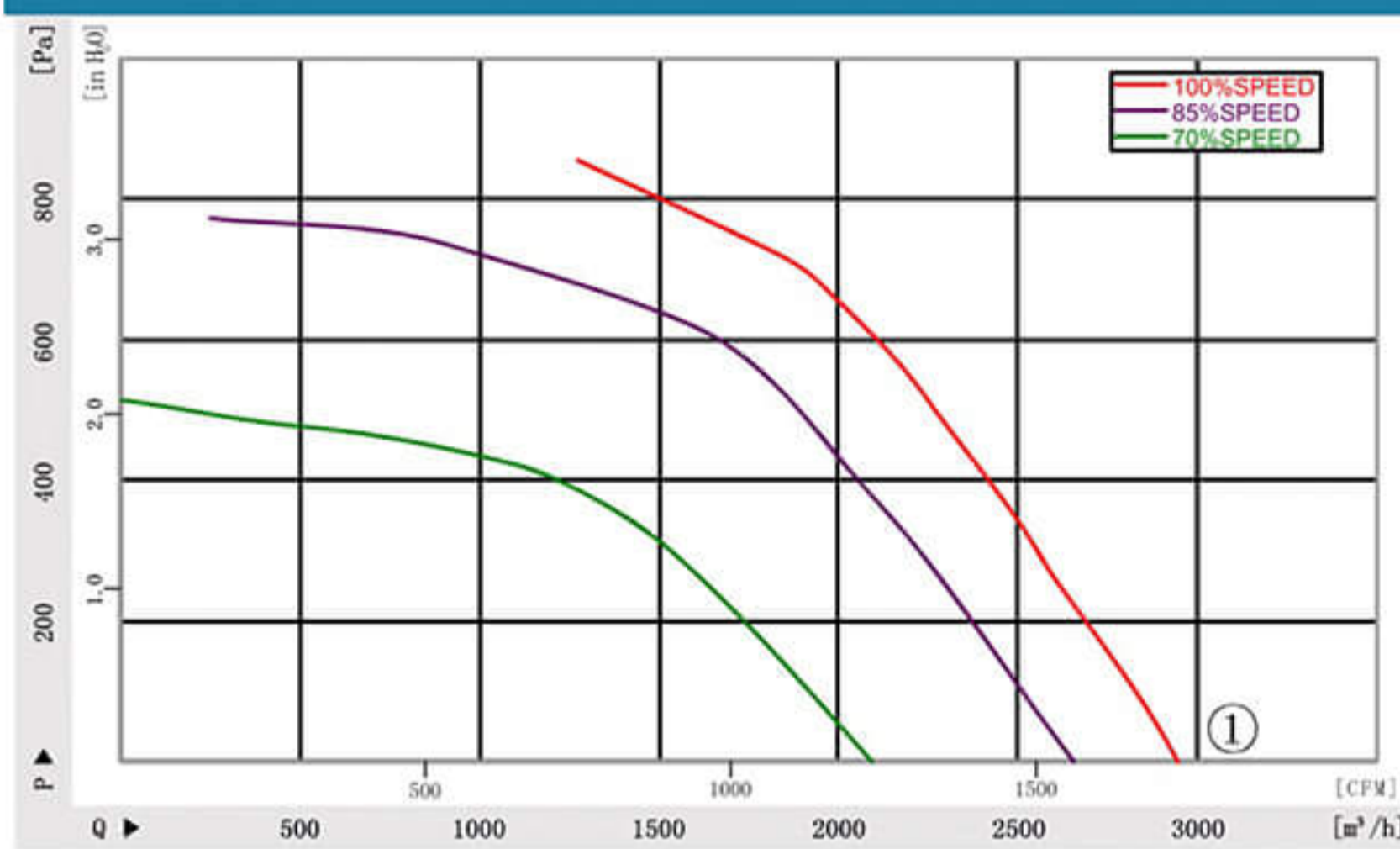
Approvals: CCC CE

Insulation class: F

### Specifications

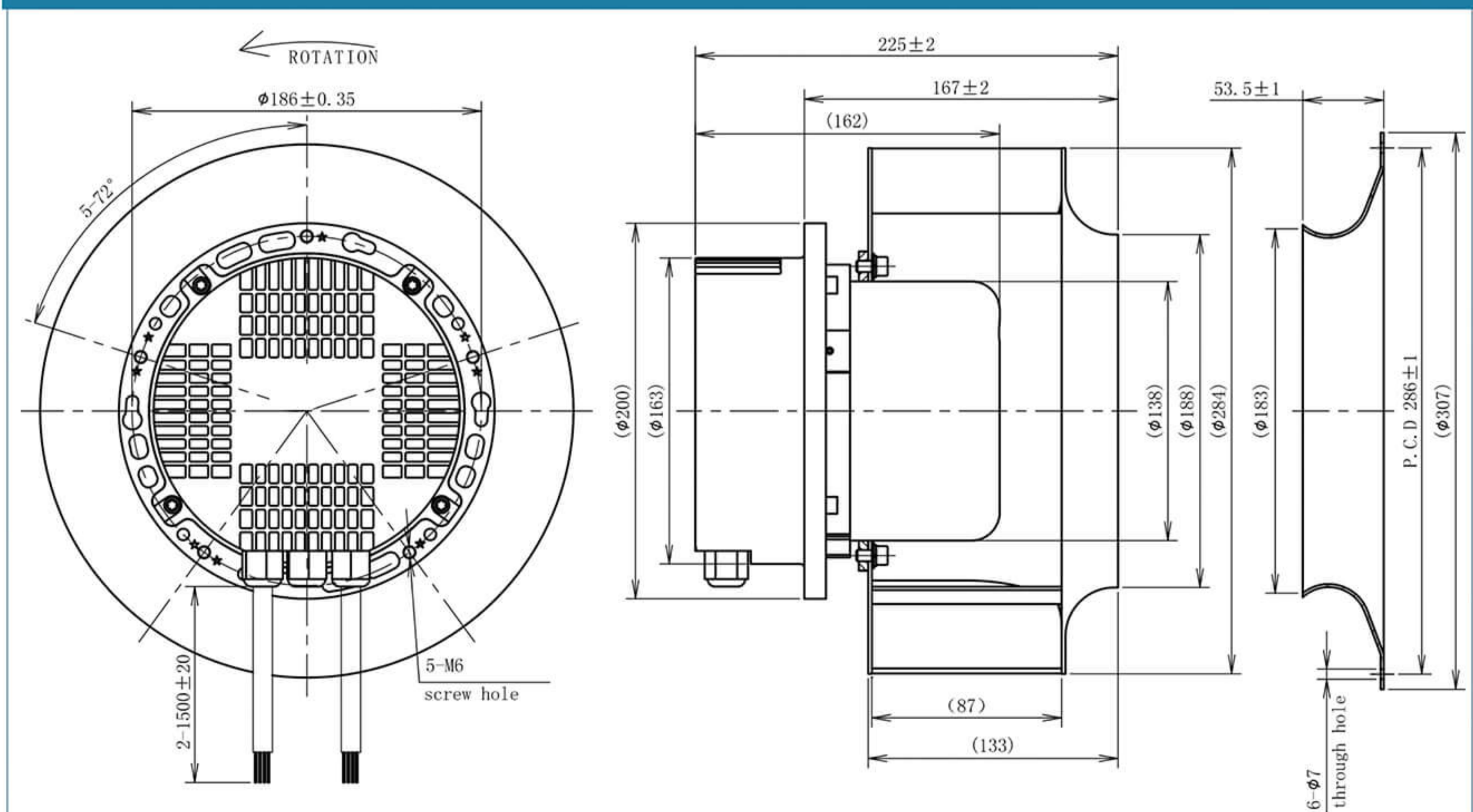
Type	Curve	Nominal voltage	Frequency	Speed	Power input	Current draw	Sound pressure level	Perm. amb. temp.
		[VAC]	[Hz]	[rpm]	[W]	[A]	[dB]	[°C]
BMF280-EC137-100	①	3~380	50/60	2850	780	1.1	82	-25~+60

### Curves



SIGNAL	COLOR	SPEC	SIGNAL	COLOR	SPEC
L1	BLACK	AC380V 50/60Hz	Vcc	RED	DC10V
L2	BLACK	AC380V 50/60Hz	Vsp	YELLOW	0-10VDC/PWM
L3	BLACK	AC380V 50/60Hz	GND	BLUE	GND
PE	YELLOW/GREEN	EARTH	FG	WHITE	12 Pulse/R

### Dimensions





## EC Backward Centrifugal Fans

Material: Sheet aluminium

Type of protection: IP44

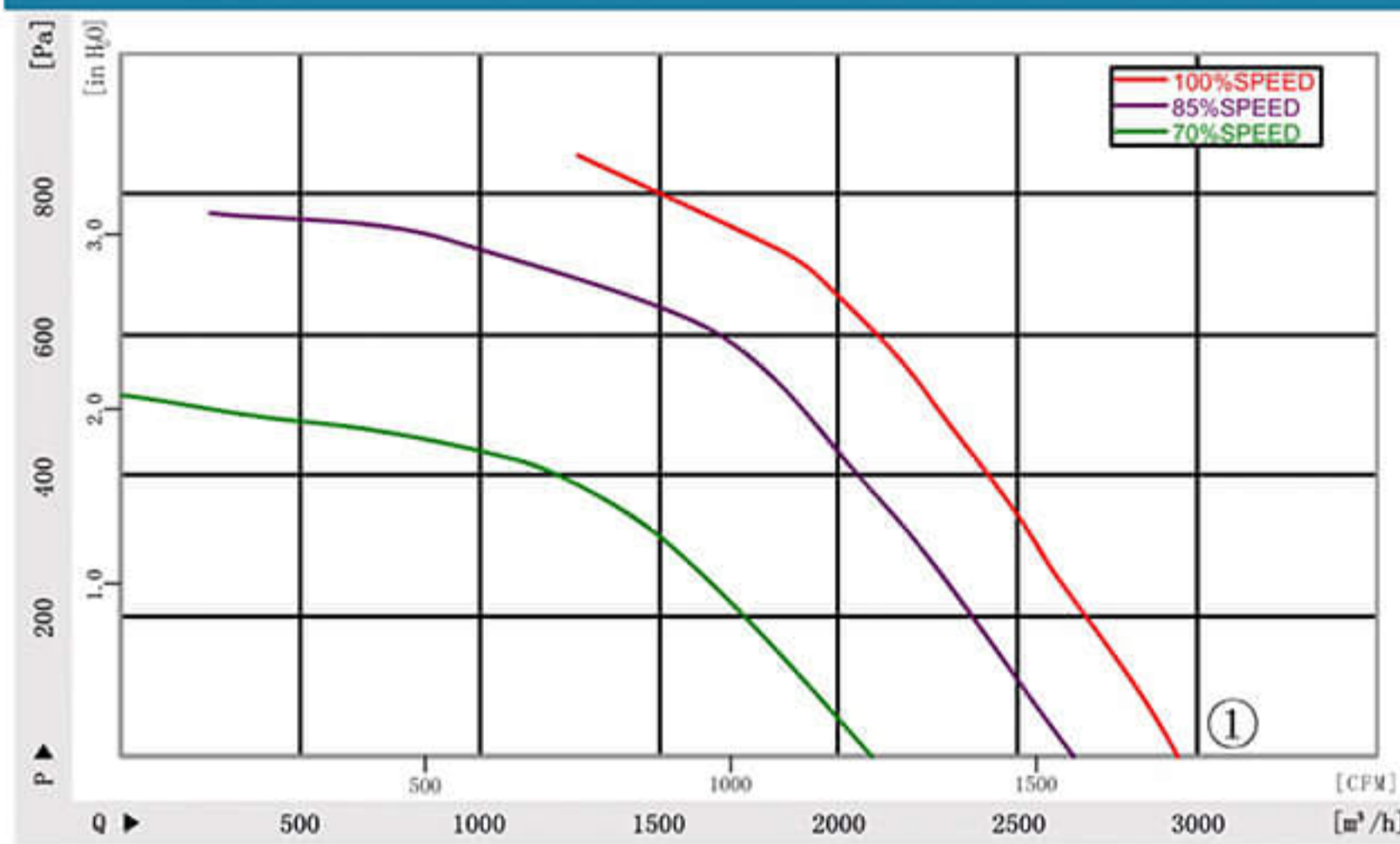
Approvals: CCC CE

Insulation class: F

### Specifications

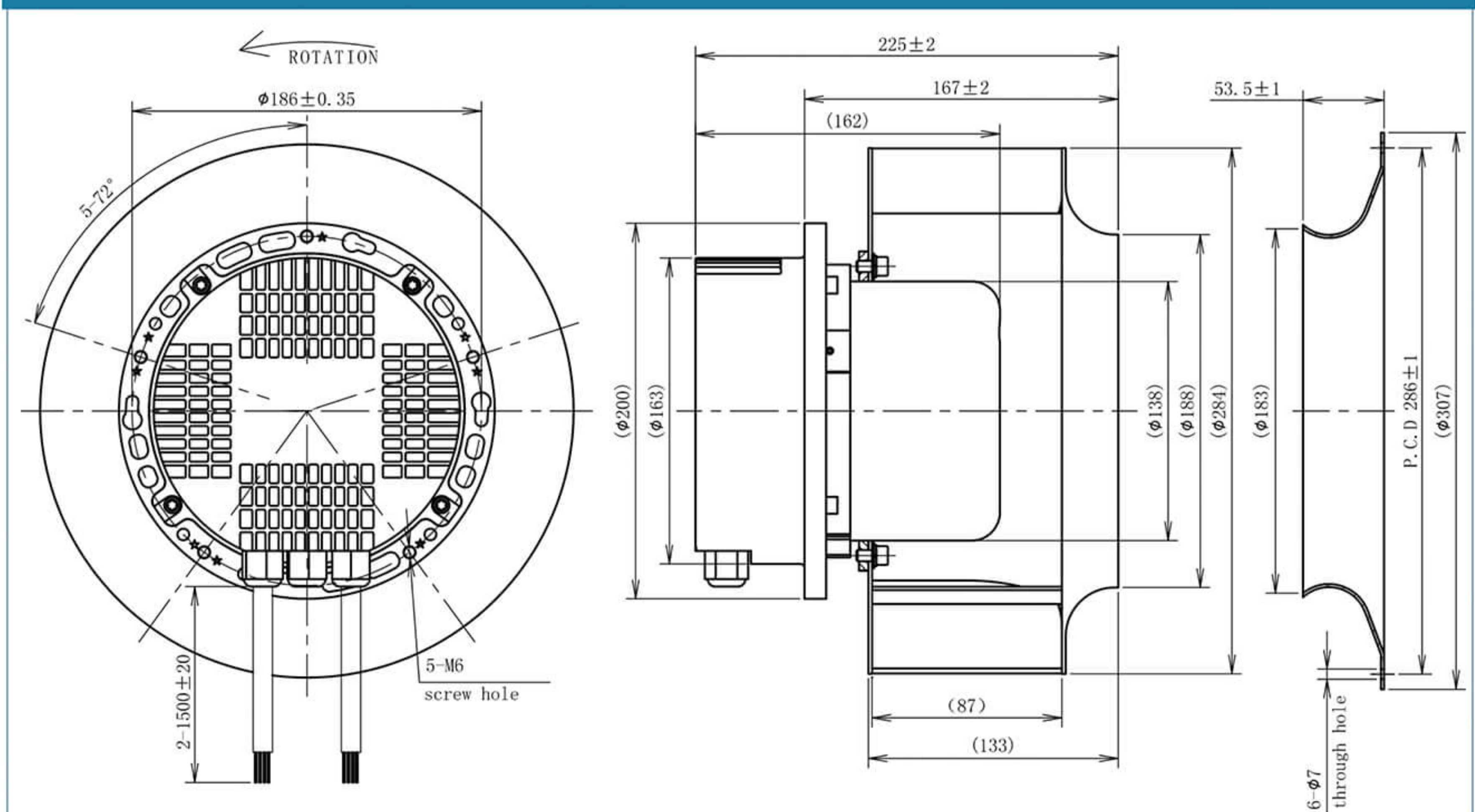
Type	Curve	Nominal voltage	Frequency	Speed	Power input	Current draw	Sound pressure level	Perm. amb. temp.
		[VAC]	[Hz]	[rpm]	[W]	[A]	[dB]	[°C]
BMF280-EC137-100	①	3~380	50/60	2850	780	1.1	82	-25~+60

### Curves



SIGNAL	COLOR	SPEC	SIGNAL	COLOR	SPEC
L1	BLACK	AC380V 50/60Hz	Vcc	RED	DC10V
L2	BLACK	AC380V 50/60Hz	Vsp	YELLOW	0-10VDC/PWM
L3	BLACK	AC380V 50/60Hz	GND	BLUE	GND
PE	YELLOW/GREEN	EARTH	FG	WHITE	12 Pulse/R

### Dimensions





## EC Backward Centrifugal Fans

Material: Sheet aluminium

Type of protection: IP44

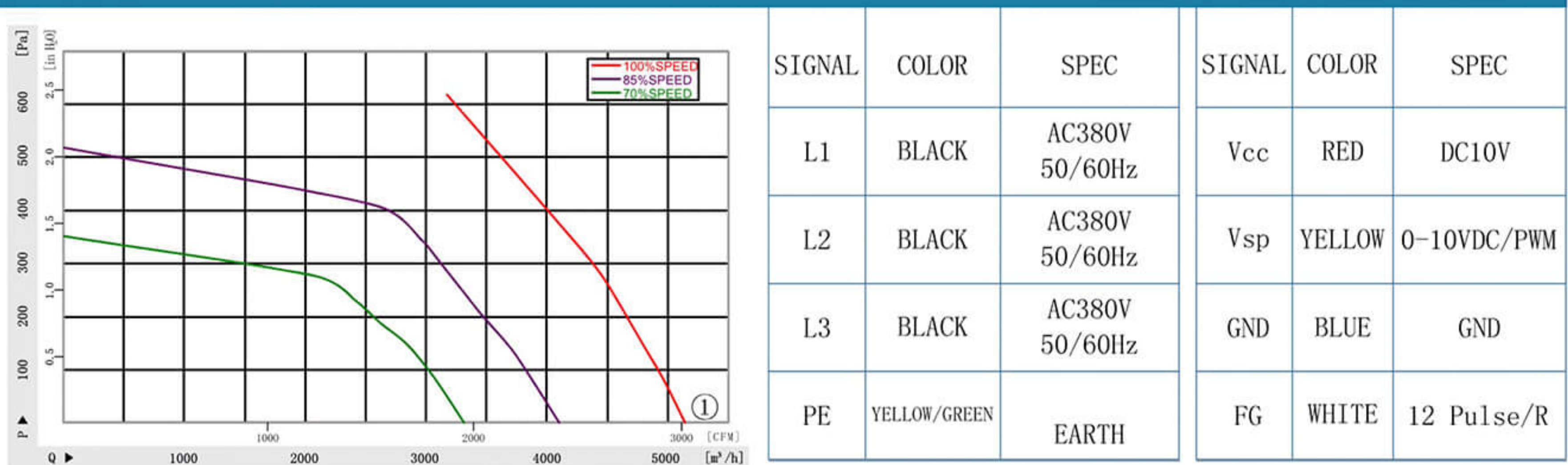
Approvals: CCC CE

Insulation class: F

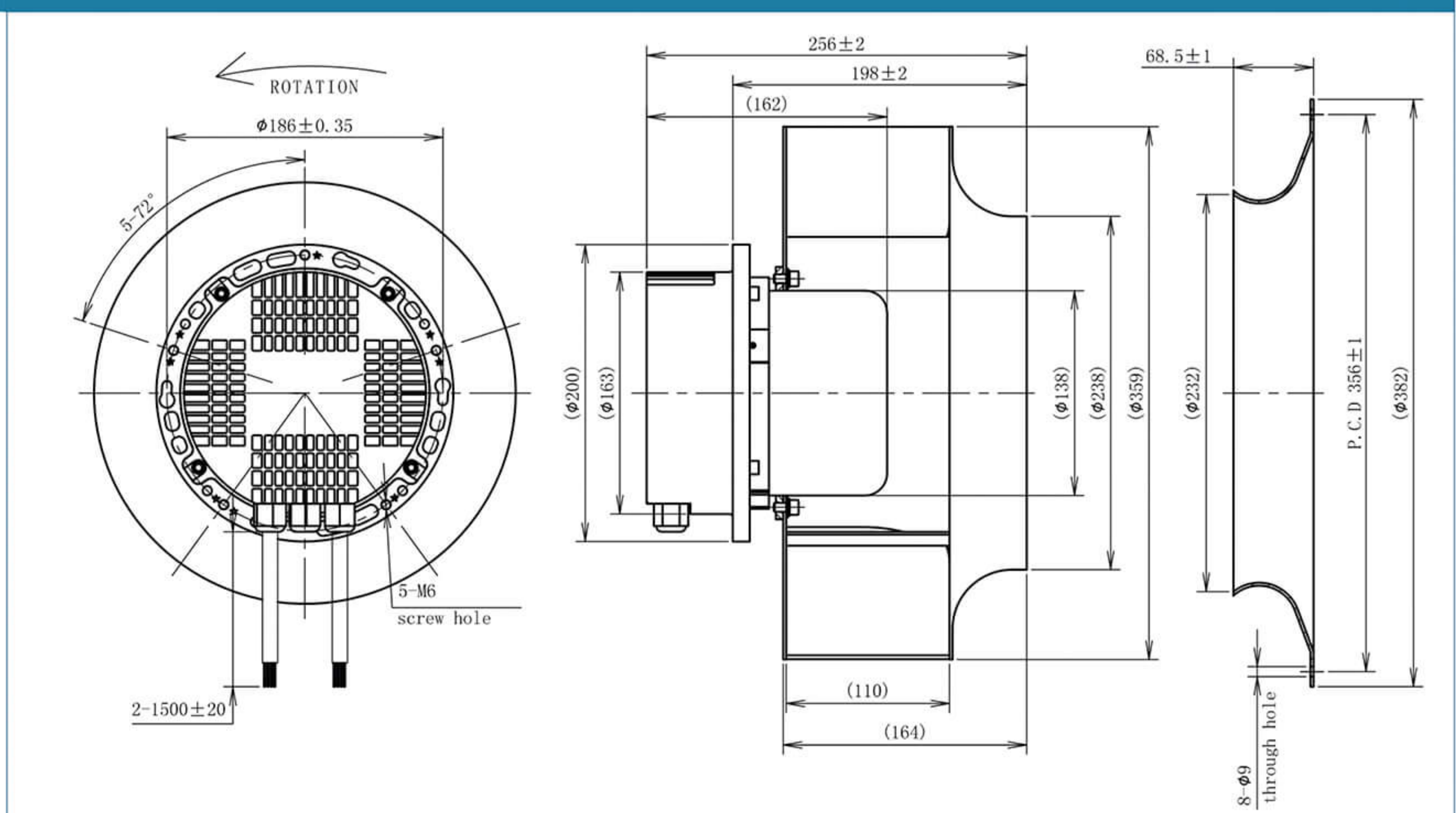
### Specifications

Type	Curve	Nominal voltage	Frequency	Speed	Power input	Current draw	Sound pressure level	Perm. amb. temp.
BMF355-EC137-100		[VAC]	[Hz]	[rpm]	[W]	[A]	[dB]	[°C]
	①	3~380	50/60	2100	990	1.63	79	-25~+60

### Curves



### Dimensions





## EC Backward Centrifugal Fans

Material: Sheet aluminium

Type of protection: IP44

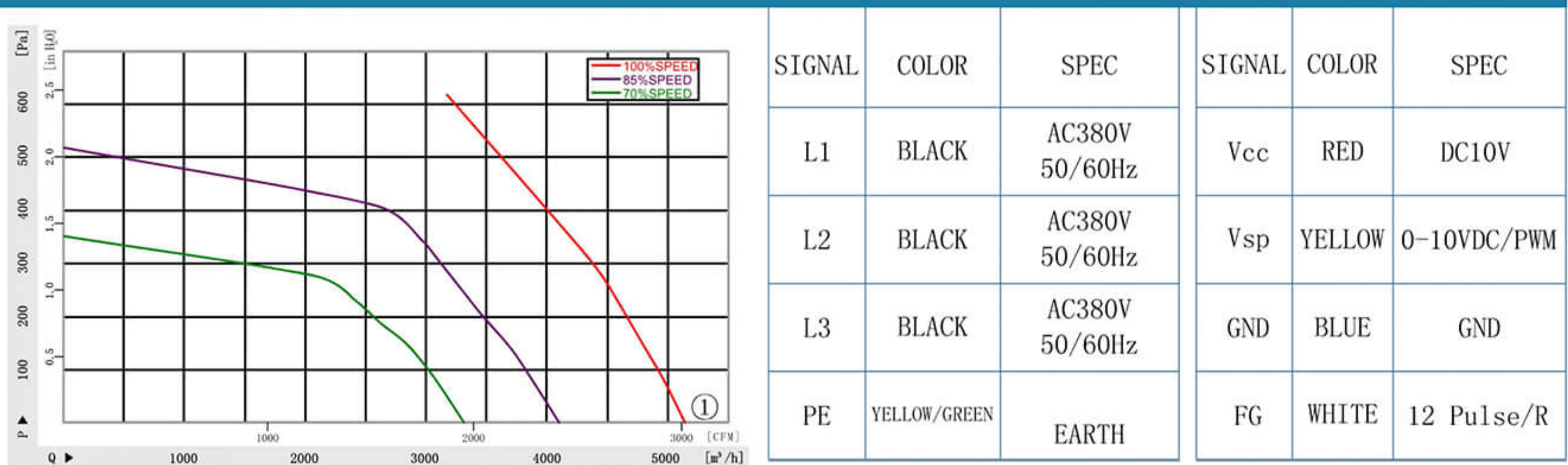
Approvals: CCC CE

Insulation class: F

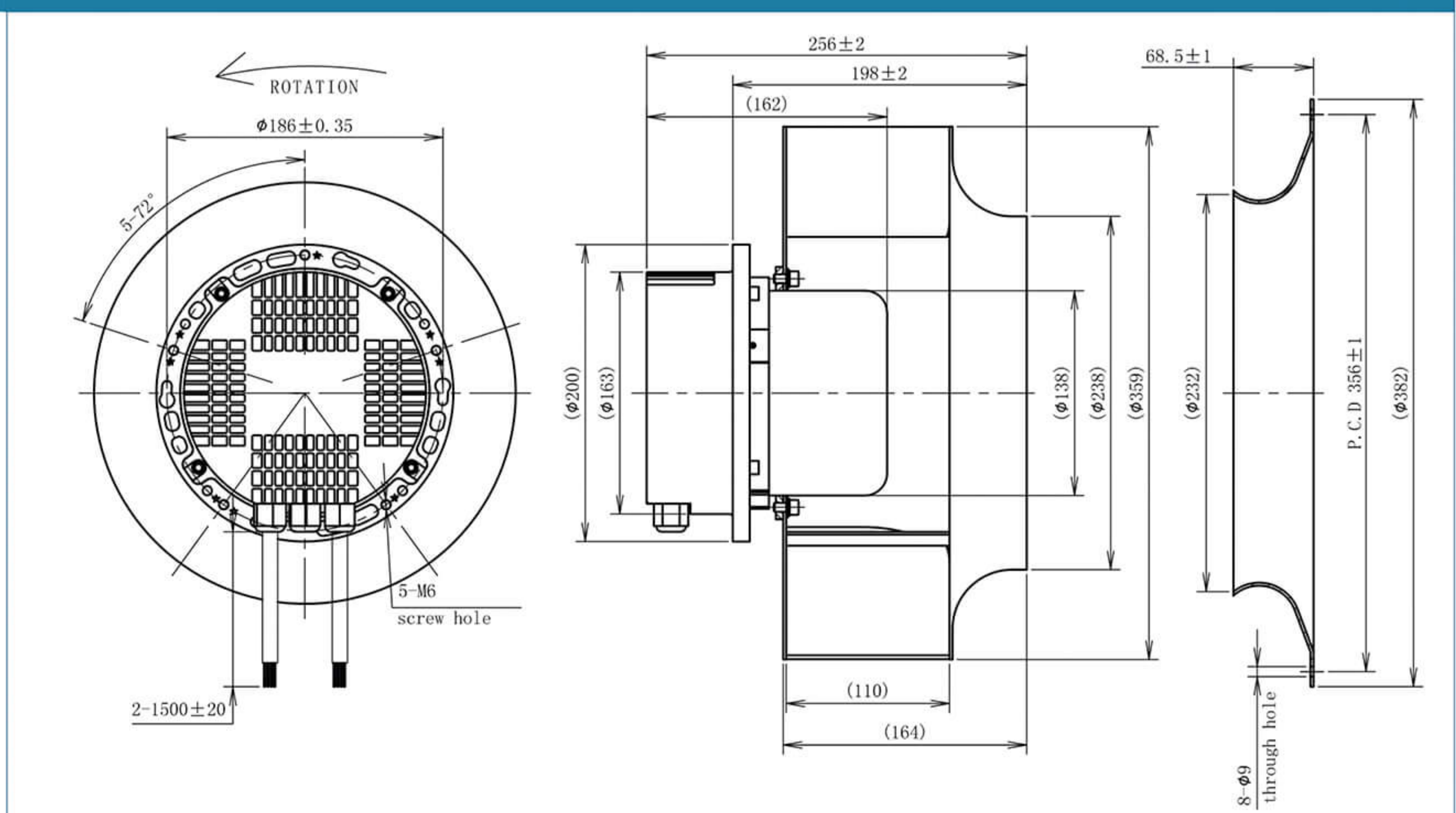
### Specifications

Type	Curve	Nominal voltage	Frequency	Speed	Power input	Current draw	Sound pressure level	Perm. amb. temp.
BMF355-EC137-100		[VAC]	[Hz]	[rpm]	[W]	[A]	[dB]	[°C]
	①	3~380	50/60	2100	990	1.63	79	-25~+60

### Curves



### Dimensions





## EC Backward Centrifugal Fans

Material: Sheet aluminium

Type of protection: IP44

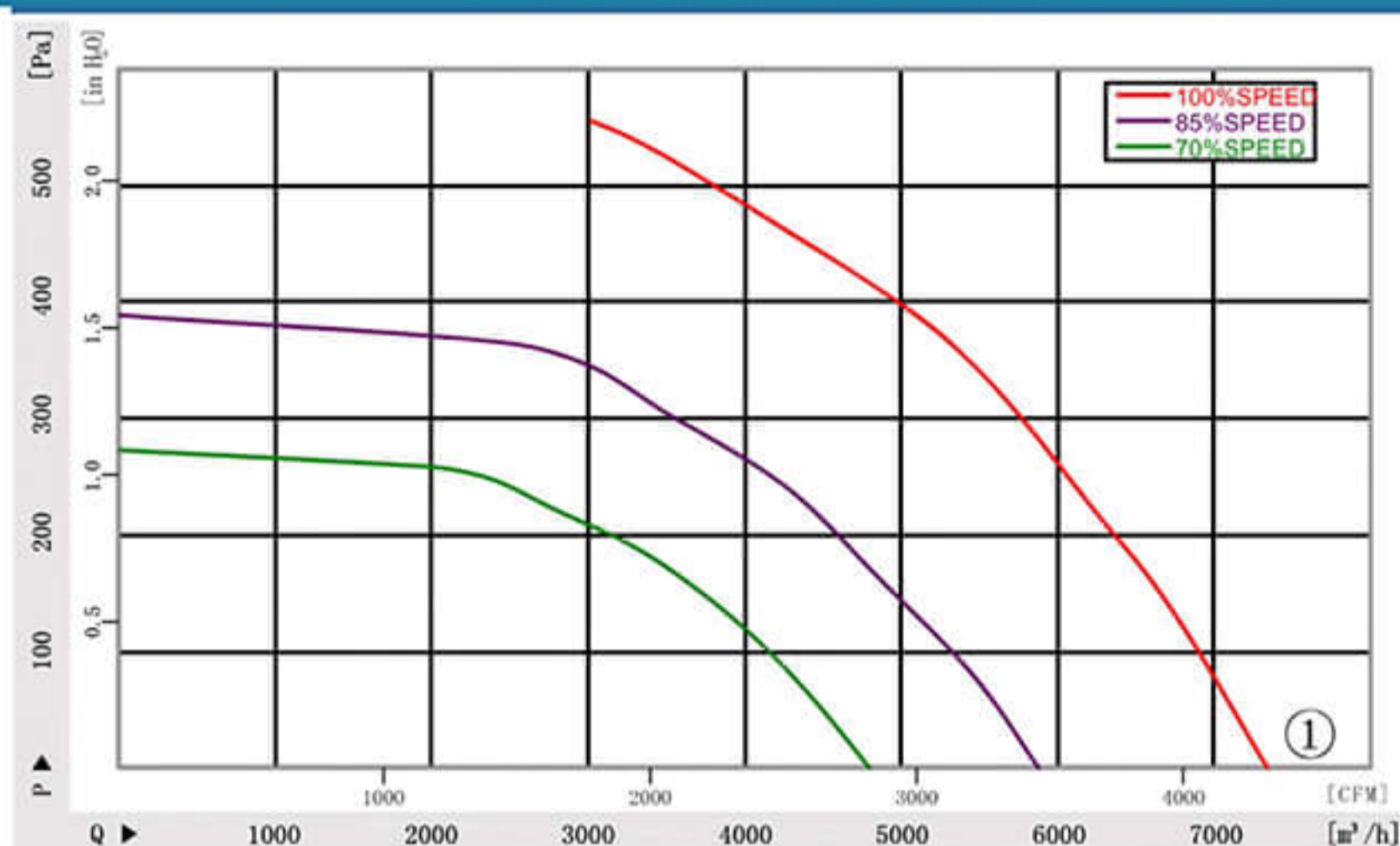
Approvals: CCC CE

Insulation class: F

### Specifications

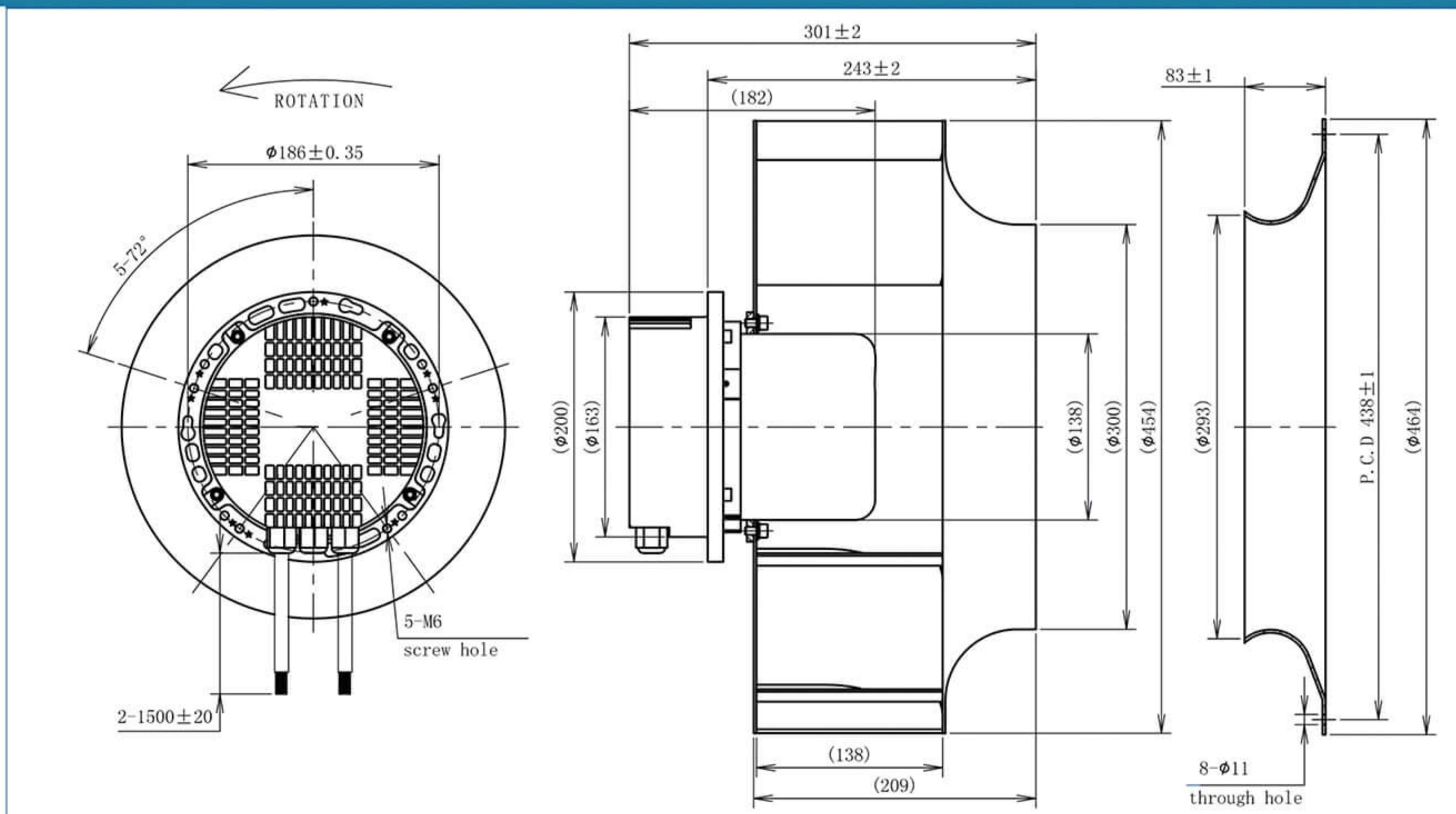
Type	Curve	Nominal voltage	Frequency	Speed	Power input	Current draw	Sound pressure level	Perm. amb. temp.
BMF450-EC137-100		[VAC]	[Hz]	[rpm]	[W]	[A]	[dB]	[°C]
	①	3~380	50/60	1450	1000	1.67	73	-25~+60

### Curves



SIGNAL	COLOR	SPEC	SIGNAL	COLOR	SPEC
L1	BLACK	AC380V 50/60Hz	Vcc	RED	DC10V
L2	BLACK	AC380V 50/60Hz	Vsp	YELLOW	0-10VDC/PWM
L3	BLACK	AC380V 50/60Hz	GND	BLUE	GND
PE	YELLOW/GREEN	EARTH	FG	WHITE	12 Pulse/R

### Dimensions





## EC Backward Centrifugal Fans

Material: Sheet aluminium

Type of protection: IP44

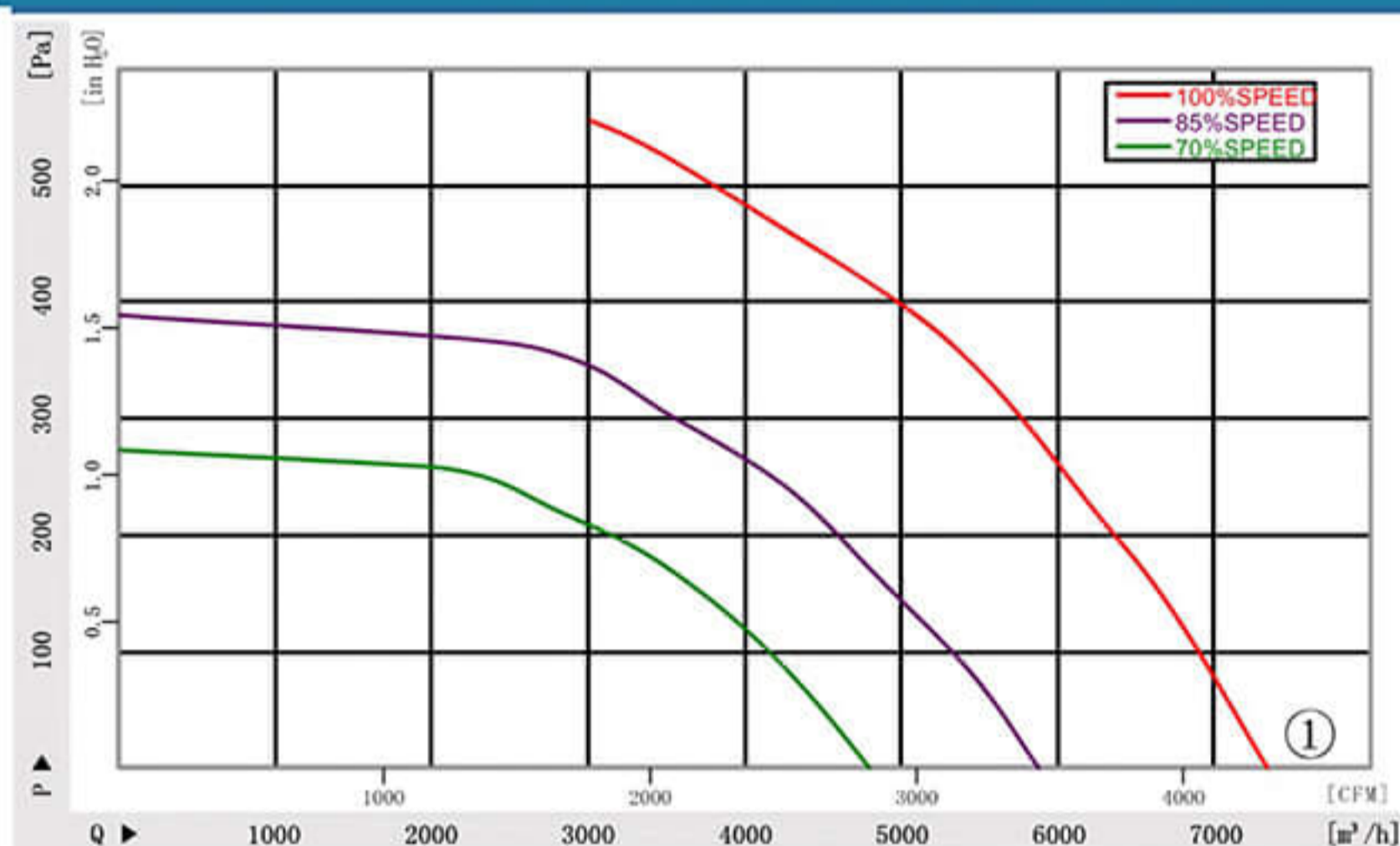
Approvals: CCC CE

Insulation class: F

### Specifications

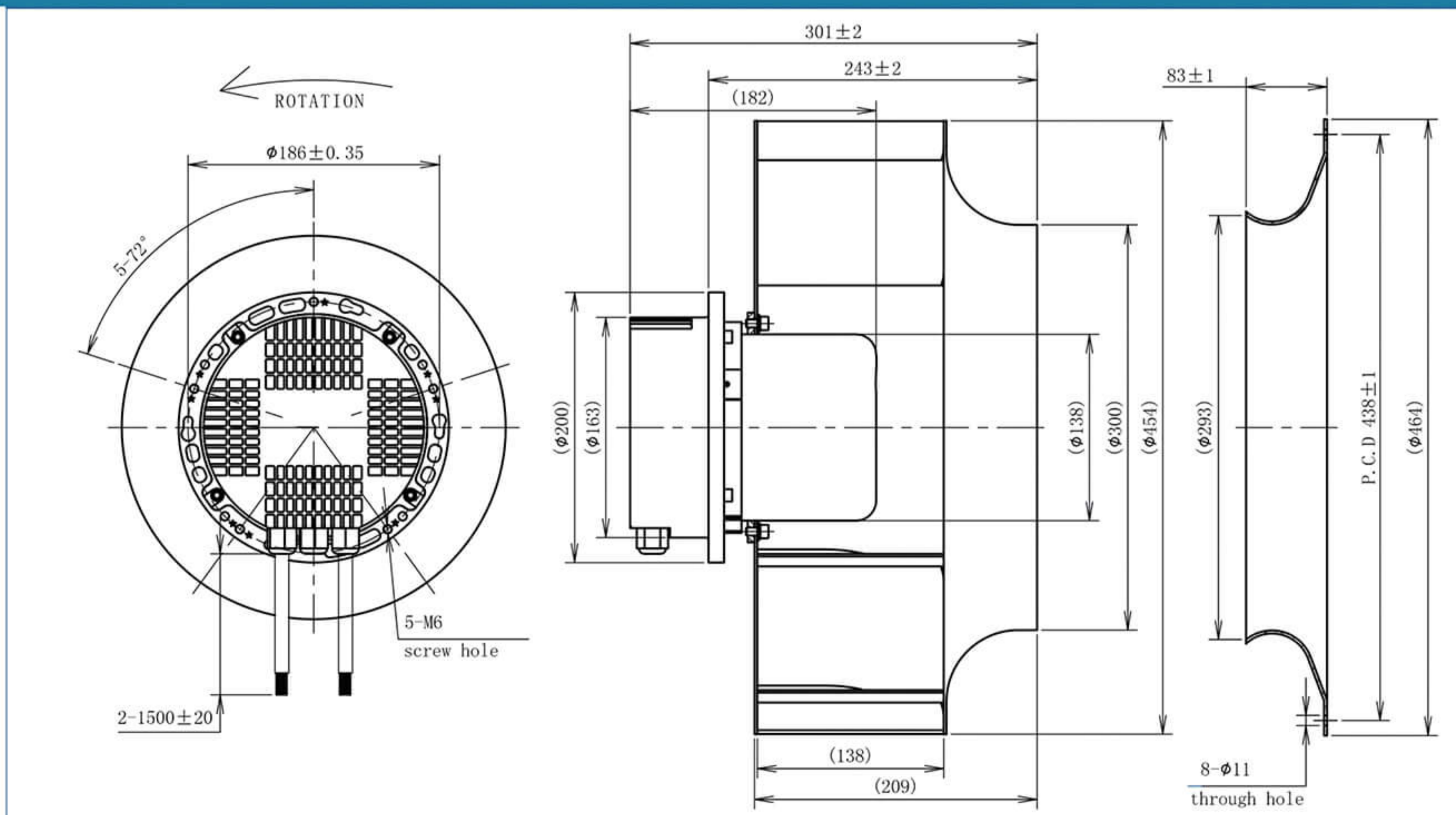
Type	Curve	Nominal voltage	Frequency	Speed	Power input	Current draw	Sound pressure level	Perm. amb. temp.
BMF450-EC137-100		[VAC]	[Hz]	[rpm]	[W]	[A]	[dB]	[°C]
	①	3~380	50/60	1450	1000	1.67	73	-25~+60

### Curves



SIGNAL	COLOR	SPEC	SIGNAL	COLOR	SPEC
L1	BLACK	AC380V 50/60Hz	Vcc	RED	DC10V
L2	BLACK	AC380V 50/60Hz	Vsp	YELLOW	0-10VDC/PWM
L3	BLACK	AC380V 50/60Hz	GND	BLUE	GND
PE	YELLOW/GREEN	EARTH	FG	WHITE	12 Pulse/R

### Dimensions







## EC Backward Centrifugal Fans

Material: Sheet aluminium

Type of protection: IP44

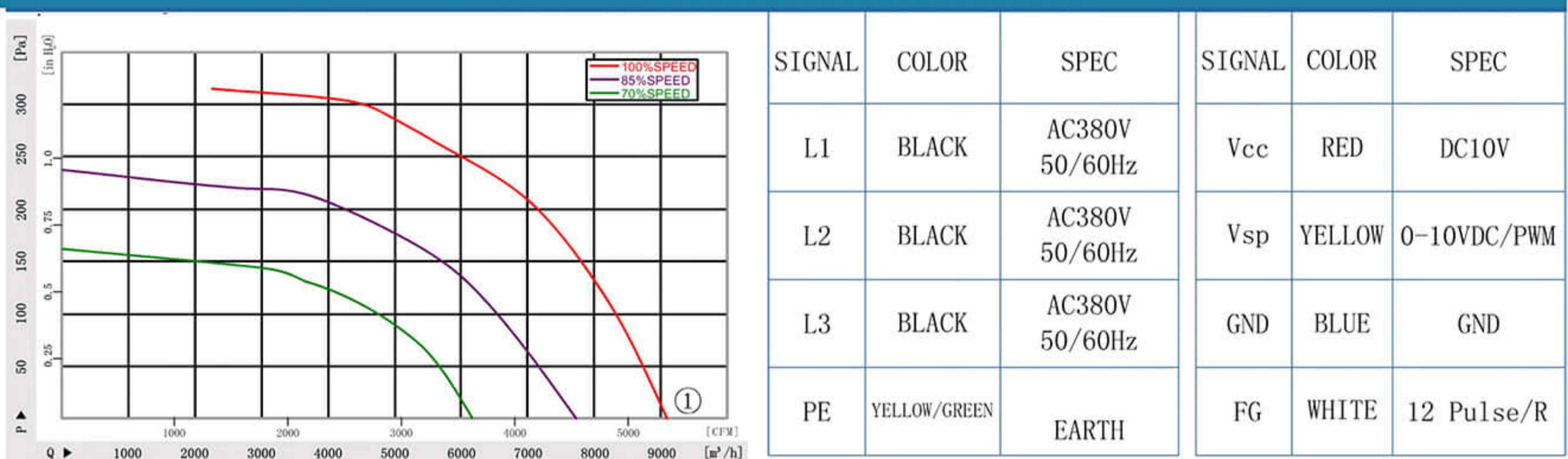
Approvals: CCC CE

Insulation class: F

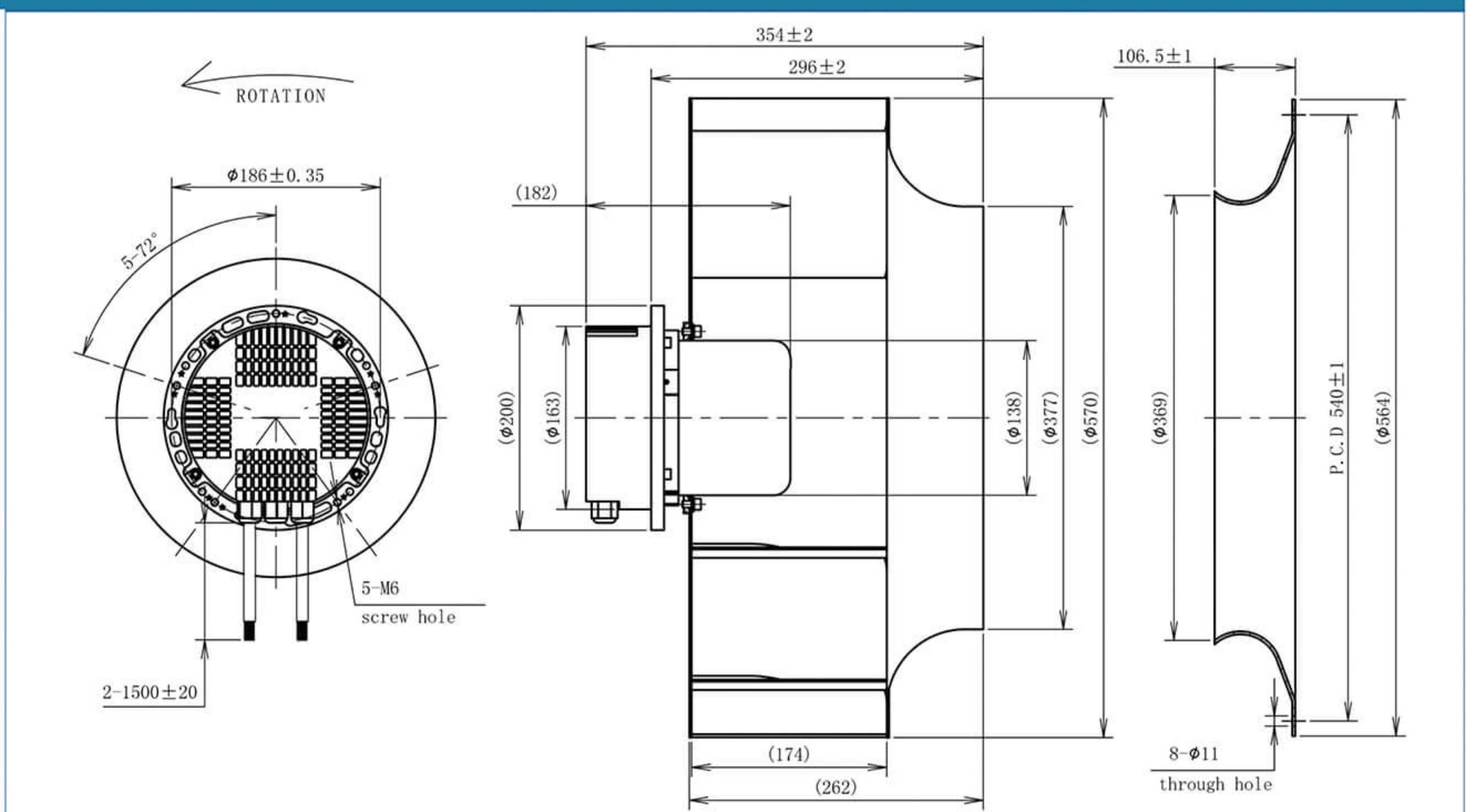
### Specifications

Type	Curve	Nominal voltage	Frequency	Speed	Power input	Current draw	Sound pressure level	Perm. amb. temp.
		[VAC]	[Hz]	[rpm]	[W]	[A]	[dB]	[°C]
BMF560-EC137-100	①	3~380	50/60	850	770	1.3	69	-25~+60

### Curves



### Dimensions





## EC Backward Centrifugal Fans

Material: Sheet aluminium

Type of protection: IP44

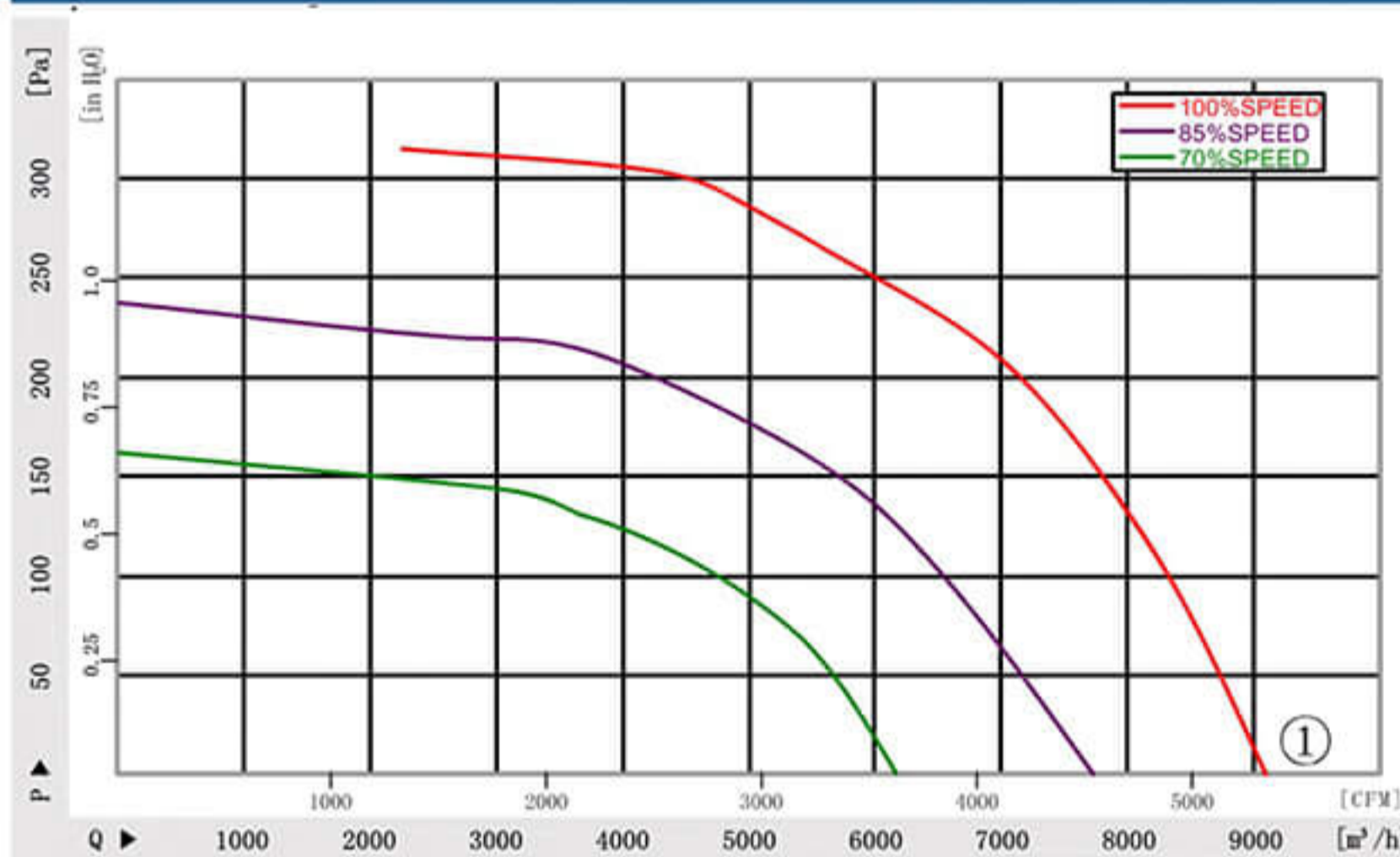
Approvals: CCC CE

Insulation class: F

### Specifications

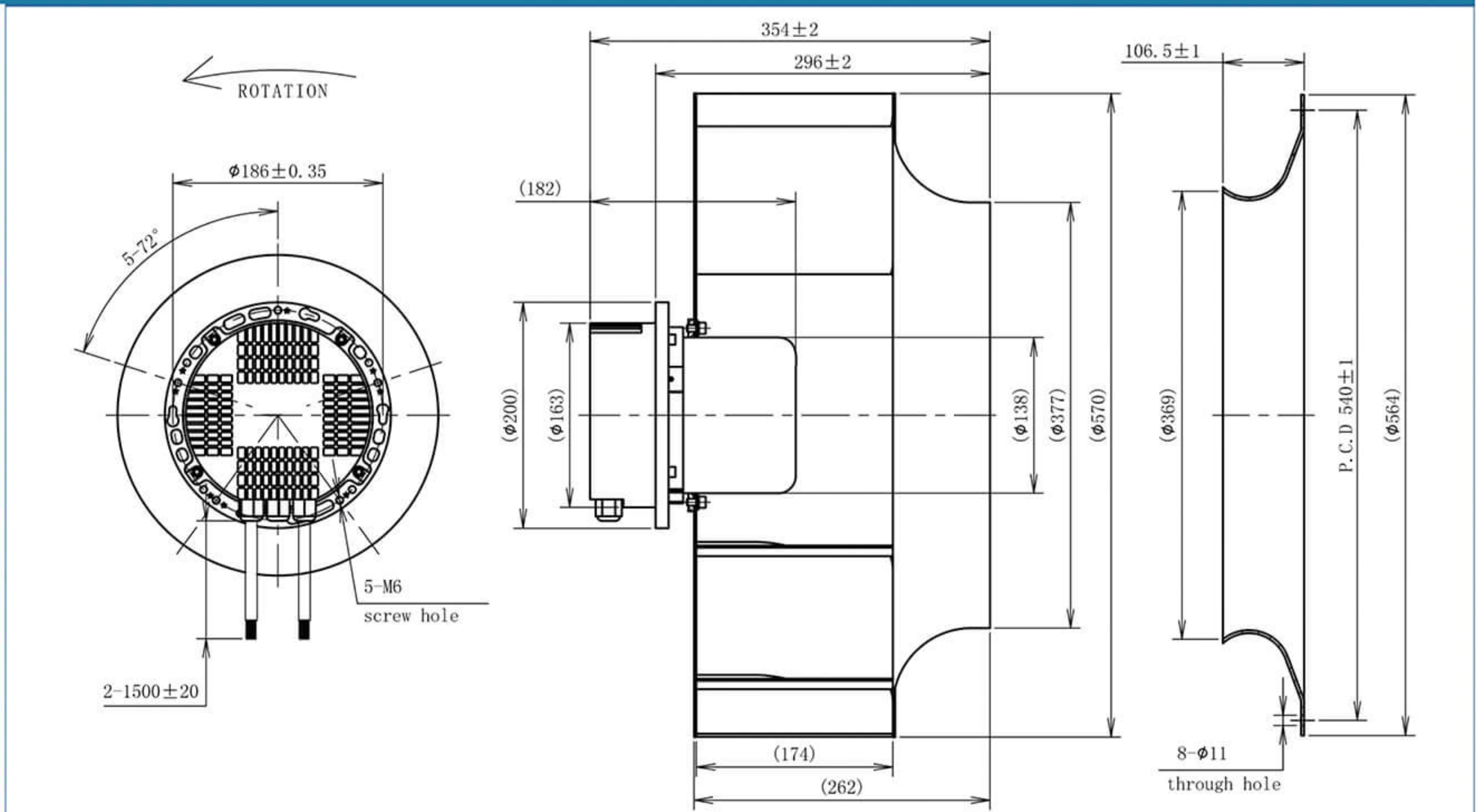
Type	Curve	Nominal voltage	Frequency	Speed	Power input	Current draw	Sound pressure level	Perm. amb. temp.
		[VAC]	[Hz]	[rpm]	[W]	[A]	[dB]	[°C]
BMF560-EC137-100	①	3~380	50/60	850	770	1.3	69	-25~+60

### Curves



SIGNAL	COLOR	SPEC	SIGNAL	COLOR	SPEC
L1	BLACK	AC380V 50/60Hz	Vcc	RED	DC10V
L2	BLACK	AC380V 50/60Hz	Vsp	YELLOW	0-10VDC/PWM
L3	BLACK	AC380V 50/60Hz	GND	BLUE	GND
PE	YELLOW/GREEN	EARTH	FG	WHITE	12 Pulse/R

### Dimensions





## EC Backward Centrifugal Fans

Material: Sheet aluminium

Type of protection: IP44

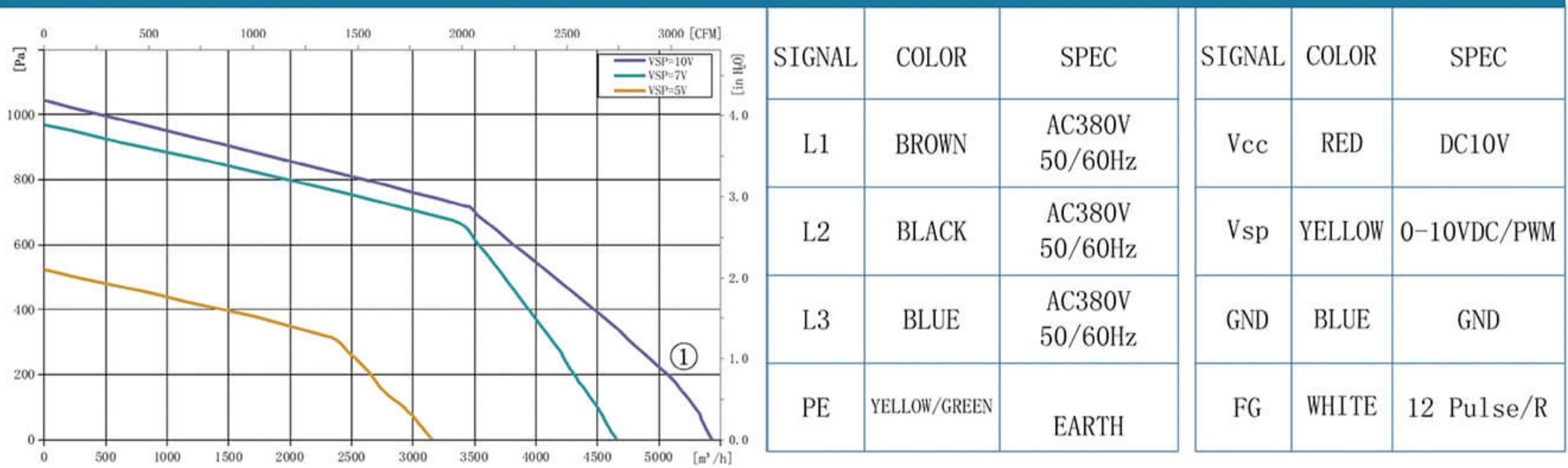
Approvals: CCC CE

Insulation class: F

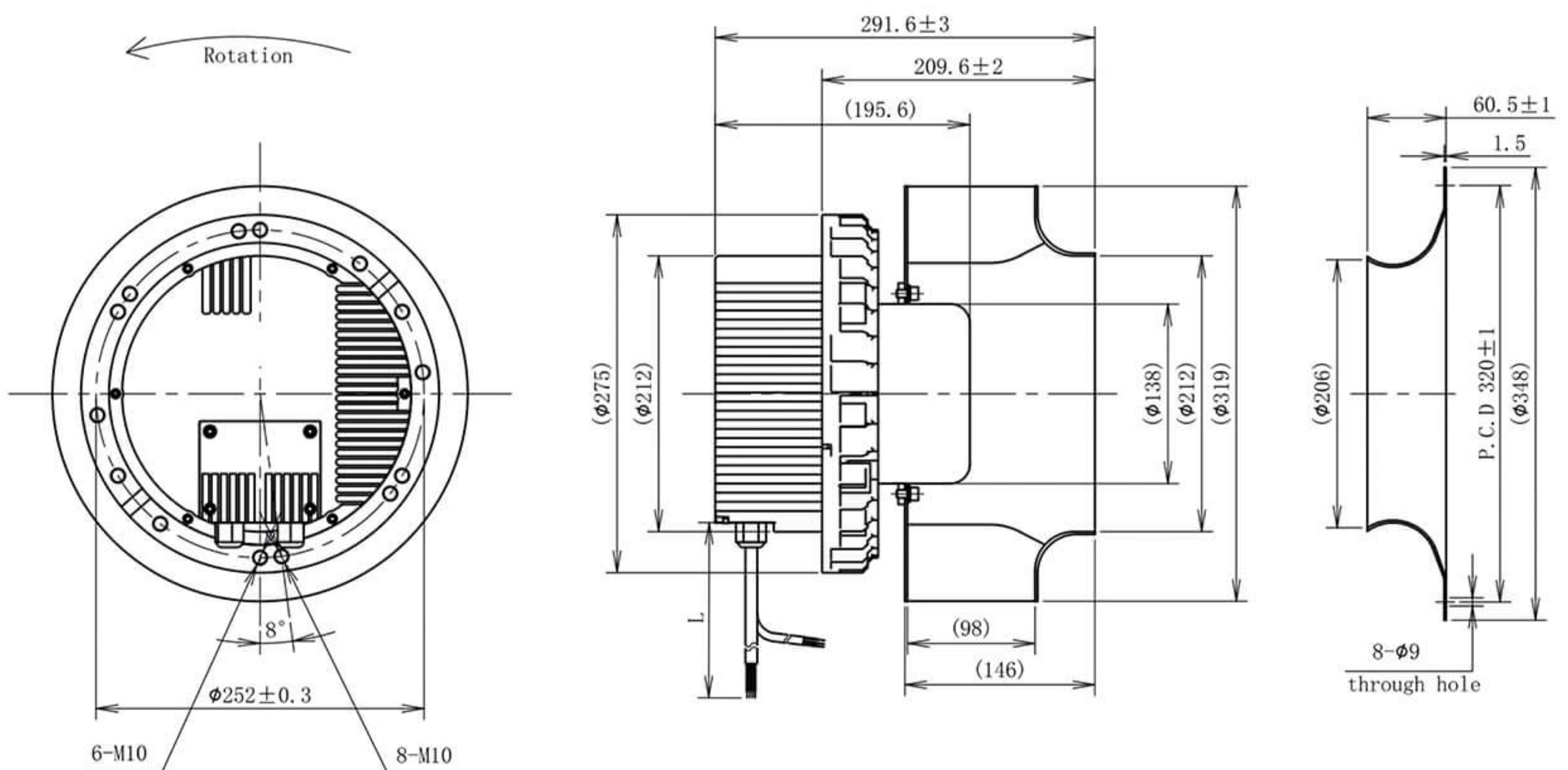
### Specifications

Type	Curve	Nominal voltage	Frequency	Speed	Power input	Current draw	Sound pressure level	Perm. amb. temp.
		[VAC]	[Hz]	[rpm]	[W]	[A]	[dB]	[°C]
BMF310-EC137-900	①	3~380	50/60	3300	1400	2.4	92	-25~+60

### Curves



### Dimensions



Note: The lead length L is customized according to customer requirements (default length is 1.5 meters)



## EC Backward Centrifugal Fans

Material: Sheet aluminium

Type of protection: IP44

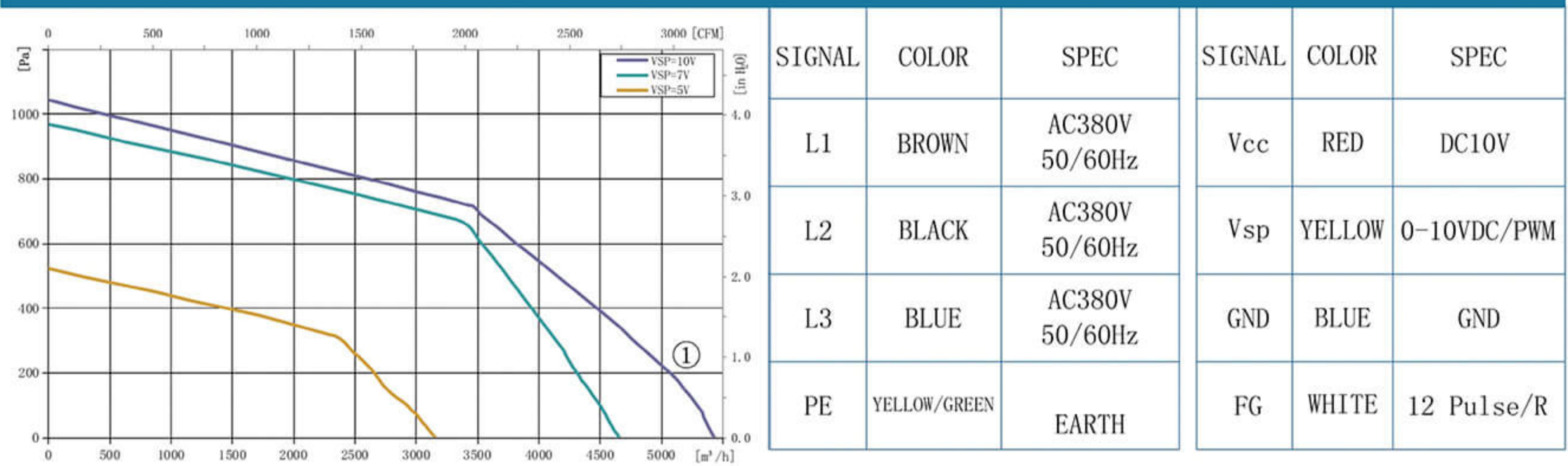
Approvals: CCC CE

Insulation class: F

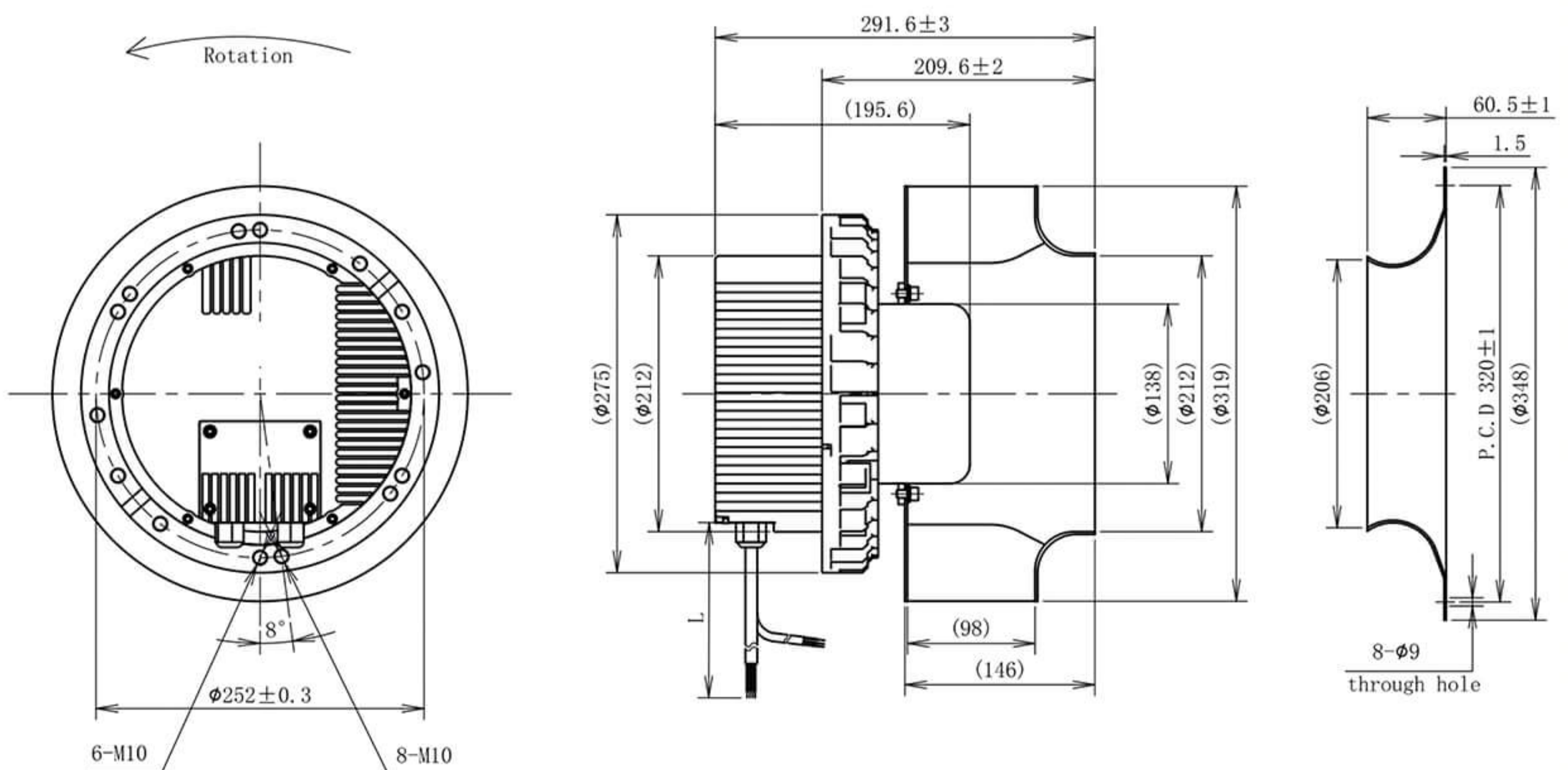
### Specifications

Type	Curve	Nominal voltage	Frequency	Speed	Power input	Current draw	Sound pressure level	Perm. amb. temp.
		[VAC]	[Hz]	[rpm]	[W]	[A]	[dB]	[°C]
BMF310-EC137-900	①	3~380	50/60	3300	1400	2.4	92	-25~+60

### Curves



### Dimensions



Note: The lead length L is customized according to customer requirements (default length is 1.5 meters)



## EC Backward Centrifugal Fans

Material: Sheet aluminium

Type of protection: IP44

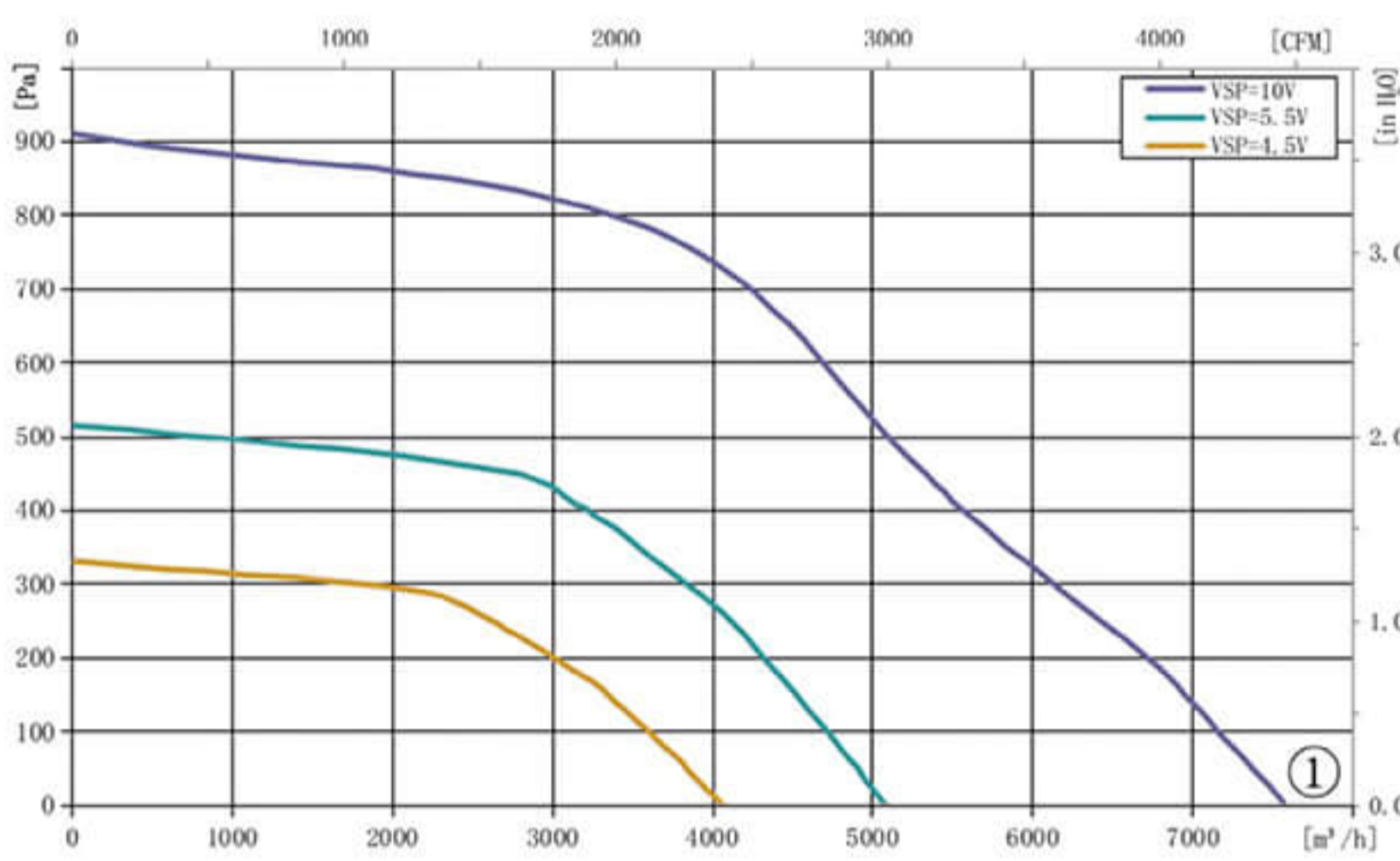
Approvals: CCC CE

Insulation class: F

### Specifications

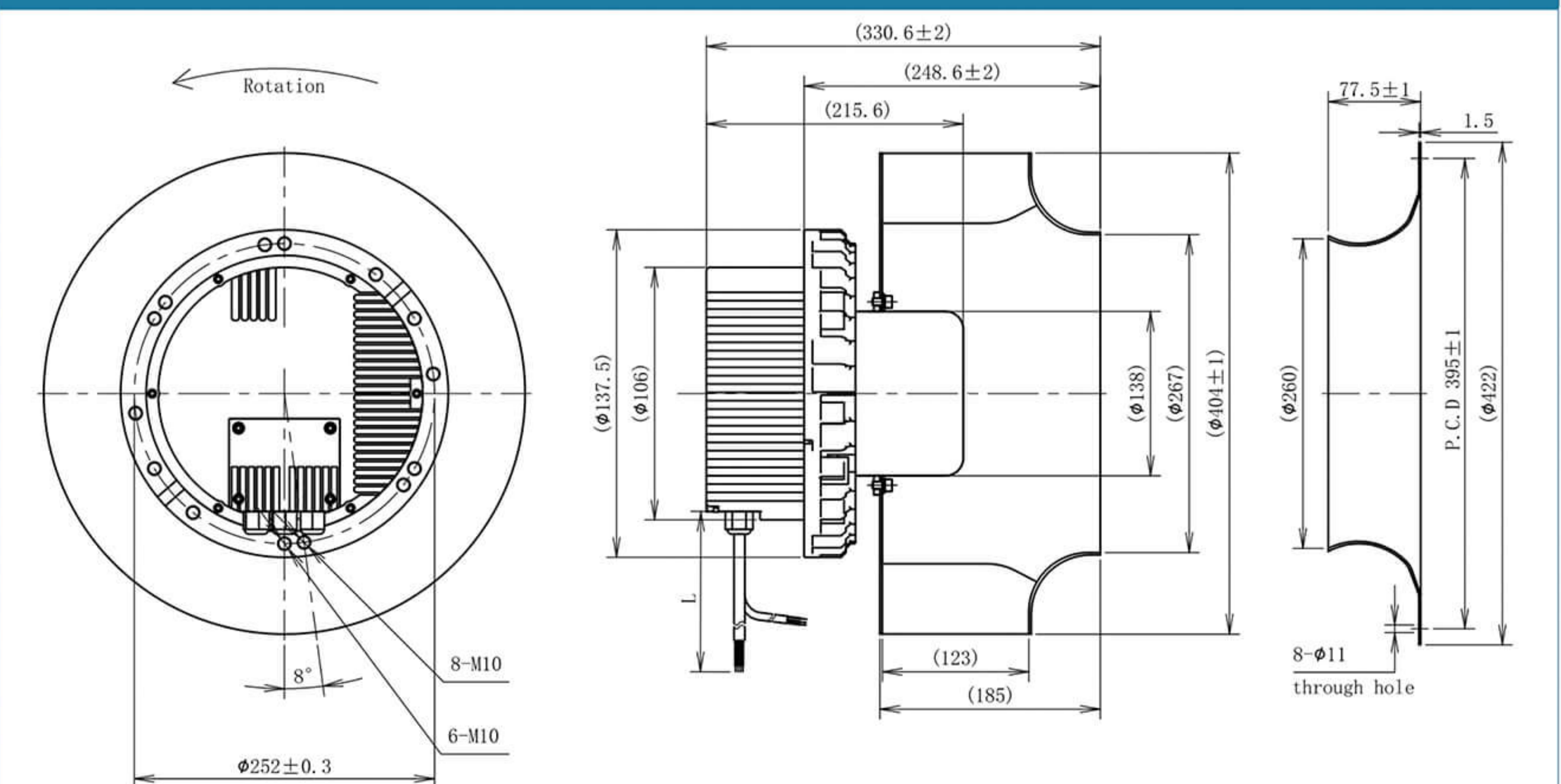
Type	Curve	Nominal voltage	Frequency	Speed	Power input	Current draw	Sound pressure level	Perm. amb. temp.
		[VAC]	[Hz]	[rpm]	[W]	[A]	[dB]	[°C]
BMF400-EC137-900	①	3~380	50/60	2250	1700	2.9	87	-25~+60

### Curves



SIGNAL	COLOR	SPEC	SIGNAL	COLOR	SPEC
L	BROWN	AC220V 50/60Hz	Vcc	RED	DC10V
N	BLUE	AC220V 50/60Hz	Vsp	YELLOW	0-10VDC/PWM
PE	YELLOW/GREEN	EARTH	GND	BLUE	GND
			FG	WHITE	12 Pulse/R

### Dimensions



Note: The lead length L is customized according to customer requirements (default length is 1.5 meters)



## EC Backward Centrifugal Fans

Material: Sheet aluminium

Type of protection: IP44

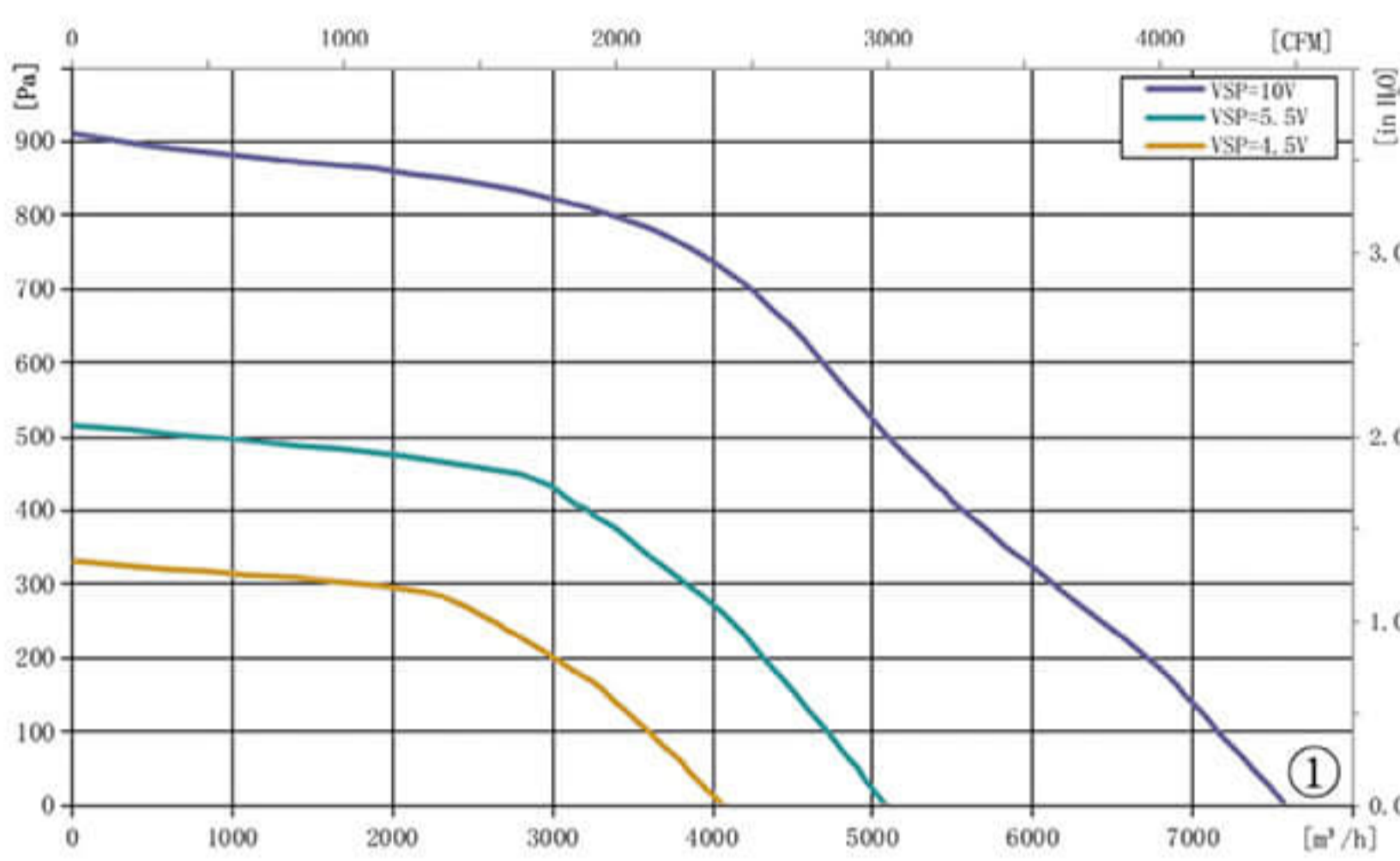
Approvals: CCC CE

Insulation class: F

### Specifications

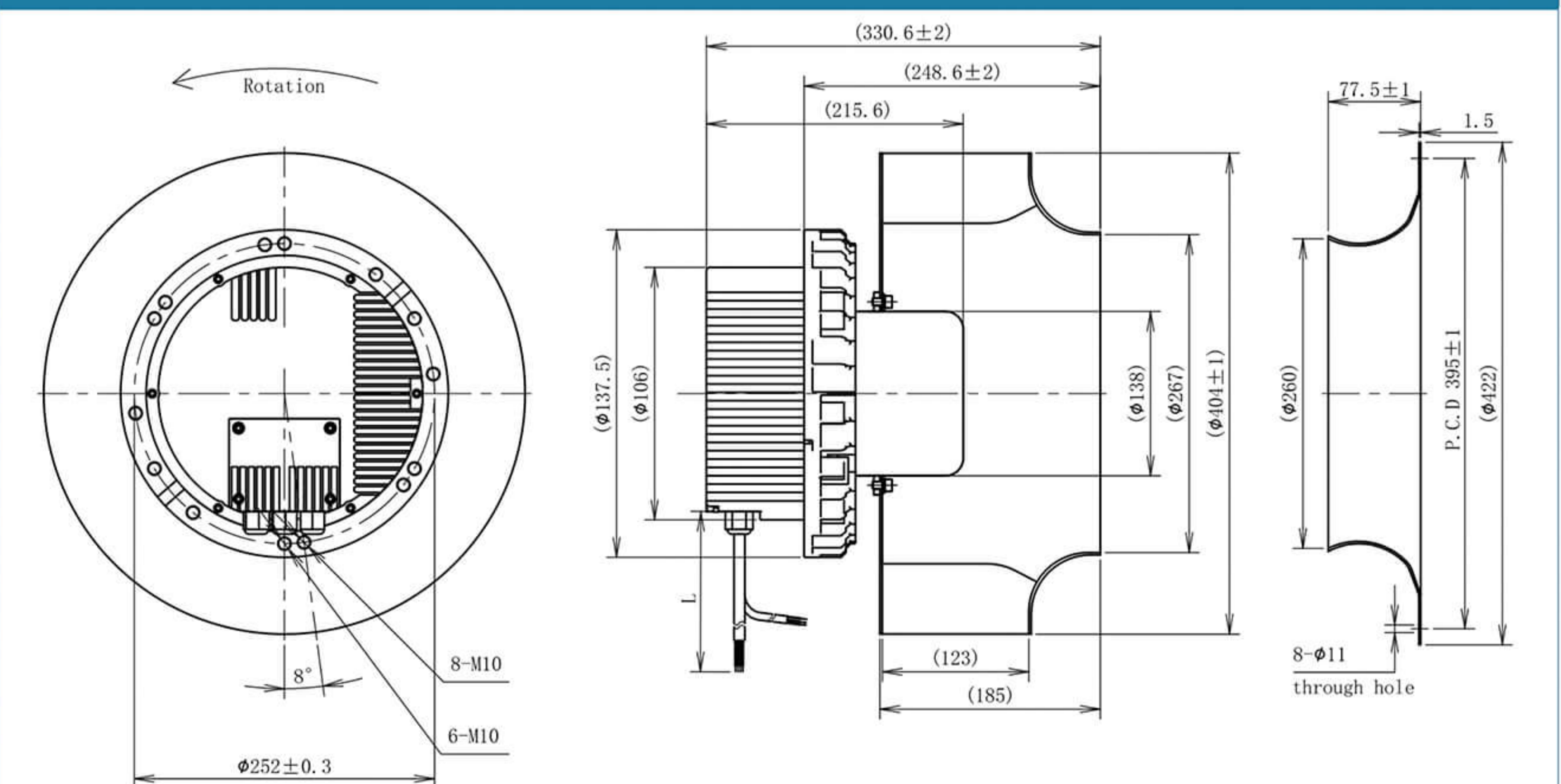
Type	Curve	Nominal voltage	Frequency	Speed	Power input	Current draw	Sound pressure level	Perm. amb. temp.
		[VAC]	[Hz]	[rpm]	[W]	[A]	[dB]	[°C]
BMF400-EC137-900	①	3~380	50/60	2250	1700	2.9	87	-25~+60

### Curves



SIGNAL	COLOR	SPEC	SIGNAL	COLOR	SPEC
L	BROWN	AC220V 50/60Hz	Vcc	RED	DC10V
N	BLUE	AC220V 50/60Hz	Vsp	YELLOW	0-10VDC/PWM
PE	YELLOW/GREEN	EARTH	GND	BLUE	GND
			FG	WHITE	12 Pulse/R

### Dimensions



Note: The lead length L is customized according to customer requirements (default length is 1.5 meters)



## EC Backward Centrifugal Fans

Material: Sheet aluminium

Type of protection: IP44

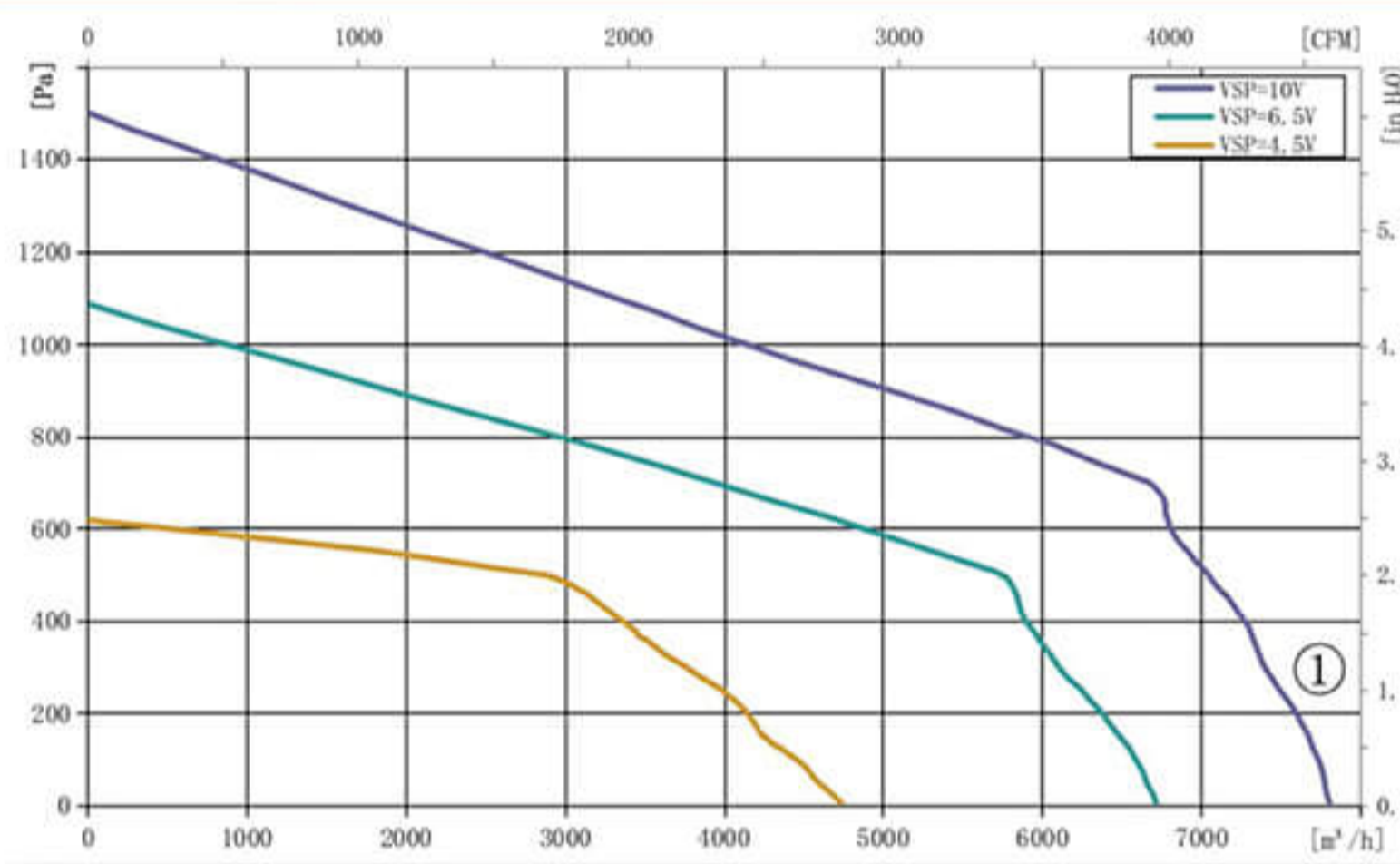
Approvals: CCC CE

Insulation class: F

### Specifications

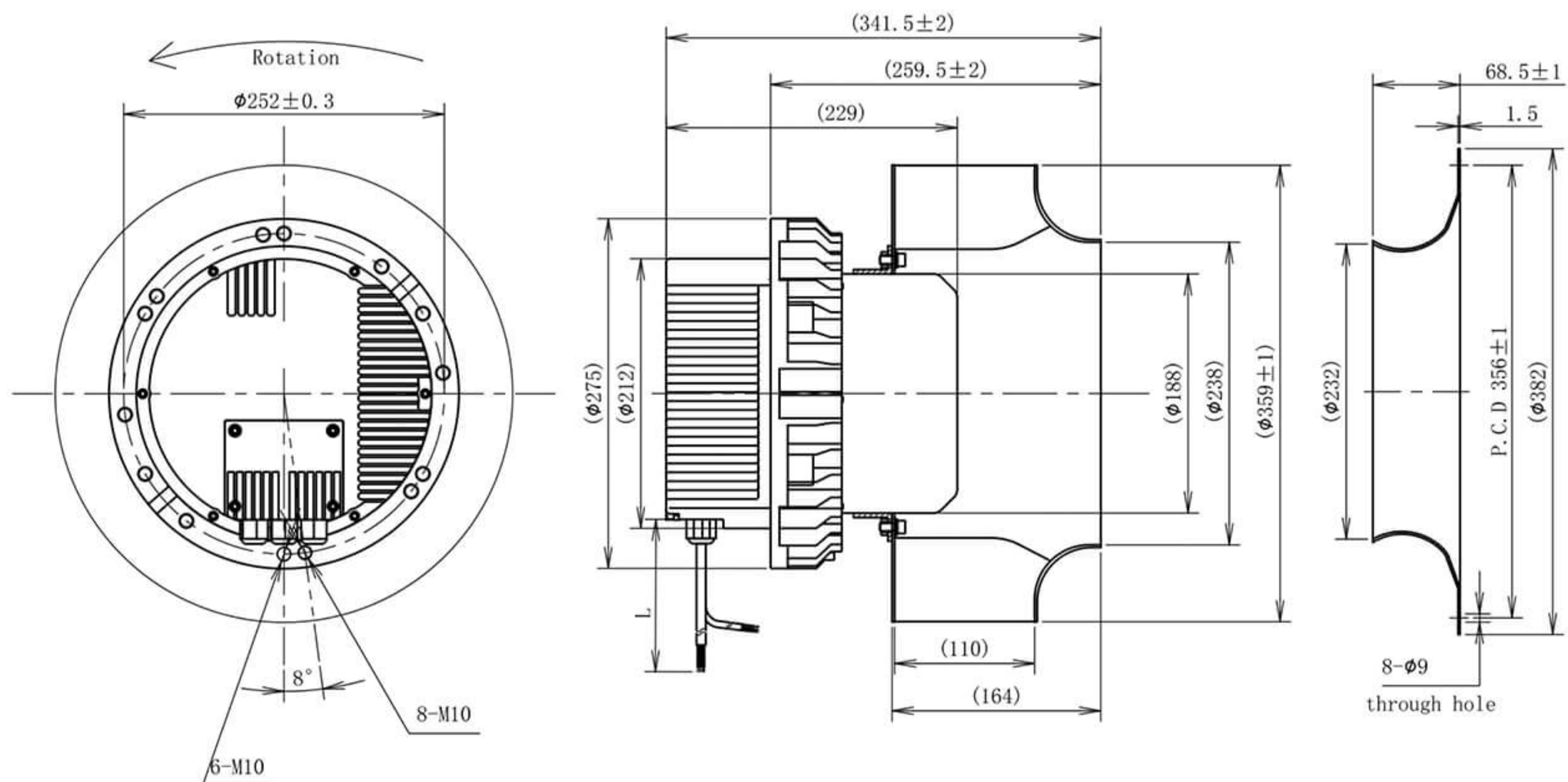
Type	Curve	Nominal voltage	Frequency	Speed	Power input	Current draw	Sound pressure level	Perm. amb. temp.
		[VAC]	[Hz]	[rpm]	[W]	[A]	[dB]	[°C]
BMF355-EC188-001	①	3~380	50/60	3200	2500	4.2	96	-25~+60

### Curves



SIGNAL	COLOR	SPEC	SIGNAL	COLOR	SPEC
L1	BROWN	AC380V 50/60Hz	Vcc	RED	DC10V
L2	BLACK	AC380V 50/60Hz	Vsp	YELLOW	0-10VDC/PWM
L3	BLUE	AC380V 50/60Hz	GND	BLUE	GND
PE	YELLOW/GREEN	EARTH	FG	WHITE	12 Pulse/R

### Dimensions



Note: The lead length L is customized according to customer requirements (default length is 1.5 meters)



## EC Backward Centrifugal Fans

Material: Sheet aluminium

Type of protection: IP44

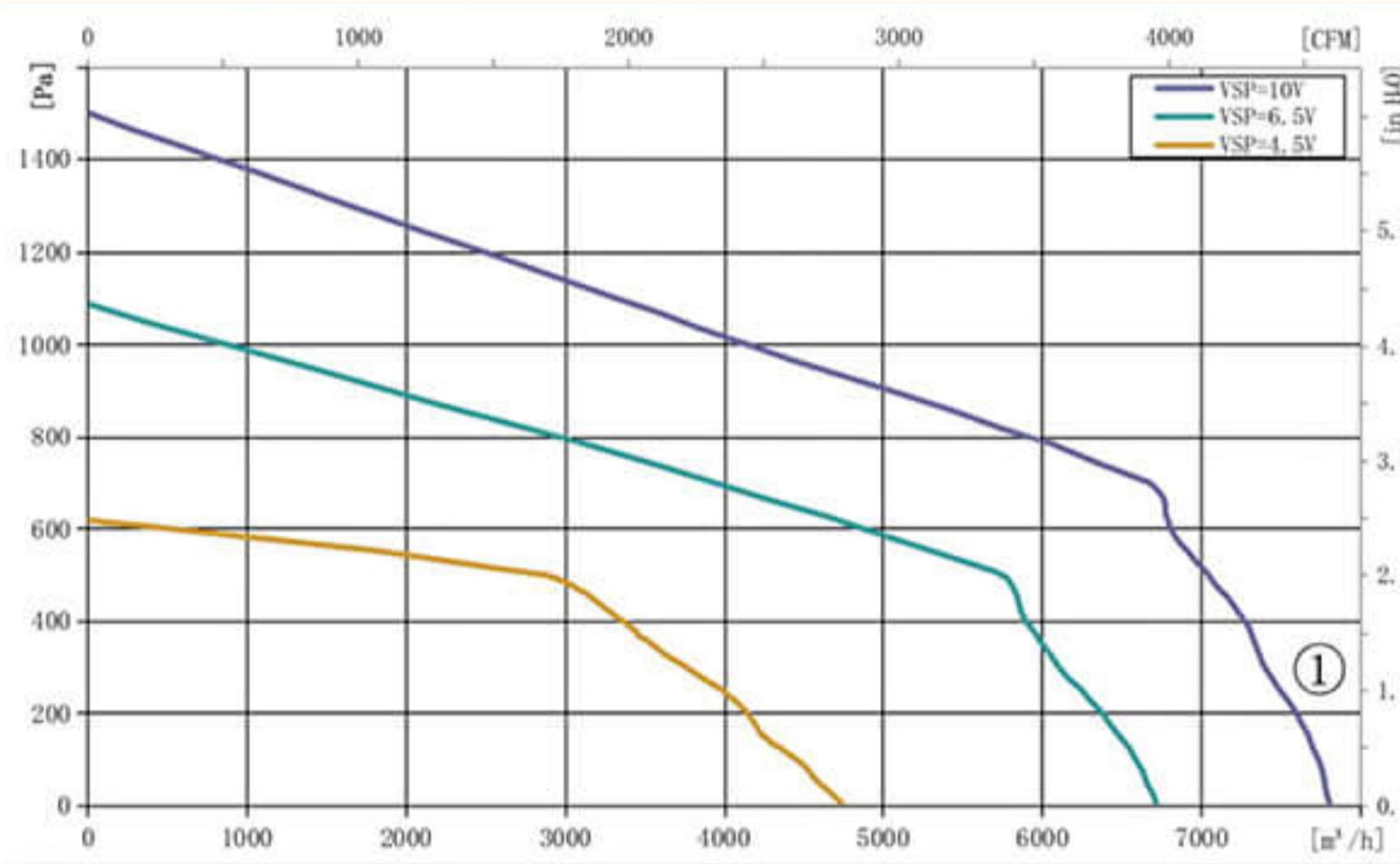
Approvals: CCC CE

Insulation class: F

### Specifications

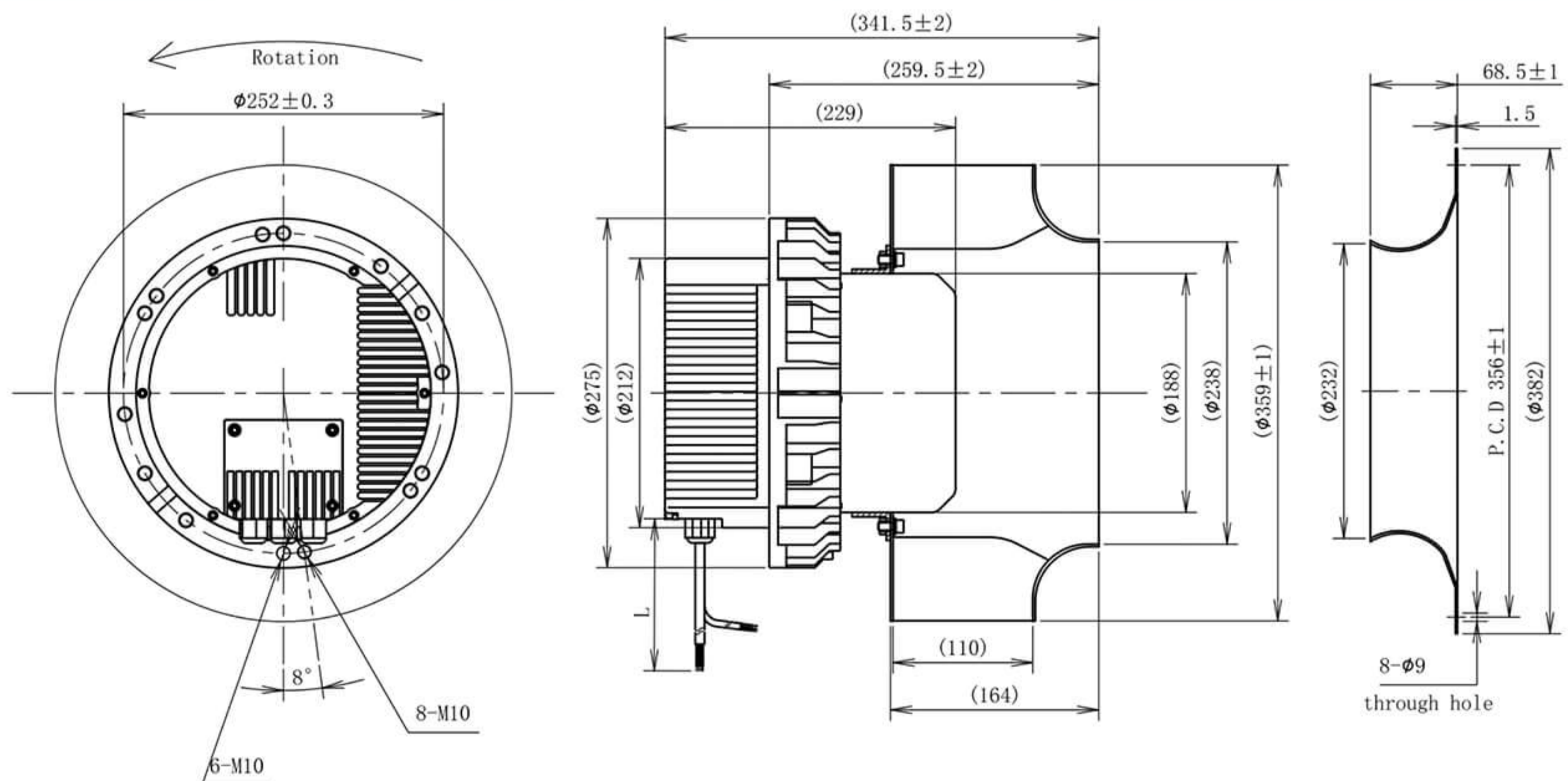
Type	Curve	Nominal voltage	Frequency	Speed	Power input	Current draw	Sound pressure level	Perm. amb. temp.
		[VAC]	[Hz]	[rpm]	[W]	[A]	[dB]	[°C]
BMF355-EC188-001	①	3~380	50/60	3200	2500	4.2	96	-25~+60

### Curves



SIGNAL	COLOR	SPEC	SIGNAL	COLOR	SPEC
L1	BROWN	AC380V 50/60Hz	Vcc	RED	DC10V
L2	BLACK	AC380V 50/60Hz	Vsp	YELLOW	0-10VDC/PWM
L3	BLUE	AC380V 50/60Hz	GND	BLUE	GND
PE	YELLOW/GREEN	EARTH	FG	WHITE	12 Pulse/R

### Dimensions



Note: The lead length L is customized according to customer requirements (default length is 1.5 meters)





## EC Backward Centrifugal Fans

Material: Sheet aluminium

Type of protection: IP44

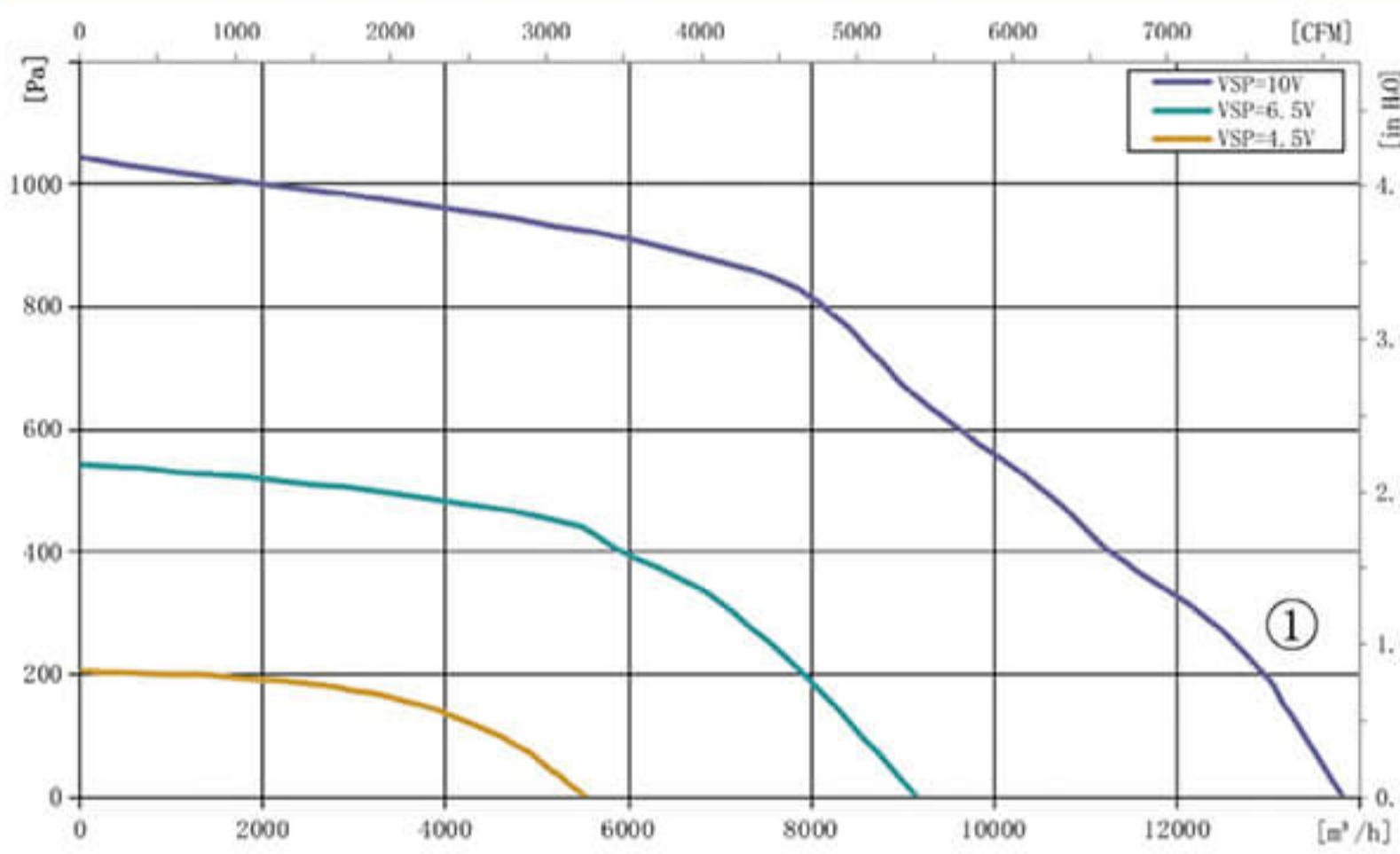
Approvals: CCC CE

Insulation class: F

### Specifications

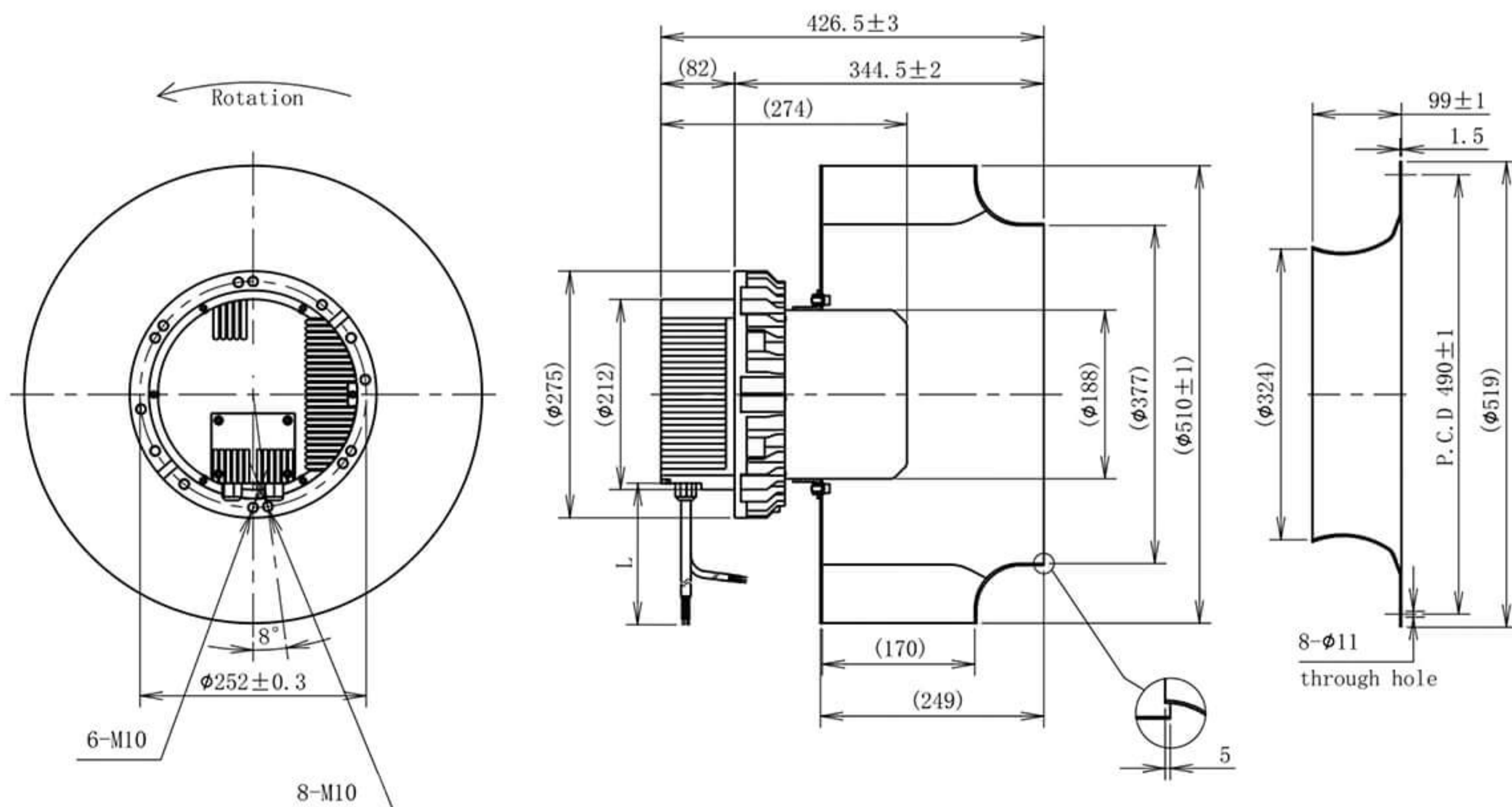
Type	Curve	Nominal voltage	Frequency	Speed	Power input	Current draw	Sound pressure level	Perm. amb. temp.
		[VAC]	[Hz]	[rpm]	[W]	[A]	[dB]	[°C]
BMF500-EC188-001	①	3~380	50/60	1800	3000	4.95	89	-25~+60

### Curves



SIGNAL	COLOR	SPEC	SIGNAL	COLOR	SPEC
L1	BROWN	AC380V 50/60Hz	Vcc	RED	DC10V
L2	BLACK	AC380V 50/60Hz	Vsp	YELLOW	0-10VDC/PWM
L3	BLUE	AC380V 50/60Hz	GND	BLUE	GND
PE	YELLOW/GREEN	EARTH	FG	WHITE	12 Pulse/R

### Dimensions



Note: The lead length L is customized according to customer requirements (default length is 1.5 meters)



## EC Backward Centrifugal Fans

Material: Sheet aluminium

Type of protection: IP44

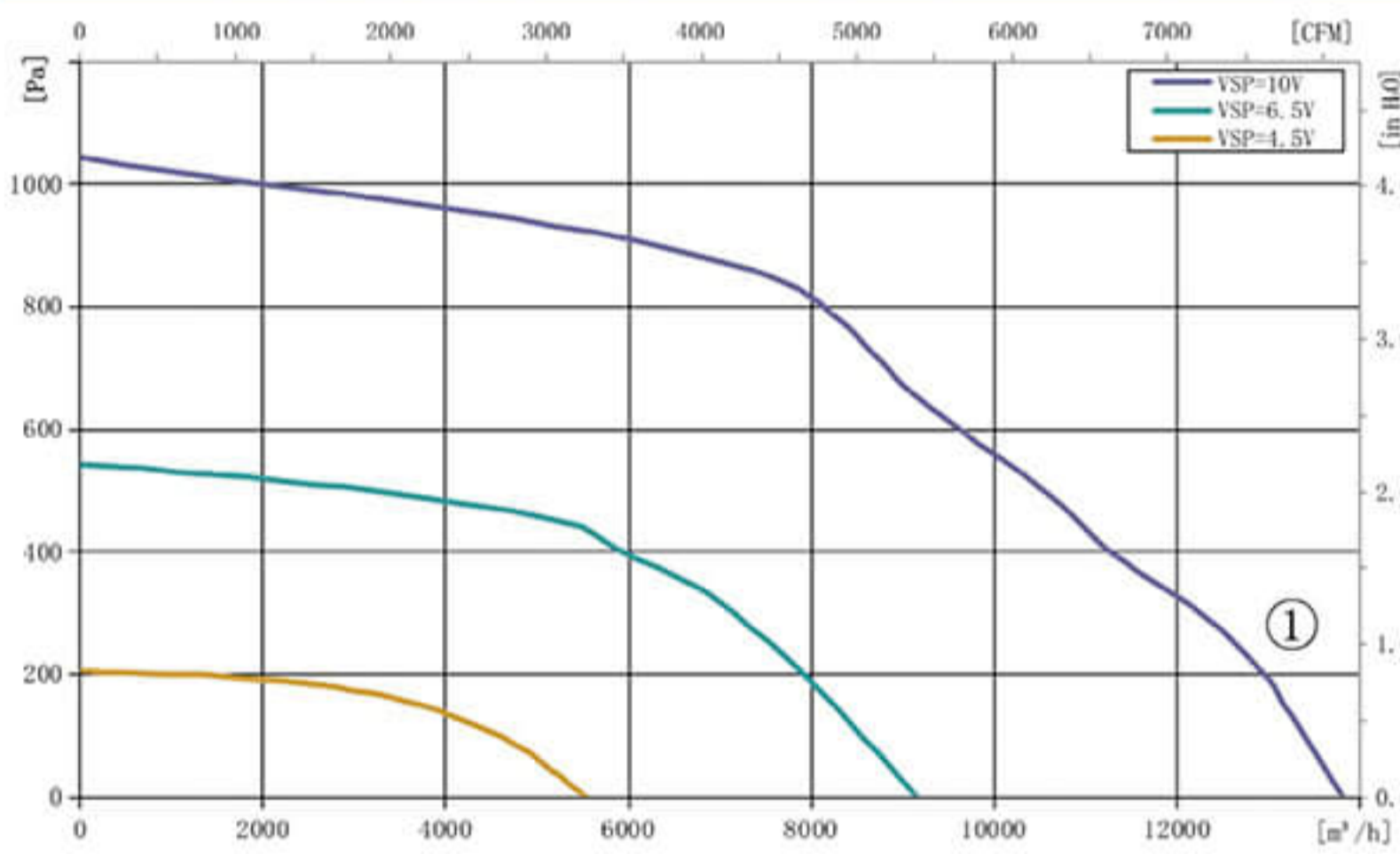
Approvals: CCC CE

Insulation class: F

### Specifications

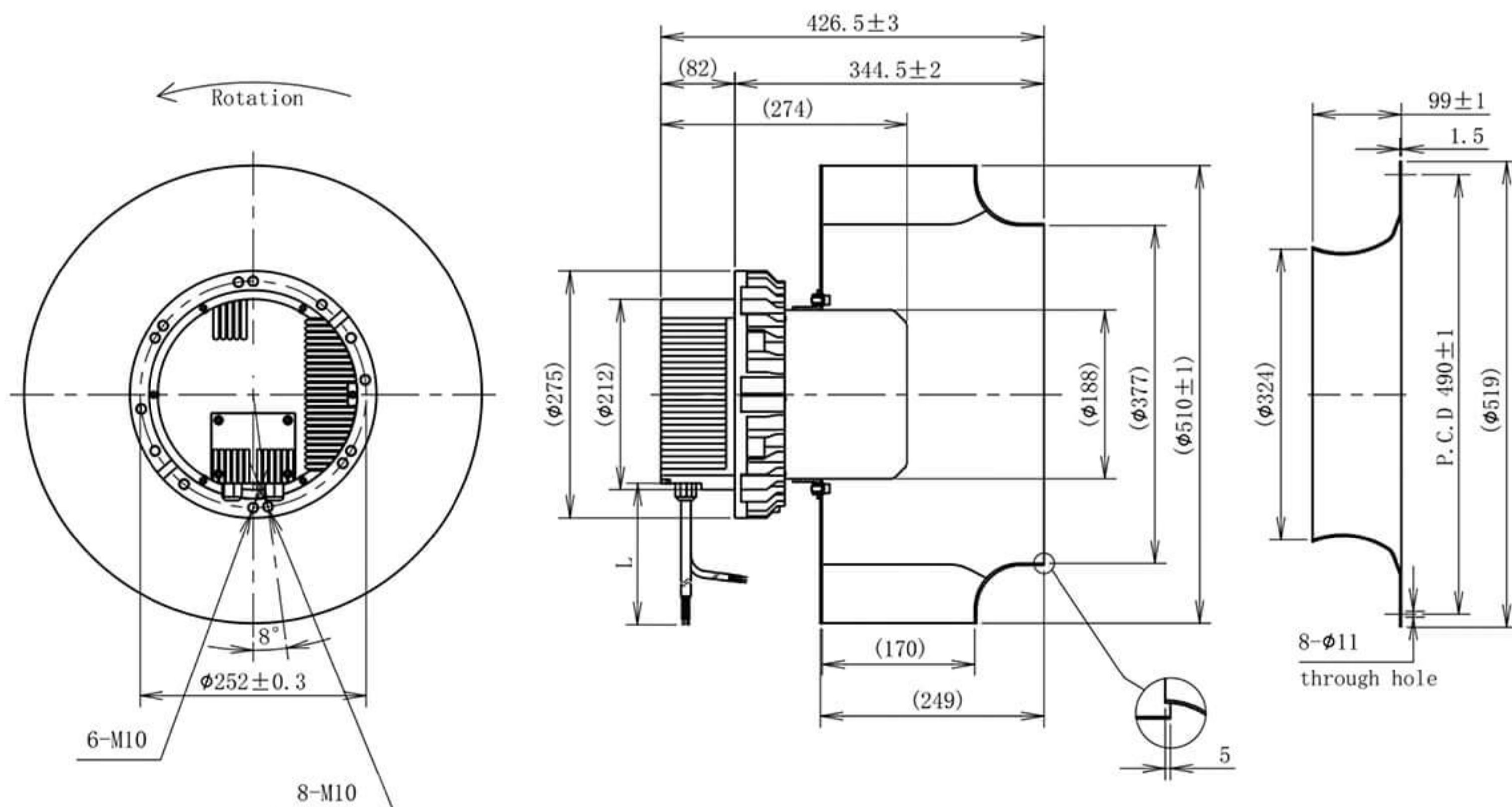
Type	Curve	Nominal voltage	Frequency	Speed	Power input	Current draw	Sound pressure level	Perm. amb. temp.
		[VAC]	[Hz]	[rpm]	[W]	[A]	[dB]	[°C]
BMF500-EC188-001	①	3~380	50/60	1800	3000	4.95	89	-25~+60

### Curves



SIGNAL	COLOR	SPEC	SIGNAL	COLOR	SPEC
L1	BROWN	AC380V 50/60Hz	Vcc	RED	DC10V
L2	BLACK	AC380V 50/60Hz	Vsp	YELLOW	0-10VDC/PWM
L3	BLUE	AC380V 50/60Hz	GND	BLUE	GND
PE	YELLOW/GREEN	EARTH	FG	WHITE	12 Pulse/R

### Dimensions



Note: The lead length L is customized according to customer requirements (default length is 1.5 meters)



## EC Backward Centrifugal Fans

Material: Sheet aluminium

Type of protection: IP44

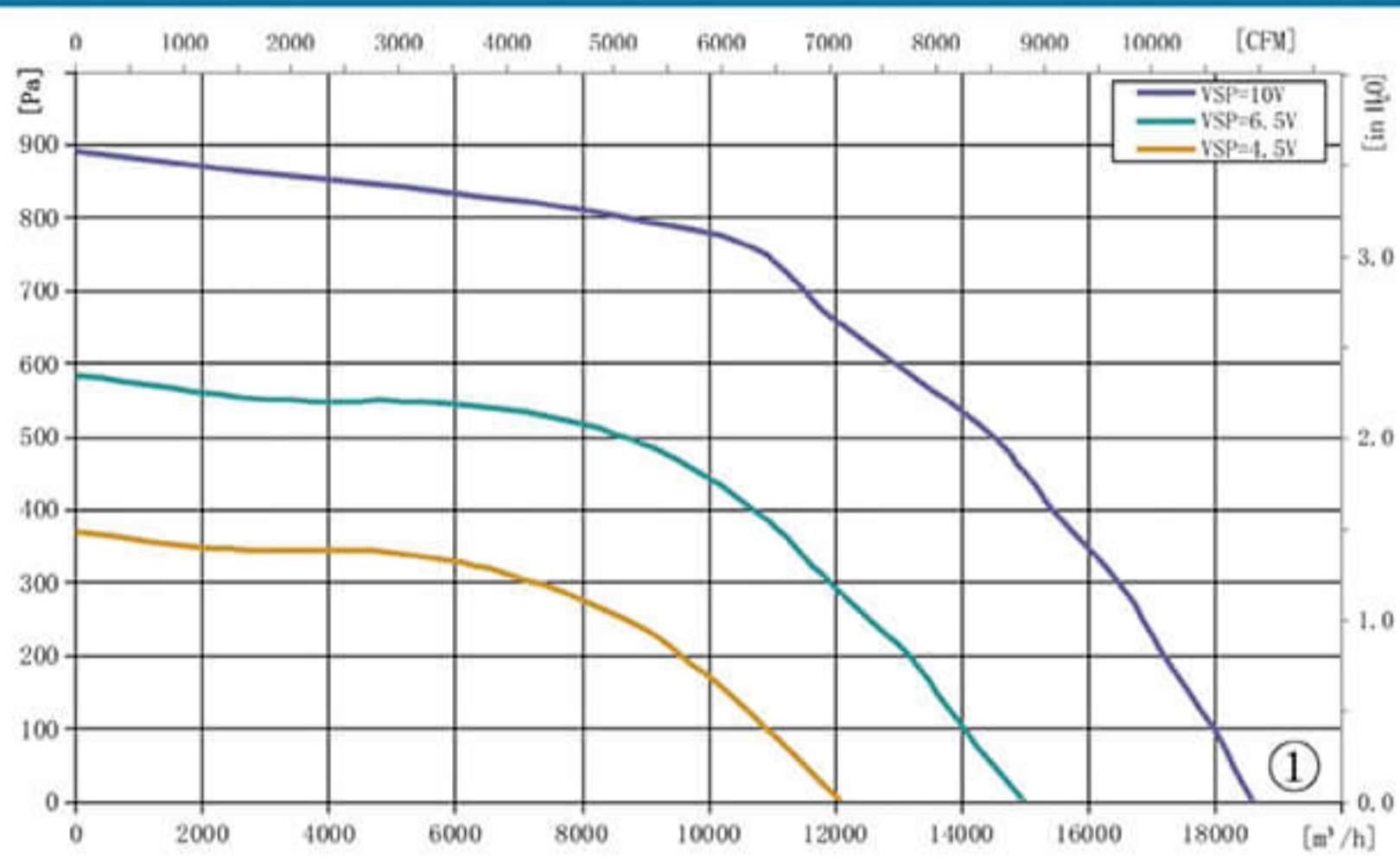
Approvals: CCC CE

Insulation class: F

### Specifications

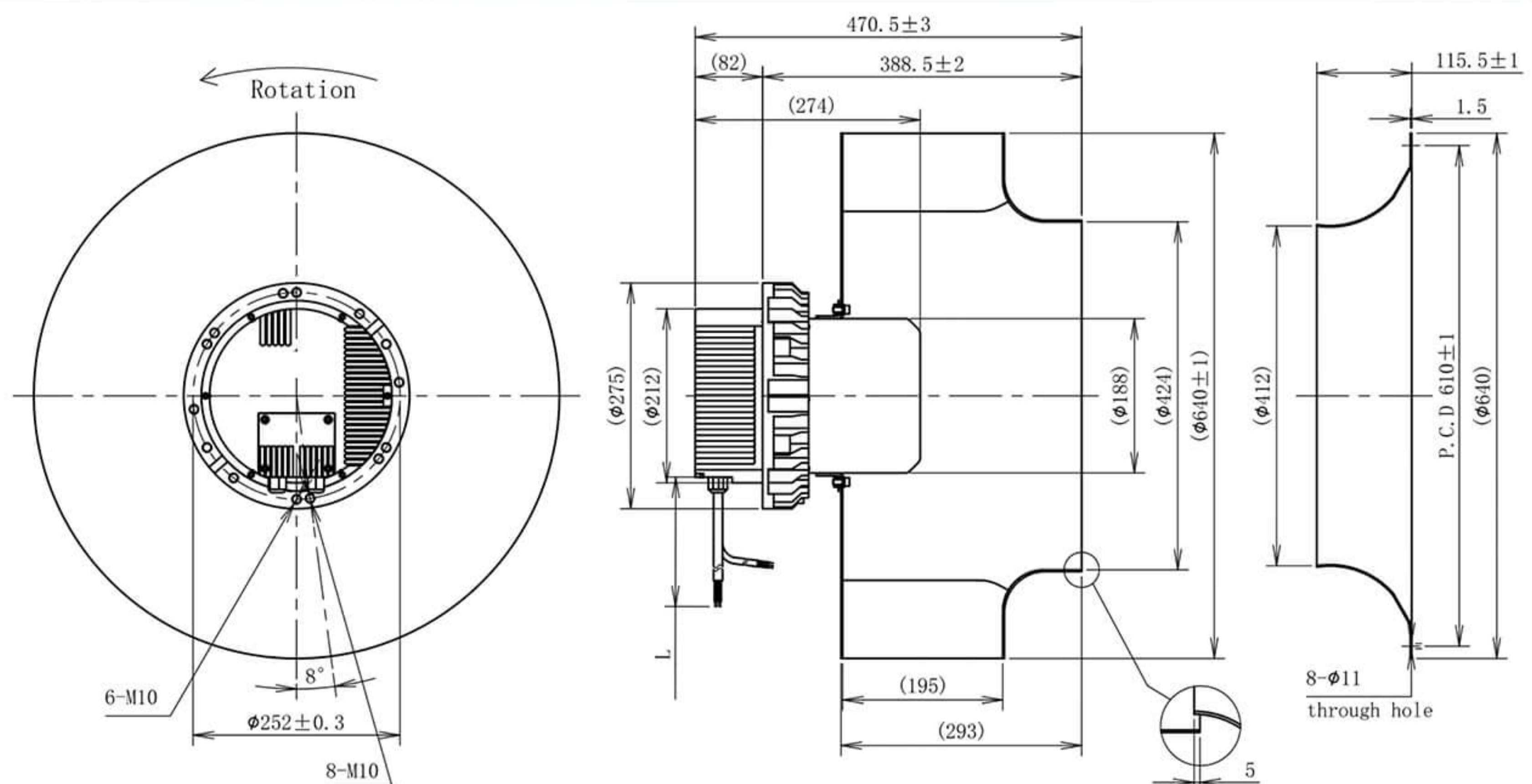
Type	Curve	Nominal voltage	Frequency	Speed	Power input	Current draw	Sound pressure level	Perm. amb. temp.
		[VAC]	[Hz]	[rpm]	[W]	[A]	[dB]	[°C]
BMF630-EC188-001	①	3~380	50/60	1250	2700	4.4	85	-25~+60

### Curves



SIGNAL	COLOR	SPEC	SIGNAL	COLOR	SPEC
L1	BROWN	AC380V 50/60Hz	Vcc	RED	DC10V
L2	BLACK	AC380V 50/60Hz	Vsp	YELLOW	0-10VDC/PWM
L3	BLUE	AC380V 50/60Hz	GND	BLUE	GND
PE	YELLOW/GREEN	EARTH	FG	WHITE	12 Pulse/R

### Dimensions



Note: The lead length L is customized according to customer requirements (default length is 1.5 meters)



## EC Backward Centrifugal Fans

Material: Sheet aluminium

Type of protection: IP44

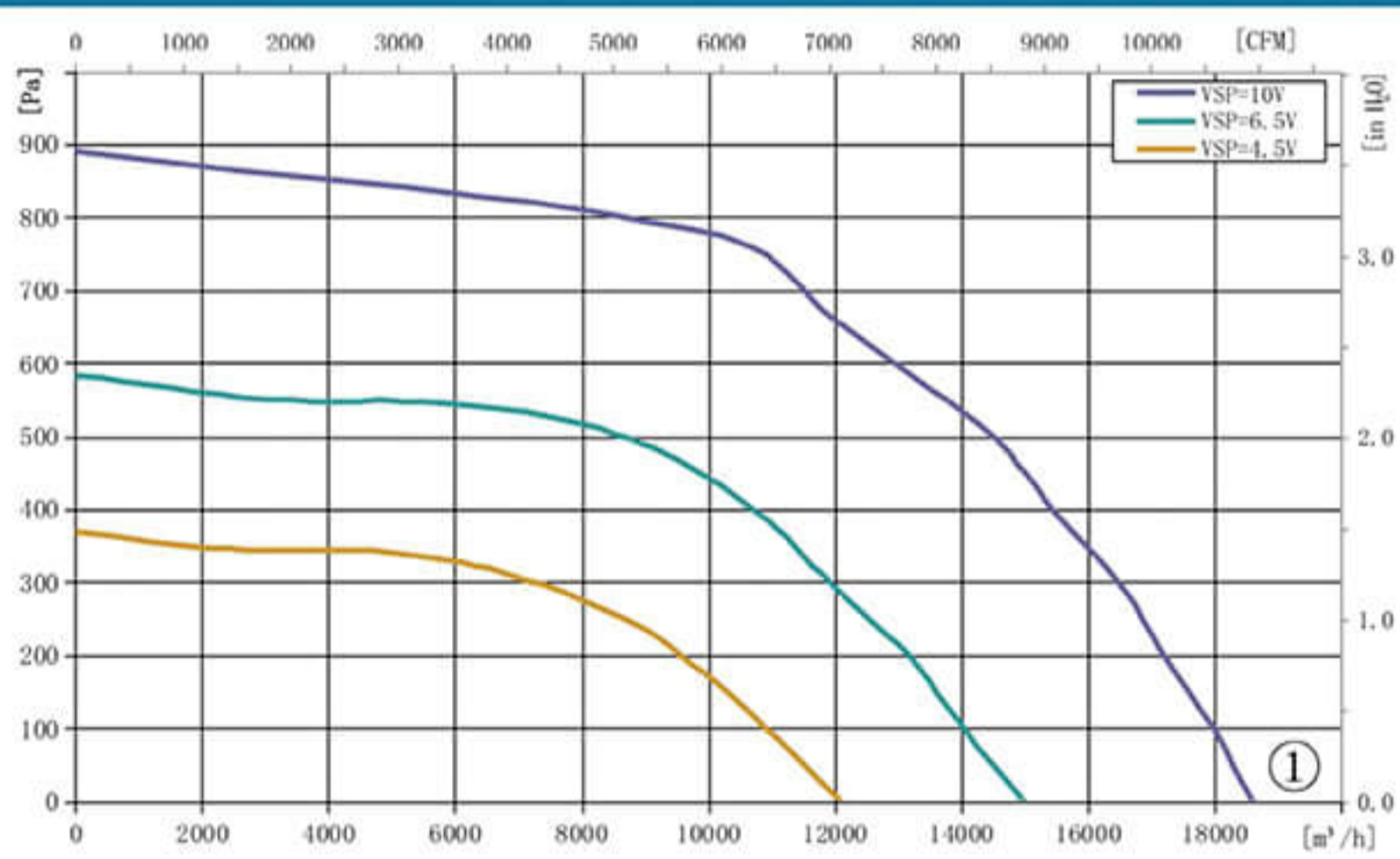
Approvals: CCC CE

Insulation class: F

### Specifications

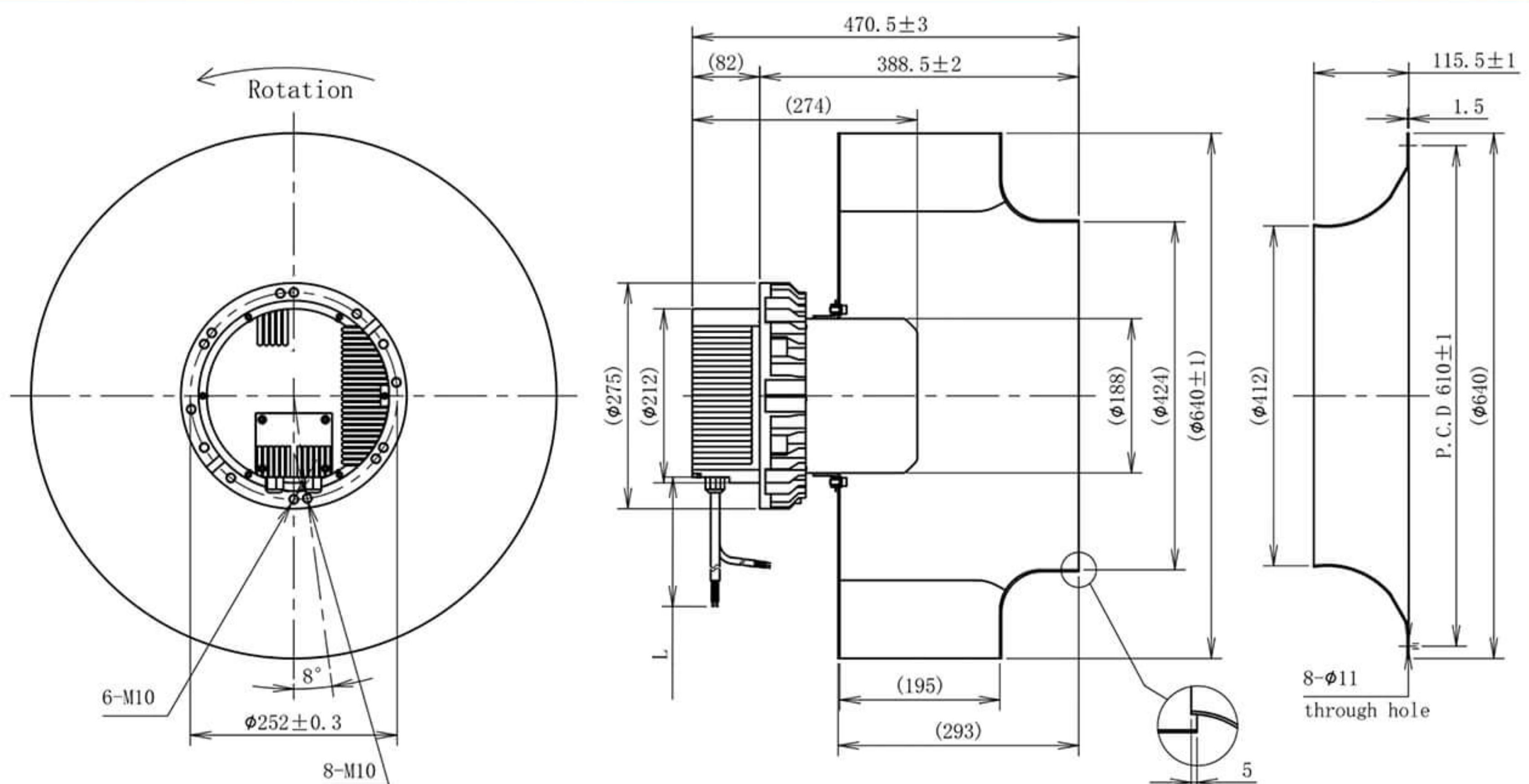
Type	Curve	Nominal voltage	Frequency	Speed	Power input	Current draw	Sound pressure level	Perm. amb. temp.
		[VAC]	[Hz]	[rpm]	[W]	[A]	[dB]	[°C]
BMF630-EC188-001	①	3~380	50/60	1250	2700	4.4	85	-25~+60

### Curves



SIGNAL	COLOR	SPEC	SIGNAL	COLOR	SPEC
L1	BROWN	AC380V 50/60Hz	Vcc	RED	DC10V
L2	BLACK	AC380V 50/60Hz	Vsp	YELLOW	0-10VDC/PWM
L3	BLUE	AC380V 50/60Hz	GND	BLUE	GND
PE	YELLOW/GREEN	EARTH	FG	WHITE	12 Pulse/R

### Dimensions



Note: The lead length L is customized according to customer requirements (default length is 1.5 meters)