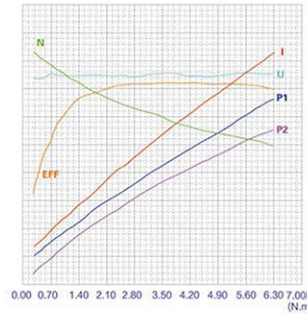


# 24V High Speed Low Torque Drive DC Motor

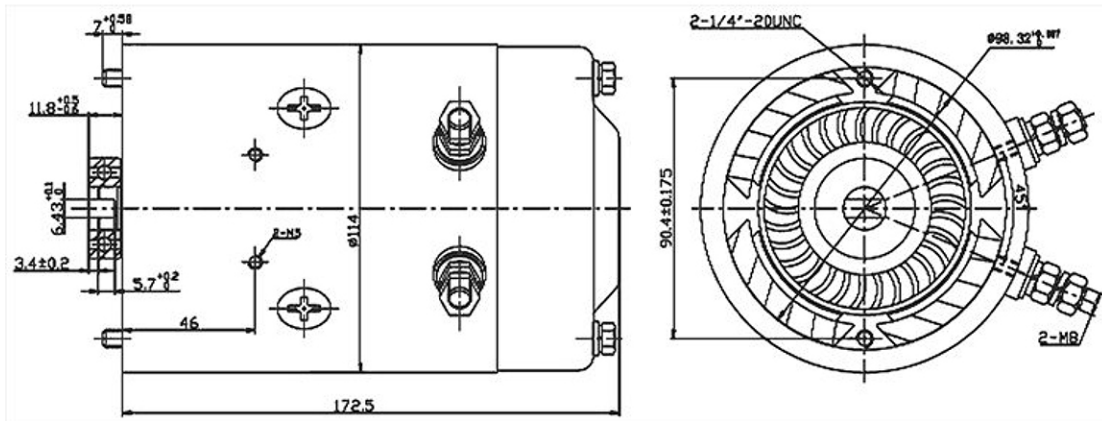


U(V)	I(A)	n(rpm)
32.00	127.0	5422
28.80	114.3	4879.8
25.60	101.6	4337.6
22.40	88.9	3795.4
19.20	76.2	3253.2
16.00	63.5	2711
12.80	50.8	2168.8
9.60	38.1	1626.6
6.40	25.4	1084.4
3.20	12.7	542.2
0.00	0.0	0



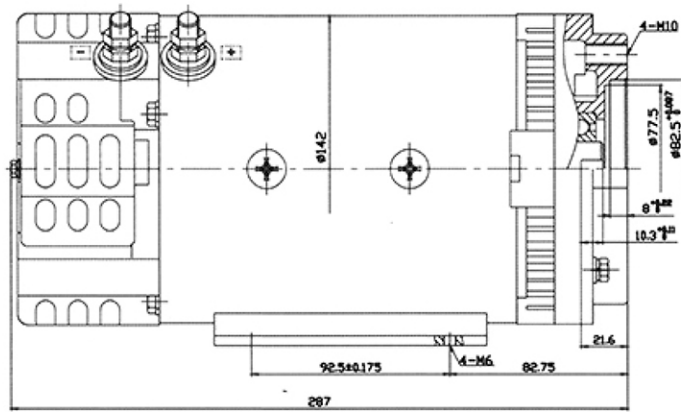
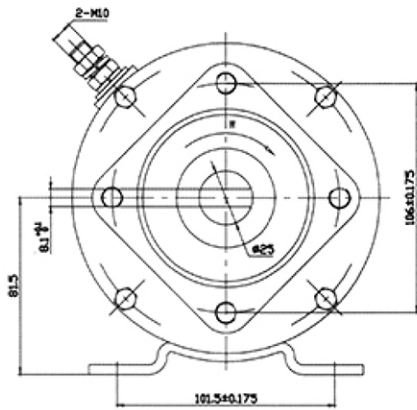
P1(W)	P2(W)	EFF(%)
3823	3232	100.0
3441	2909	90.0
3058	2586	80.0
2676	2262	70.0
2294	1939	60.0
1912	1616	50.0
1529	1293	40.0
1147	970	30.0
765	646	20.0
382	323	10.0
0	0	0.0

24V High Speed Low Torque Drive DC Motor  
Product Application: Drive Motor  
Customized manufacturing available



Model	Voltage (VDC)	No Load			Max. Torque				Rotation	Power (W)	Diameter (mm)
		Current (A)	Speed (r/min)	Toque (N.m)	Current (A)	Speed (r/min)	Eff %	Power (W)			
BHM-223A	24	17	4500	6.33	106	2700	70.50%	1800	CW	2200	114
Model	Max. Efficiency					Max. Output power					
	Eff %	Speed (r/min)	Toque (N.m)	Current (A)	Power (W)	Eff	Speed (r/min)	Toque (N.m)	Current (A)	Power (W)	
BHM-223A	73%	3000	4.2	78	1360	71%	2700	6.3	106	1800	

# BHM-XQD-3C 24V High Speed Low Torque Drive DC Motor

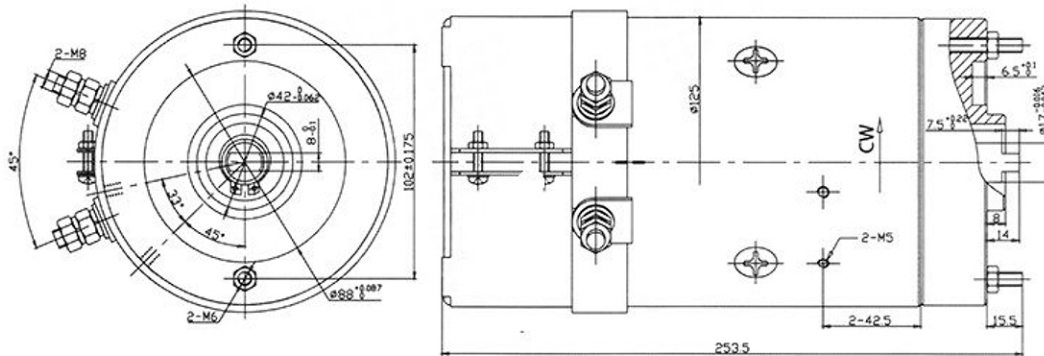


Model	Voltage (V)	Power (W)	Speed (r/min)	Rotation	O.D. (mm)	Operating Mode	Insulation
BHM-XQD-3C	24	4000	3100	CW	142	S2	F

## 24V DC Motor For Fluid Power Pump



24V DC Motor For Fluid Power Pump  
Product Application: Fluid Power Pump  
Customized manufacturing available

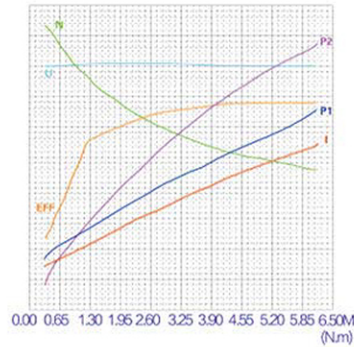


Model	Voltage (V)	Power (W)	Speed (r/min)	Rotation	O.D (mm)	Torque (N.m)	Operating Mode	Insulation
BHM-2373	24	3000	2850	CW	125	10	S3	F

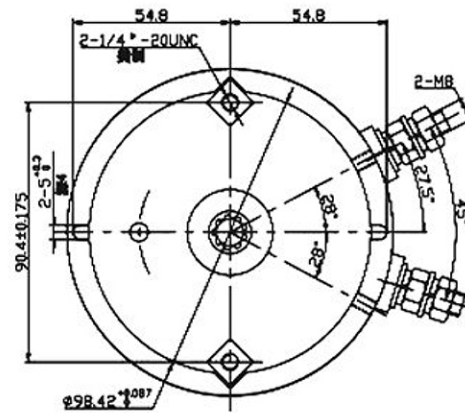
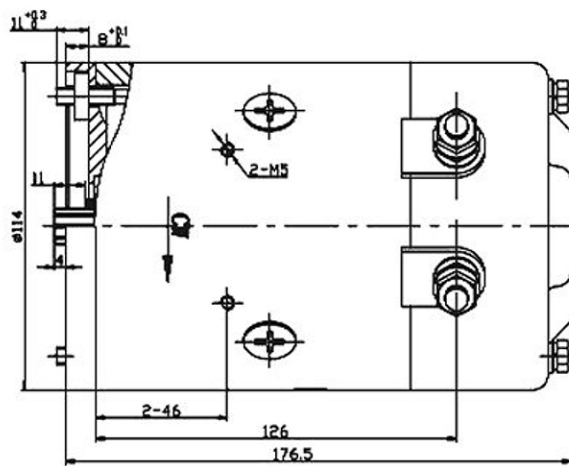
# BHM-1230 DC Hydraulic Motor



U(V)	I(A)	n(rpm)
30.00	200.0	6000
27.00	180.0	5400
24.00	160.0	4800
21.00	140.0	4200
18.00	120.0	3600
15.00	100.0	3000
12.00	80.0	2400
9.00	60.0	1800
6.00	40.0	1200
3.00	20.0	600
0.00	0.0	0



P1(W)	P2(W)	EFF(%)
4000	2000	100.0
3600	1800	90.0
3200	1600	80.0
2800	1400	70.0
2400	1200	60.0
2000	1000	50.0
1600	800	40.0
1200	600	30.0
800	400	20.0
400	200	10.0
0	0	0.0

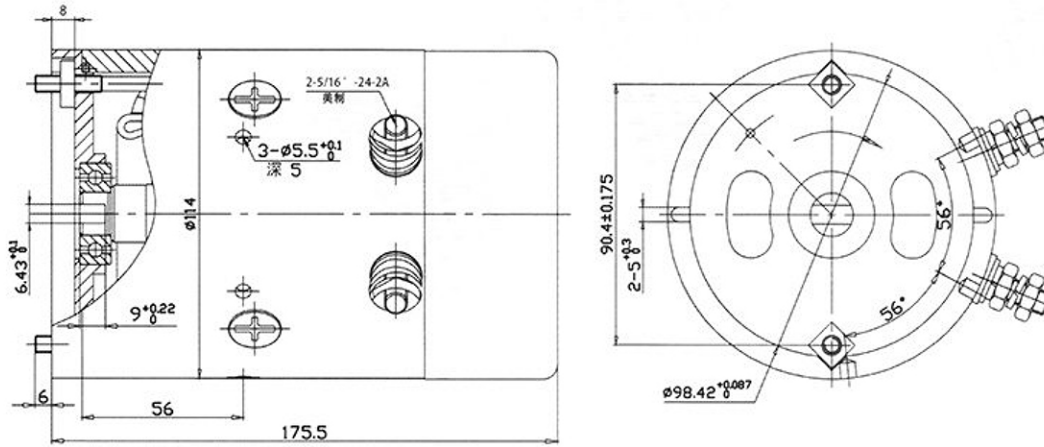


Model	Voltage (VDC)	No Load		Max. Torque					Rotation	Power (W)	Diameter (mm)
		Current (A)	Speed (r/min)	Toque (N.m)	Current (A)	Speed (r/min)	Eff %	Power (W)			
BHM-1230	12	58	7300	6	212	2350	58	1466	CW	1600	114
Model	Max. Efficiency					Max. Output power					
	Eff %	Speed (r/min)	Toque (N.m)	Current (A)	Power (W)	Eff	Speed (r/min)	Toque (N.m)	Current (A)	Power (W)	
BHM-1230	67	5950	1	74	630	58	2325	6	212	1466	

## BHM-W5692 12V DC Motor For Fluid Power Pump



12V DC Motor For Fluid Power Pump  
Product Application: Fluid Power Pump  
Customized manufacturing available

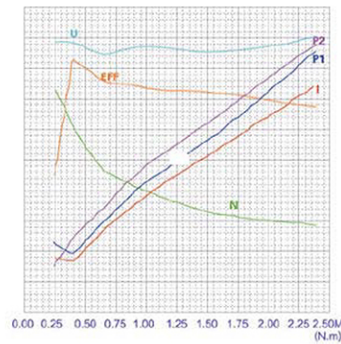


Model	Voltage (V)	Power (W)	Speed (r/min)	Rotation	O.D. (mm)	Torque (N.m)	Operating mode	Insulation Class	Protection Degree
BHM-W5692	12	1600	2500	CW	114	6	S3	F	IP54

# BHM-2973A 24V DC Motor For Fluid Power Pump

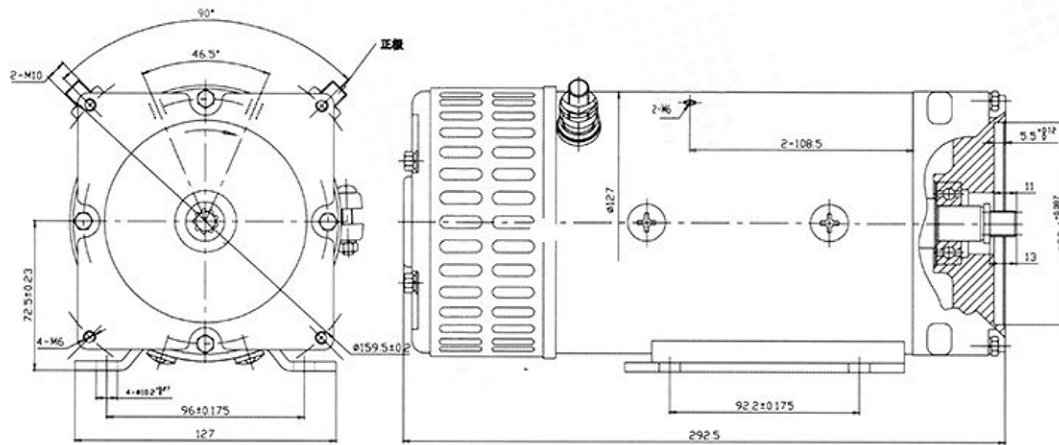


U(V)	I(A)	n(rpm)
27.00	280.0	8903
24.30	252.0	8012.7
21.60	224.0	7122.4
18.90	196.0	6232.1
16.20	168.0	5341.8
13.50	140.0	4451.5
10.80	112.0	3561.2
8.10	84.0	2670.9
5.40	56.0	1780.6
2.70	28.0	890.3
0.00	0.0	0



P1(W)	P2(W)	EFF(%)
5902	4000	100.0
5303	3600	90.0
4794	3200	80.0
4194	2800	70.0
3595	2400	60.0
2996	2000	50.0
2397	1600	40.0
1798	1200	30.0
1198	800	20.0
599	400	10.0
0	0	0.0

24V DC Motor For Fluid Power Pump  
Product Application: Fluid Power Pump  
Customized manufacturing available

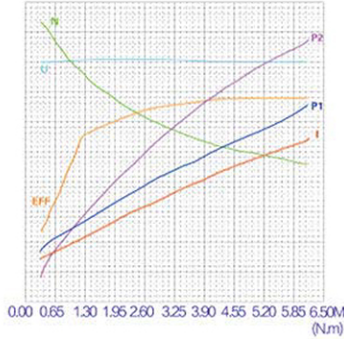


Model	Voltage (V)	Power (W)	Speed (r/min)	Rotation	O.D. (mm)	Torque (N.m)	Operation Mode	Insulation	Protection Class
BHM-2973A	24	3000	3100	CW	127	10	S2	F	IP54

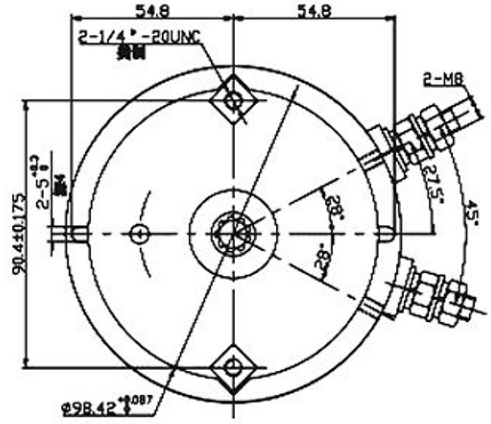
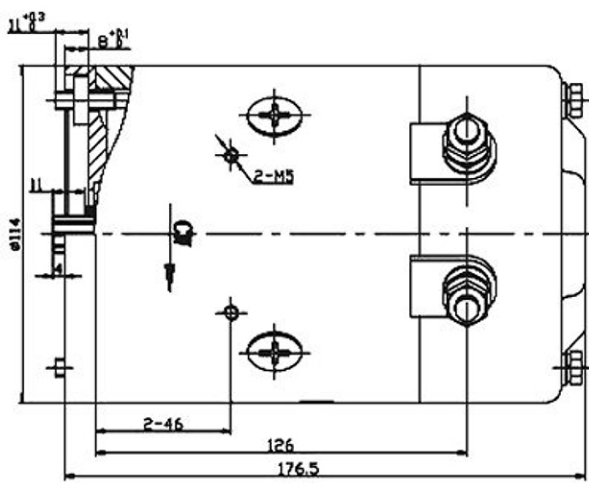
# BHM-2420 DC Hydraulic Motor



U(V)	I(A)	n(rpm)
30.00	200.0	6000
27.00	180.0	5400
24.00	160.0	4800
21.00	140.0	4200
18.00	120.0	3600
15.00	100.0	3000
12.00	80.0	2400
9.00	60.0	1800
6.00	40.0	1200
3.00	20.0	600
0.00	0.0	0



P1(W)	P2(W)	EFF(%)
4000	2000	100.0
3600	1800	90.0
3200	1600	80.0
2800	1400	70.0
2400	1200	60.0
2000	1000	50.0
1600	800	40.0
1200	600	30.0
800	400	20.0
400	200	10.0
0	0	0.0



Model	Voltage (VDC)	No Load		Max. Torque					Rotation	Power (W)	Diameter (mm)
		Current (A)	Speed (r/min)	Toque (N.m)	Current (A)	Speed (r/min)	Eff %	Power (W)			
BHM-2420	24	28	5570	6	109	2700	67	1750	CW	2200	114
Model	Max. Efficiency					Max. Output power					
	Eff %	Speed (r/min)	Toque (N.m)	Current (A)	Power (W)	Eff	Speed (r/min)	Toque (N.m)	Current (A)	Power (W)	
BHM-2420	67	2900	5	98	1575	67	2750	6	109	1750	

## BHM-W8901P 12V DC Motor For Fluid Power Pump

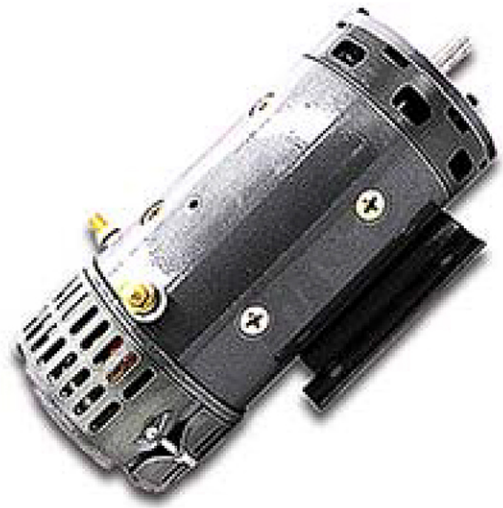


12V DC Motor For Fluid Power Pump  
Product Application: Fluid Power Pump  
Customized manufacturing available

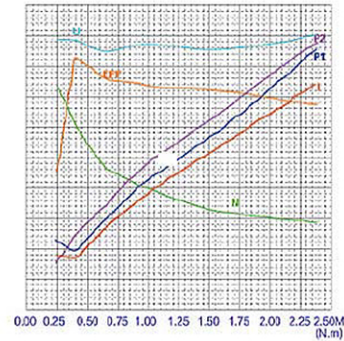
Model	Voltage (V)	Power (W)	Speed (r/min)	Rotation	O.D. (mm)	Torque (N.m)	Operating Mode	Insulation
BHM-W8901P	12	1500	2220	CW	114	6	S3	F



# BHM-2973BF 24V DC Motor For Fluid Power Pump

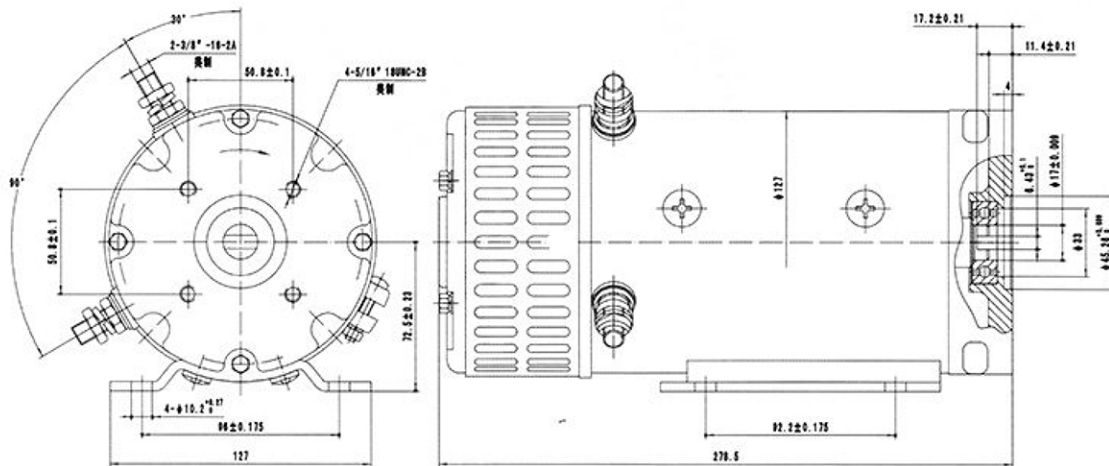


U(V)	I(A)	n(rpm)
27.00	280.0	8903
24.30	252.0	8012.7
21.60	224.0	7122.4
18.90	196.0	6232.1
16.20	168.0	5341.8
13.50	140.0	4451.5
10.80	112.0	3561.2
8.10	84.0	2670.9
5.40	56.0	1780.6
2.70	28.0	890.3
0.00	0.0	0



P1(W)	P2(W)	EFF(%)
5992	4000	100.0
5393	3600	90.0
4794	3200	80.0
4194	2800	70.0
3595	2400	60.0
2996	2000	50.0
2397	1600	40.0
1798	1200	30.0
1198	800	20.0
599	400	10.0
0	0	0.0

24V DC Motor For Fluid Power Pump  
Product Application: Fluid Power Pump  
Customized manufacturing available

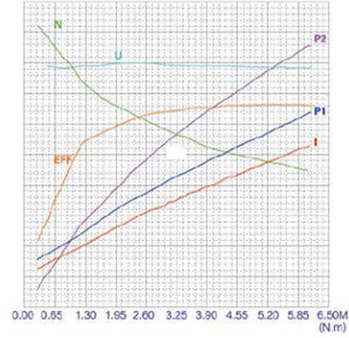


Model	Voltage (V)	Power (W)	Speed (r/min)	Rotation	O.D. (mm)	Insulation	Protection Class
BHM-2973BF	24	3000	3000	CCW	127	F	IP54

# BHM-W9405 24V DC Motor For Fluid Power Pump

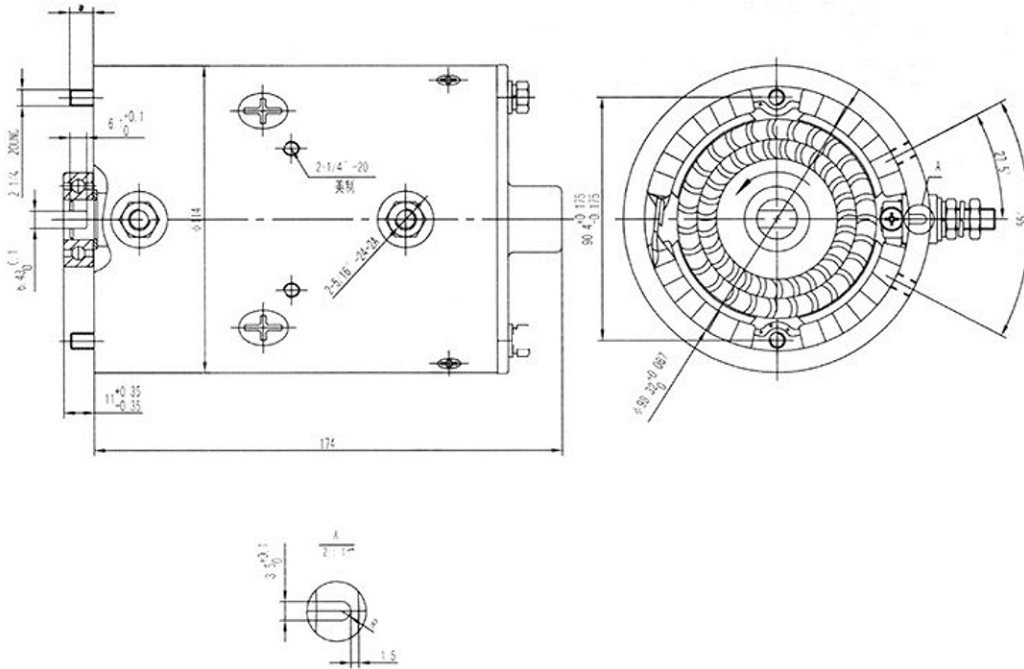


U(V)	I(A)	n(rpm)
30.00	200.0	6000
27.00	180.0	5400
24.00	160.0	4800
21.00	140.0	4200
18.00	120.0	3600
15.00	100.0	3000
12.00	80.0	2400
9.00	60.0	1800
6.00	40.0	1200
3.00	20.0	600
0.00	0.0	0



P1(W)	P2(W)	EFF(%)
4000	2000	100.0
3600	1800	90.0
3200	1600	80.0
2800	1400	70.0
2400	1200	60.0
2000	1000	50.0
1600	800	40.0
1200	600	30.0
800	400	20.0
400	200	10.0
0	0	0.0

24V DC Motor For Fluid Power Pump  
Product Application: Fluid Power Pump  
Customized manufacturing available

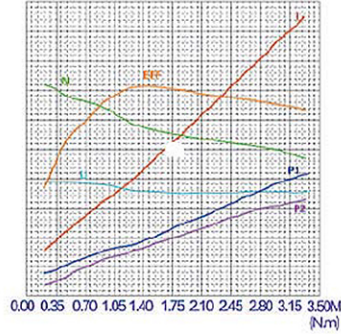


Model	Voltage (V)	Power (W)	Speed (r/min)	Torque (N.m)	Rotation	O.D. (mm)	Operating mode	Insulation Class	Protection Degree	Weight (Kg)
BHM-W9405	24	2000	2600	6	CCW	114	S3	F	IP54	7.5

# BHM-Y113 12V DC Motor For Fluid Power Pump

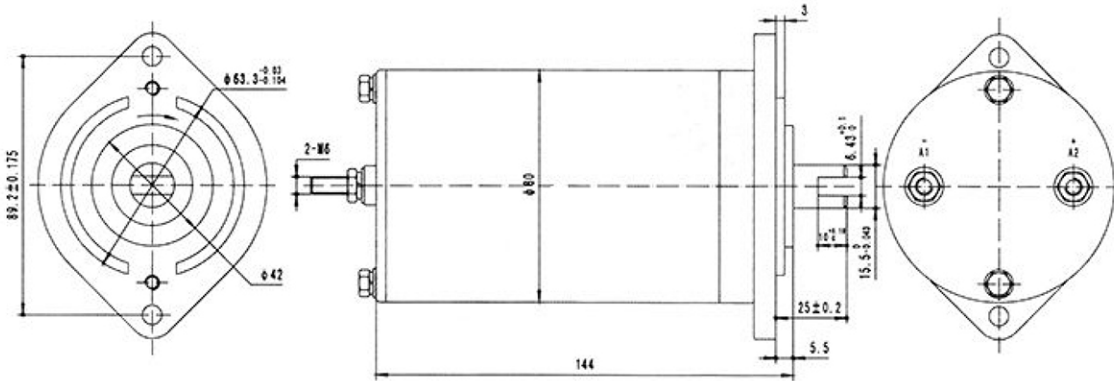


U(V)	I(A)	n(rpm)
34.00	170.0	7417
30.60	153.0	6675.3
27.20	136.0	5933.6
23.80	119.0	5191.9
20.40	102.0	4450.2
17.00	85.0	3708.5
13.60	68.0	2966.8
10.20	51.0	2225.1
6.80	34.0	1483.4
3.40	17.0	741.7
0.00	0.0	0



P1(W)	P2(W)	EFF(%)
4615	3720	100.0
4154	3348	90.0
3692	2976	80.0
3231	2604	70.0
2769	2232	60.0
2308	1860	50.0
1846	1488	40.0
1385	1116	30.0
923	744	20.0
462	372	10.0
0	0	0.0

12V DC Motor For Fluid Power Pump  
Product Application: Fluid Power Pump  
Customized manufacturing available

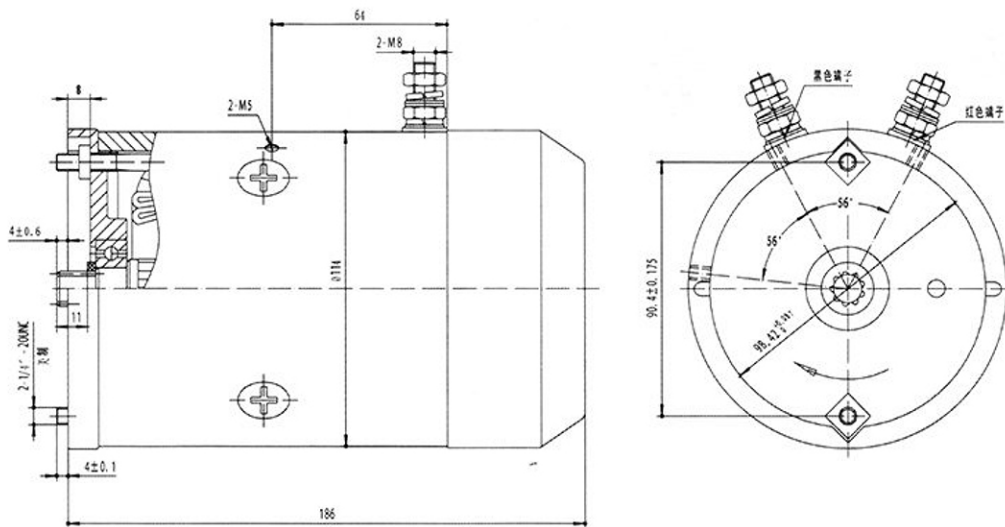


Model	Voltage (V)	Power (W)	Speed (r/min)	Rotation	O.D. (mm)	Torque (N.m)	Operating Mode	Insulation
BHM-Y113	12	800	3500	CW	80	2	S3	F

## BMM-1221 12V DC Motor For Fluid Power Pump



12V DC Motor For Fluid Power Pump  
Product Application: Fluid Power Pump  
Customized manufacturing available

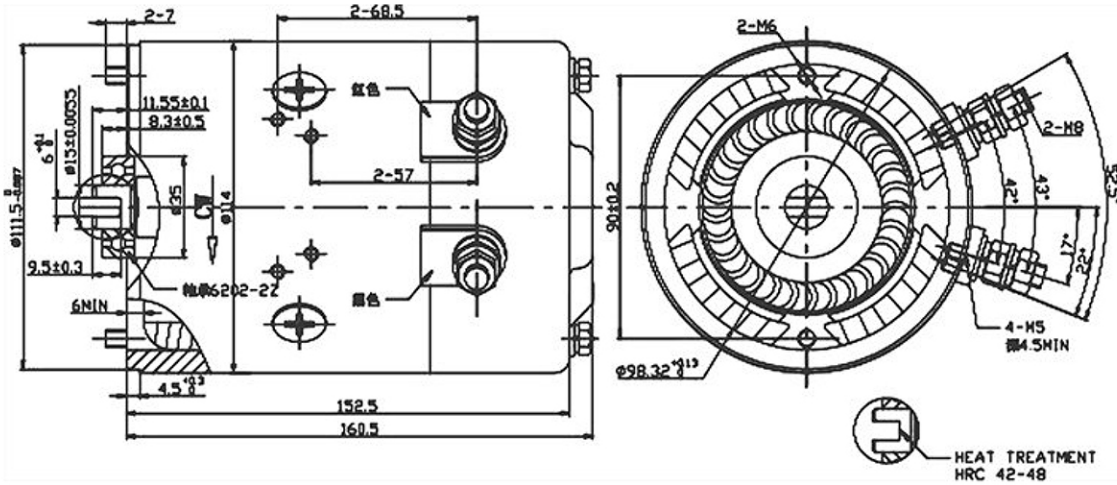
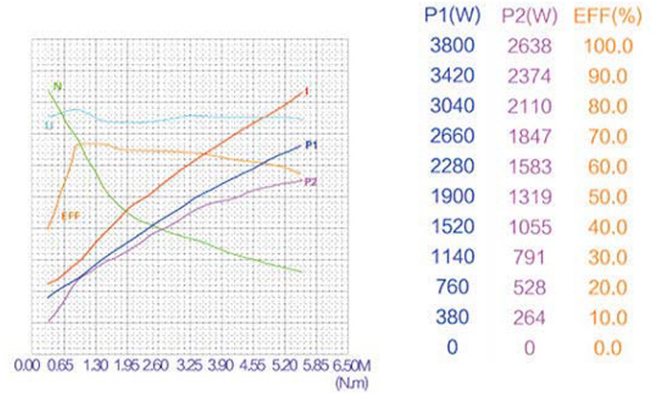


Type	Voltage (V)	Power (W)	Speed (r/min)	Rotation	O.D. (mm)	Torque (N.m)	Insulation	Protection Class	Weight (Kg)
BMM-1221	12	2000	2900	CW	114	6	F	IP54	7.5

# BHM-N1612 DC Hydraulic Motor



U(V)	I(A)	n(rpm)
30.00	200.0	6000
27.00	180.0	5400
24.00	160.0	4800
21.00	140.0	4200
18.00	120.0	3600
15.00	100.0	3000
12.00	80.0	2400
9.00	60.0	1800
6.00	40.0	1200
3.00	20.0	600
0.00	0.0	0



Model	Voltage (VDC)	No Load		Max. Torque					Rotation	Power (W)	Diameter (mm)
		Current (A)	Speed (r/min)	Toque (N.m)	Current (A)	Speed (r/min)	Eff %	Power (W)			
BHM-N1612	24	58	7300	6	212	2350	58	1470	CW	1600	114
Model	Max. Efficiency					Max. Output power					
	Eff %	Speed (r/min)	Toque (N.m)	Current (A)	Power (W)	Eff	Speed (r/min)	Toque (N.m)	Current (A)	Power (W)	
BHM-N1612	67	6000	1	74	630	58	2325	6	212	1466	